



eSolutions
Free2move

EN

INSTALLATION MANUAL

FR

MANUEL D'INSTALLATION

DE

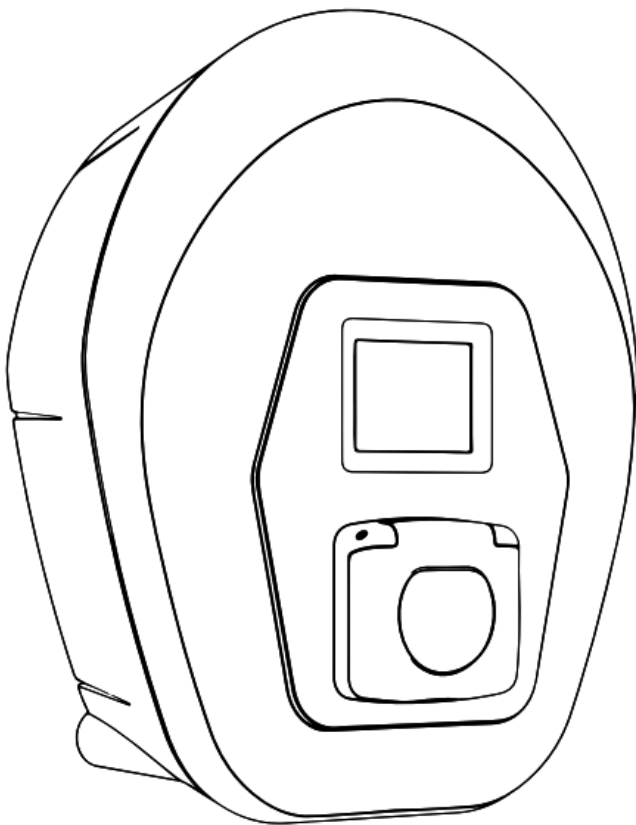
INSTALLATIONSHANDBUCH

IT

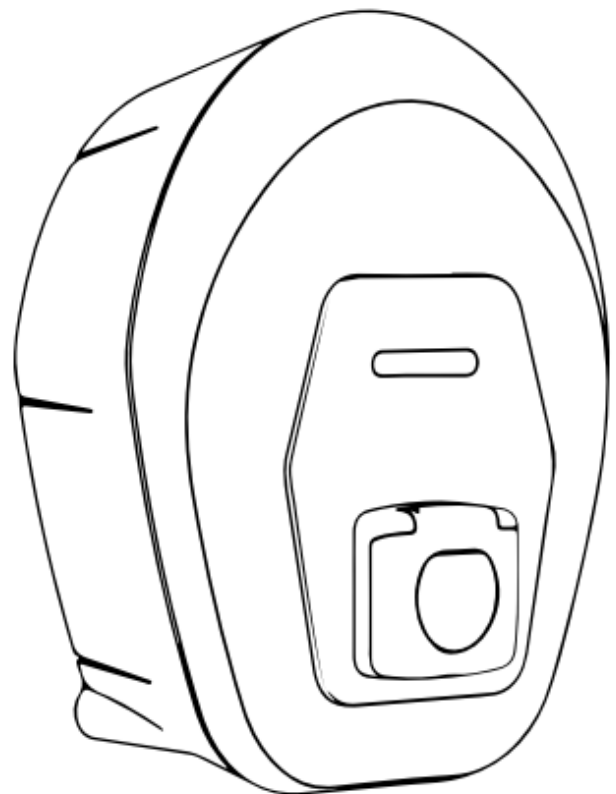
MANUALE INSTALLATORE

ES

MANUAL DE INSTALACIÓN



 **ProWallbox**

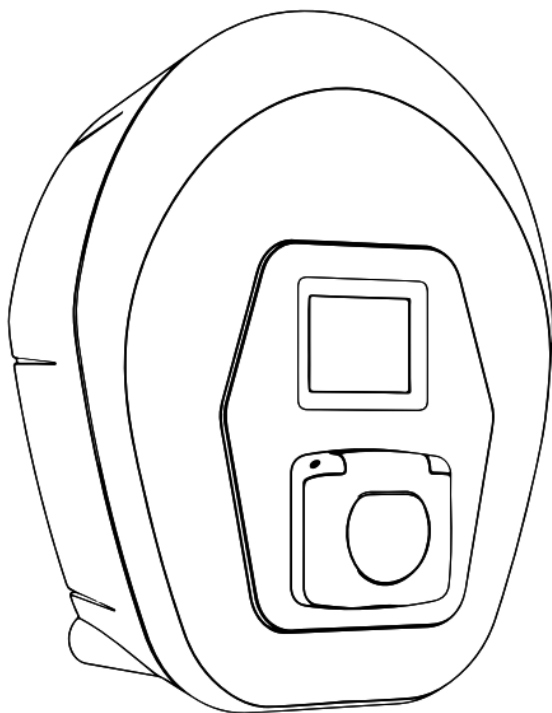


 **ProWallbox Move**

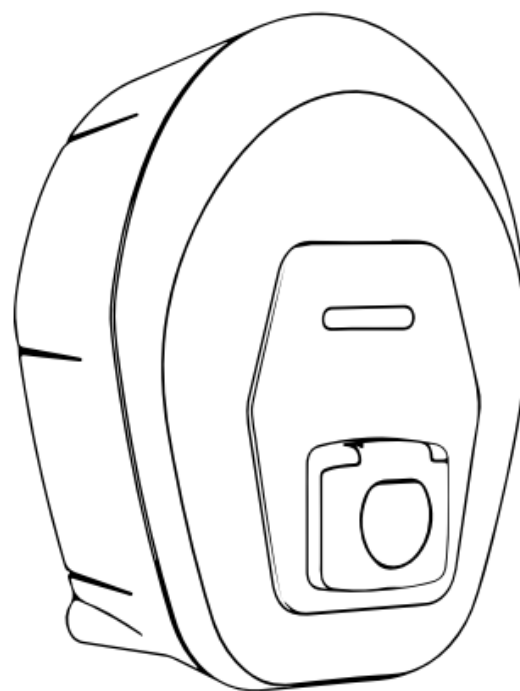


INSTALLATION MANUAL

EN



 **eProWallbox**



 **eProWallbox Move**



For safe and proper use,
follow these instructions.
Keep them for future reference.

From Firmware V3.xx
Rev.06 - 03/2025
PKM.000019

INDEX

1.	ABOUT THIS DOCUMENT	5
1.1.	Purpose of this manual	5
1.2.	Target audience	5
1.3.	Revision history	5
1.4.	Additional documentation	5
1.5.	Identification of the manufacturer	5
1.6.	Warranty and delivery conditions, Liability disclaimer	6
1.6.1.	Declaration of the manufacturer about insulation resistance tests.....	6
1.7.	Content accuracy disclaimer	7
1.8.	Glossary	8
2.	SAFETY.....	9
2.1.	Product safety	9
2.2.	Required qualifications for the installer	9
2.3.	Important safety warnings.....	10
2.4.	Safety messages.....	11
2.4.1.	Symbols and definitions	12
2.5.	Personal Protective Equipment (PPE)	13
3.	GENERAL INFORMATION	14
3.1.	eProWallbox and eProWallbox Move	14
3.2.	Fields of use.....	14
3.3.	Identification label	15
3.4.	Product dimensions and characteristics	16
3.5.	Technical specifications.....	17
3.6.	Mainboard layout.....	18
3.7.	Connection layout diagram.....	19
3.8.	Apps	20
3.8.1.	Installer App	20
3.8.2.	User App	20
4.	INSTALLATION.....	21
4.1.	Installation workflow	21
4.2.	Installation requirements.....	22
4.2.1.	Become aware of the safety criteria.....	22
4.2.2.	Check the compatibility of the installation site	23

4.2.3.	Verify the power supply.....	24
4.2.4.	Verify M/S Chargers Network requirements	25
4.2.5.	Verify the product package	25
4.2.6.	Get the required tools	26
4.3.	External Electrical Protection.....	27
4.4.	Mounting the charger on the wall.....	28
4.5.	Connection of the power supply to the charger.....	30
4.5.1.	Single-phase installation.....	32
4.5.2.	Three-phase installation.....	33
4.6.	Setting of the maximum power on rotary switch SW1	34
4.7.	Setting of DIP switch SW2	35
4.8.	PowerMeter (DPM) and MIDcounter installation	36
4.8.1.	Installing PowerMeter (DPM)	37
4.8.2.	Installing MIDcounter	41
4.8.3.	Combined installation of PowerMeter (DPM) and MIDcounter	43
4.9.	Modbus RS485 communication connections.....	44
4.9.1.	Connecting PowerMeter (DPM)	45
4.9.2.	Connecting MIDcounter	48
4.9.3.	Connecting both PowerMeter (DPM) and MIDcounter.....	50
4.9.4.	Connecting chargers in the M/S Chargers network	53
4.10.	Ethernet Connection.....	54
4.11.	System check, closing and power-on.....	55
4.11.1.	eProWallbox display screens	56
4.11.2.	eProWallbox Move LED bar.....	60
5.	COMMISSIONING	61
5.1.	Commissioning Workflow	61
5.2.	PowerMeter (DPM) and MIDcounter configuration	62
5.2.1.	Configuring Finder models.....	62
5.2.2.	Configuring Gavazzi models.....	63
5.2.3.	Energy Meter Configuration Summary	64
5.3.	Launching PowerUp	65
5.4.	Wi-Fi settings	66
5.5.	Ethernet settings.....	67
5.6.	Status	68
5.7.	Charger parameters	68
5.8.	Firmware version view and update.....	68
5.9.	Operating mode.....	69

5.10.	Max Charging Power	70
5.11.	Power Management	70
5.11.1.	Dynamic Power Management.....	71
5.11.2.	Main/Satellite.....	72
5.11.3.	Home Energy Management System (ModBus server) settings.....	73
5.12.	MIDcounter.....	74
5.13.	Country-Specific settings.....	75
5.13.1.	Load Unbalance (AT, CH, DE, NL).....	75
5.13.2.	Random Delay (UK).....	75
5.14.	Internet mobile parameters	76
5.15.	Backend OCPP configuration.....	76
5.16.	Diagnostics	77
6.	TROUBLESHOOTING.....	78
7.	CLEANING	82
8.	DISPOSAL	83
8.1.	Packaging disposal.....	83
8.2.	Product disposal	83
9.	ASSISTANCE	84

1. ABOUT THIS DOCUMENT

1.1. Purpose of this manual

This installation manual is a guide to work safely and carry out the installation of the following charger models:

eProWallbox Move (F2ME.EPROSEYYXXX)

Smart AC charging station up to 22kW, available in single-phase and three-phase. With LED interface.

eProWallbox (F2ME.EPROSCYYXXX)

Smart AC charging station up to 22kW, available in single-phase and three-phase. With Display interface, Charging pass (RFID) reader and full connectivity via 4G/LTE.

1.2. Target audience

This document is intended for use by a qualified electrical installation technician. Refer to 2.2 for the qualifications required to install the charger.

1.3. Revision history

Revision	Date	Description
04	01/2023	Corresponds with firmware version 2.9.x
05	10/2024	Corresponds with firmware version 3.xx
06	04/2025	Corresponds with firmware version 3.xx

➔ To check and update the firmware version, see 5.8.

1.4. Additional documentation

In addition to this manual, our product documentation can be viewed and downloaded by visiting the website:

https://www.esolutions.free2move.com/eu/en_gb/information-hub/

eSolutions Video resources

<https://www.youtube.com/@free2moveesolutions6/videos>

1.5. Identification of the manufacturer

The manufacturer of the charger is:

Free2move eSolutions S.p.A.

Piazzale Lodi, 3

20137 Milan – Italy

www.esolutions.free2move.com

1.6. Warranty and delivery conditions, Liability disclaimer

The warranty details are described in the Terms and Conditions of Sale included with the purchase order for this product and/or in the packaging of the product.

Free2move eSolutions S.p.A. assumes no responsibility for failure to comply with the instructions for proper installation and cannot be held responsible for systems upstream or downstream of the equipment supplied.

Free2move eSolutions S.p.A. cannot be held responsible for defects or malfunctions deriving from: improper use of the charger; deterioration due to transport or environmental conditions or installation by unqualified persons.

NOTICE

Any modification, manipulation or alteration of the hardware or software not expressly agreed with the manufacturer will immediately void the warranty.

1.6.1. Declaration of the manufacturer about insulation resistance tests

At the best of our knowledge, hereby we declare that the products eProWallbox and eProWallbox Move, hereafter "our products", **include overvoltage protection devices and other circuits that may be damaged by the insulation resistance verification** described in IEC 60364-6 clause 6.4.3.3.

According to national regulations of various countries (for example, Art 86 del D. Lgs. 81/08 in Italy), it may be required to verify periodically the electrical installation, performing a series of test including insulation resistance tests. **During the tests, our products must be disconnected before carrying out the insulation resistance test**, as mentioned in IEC 60364-6 clause 6.4.3.3 and national derived regulation (for example, CEI 64-8 clause 6.4.3.3 in Italy).

We furthermore inform you that:

- Our products have been assessed according to IEC 61851-1:2017 resulting fully compliant.
- IEC 61851-1:2017 includes insulation resistance type test at clause 12.5.
- Our products are subjected to the insulation resistance test as a routine test according to IEC 61439-1: 2020 clause 11.9 during manufacturing process.

Disclaimer

Free2move eSolutions S.p.A. cannot be held responsible for any insulation fault that may occur in the circuit supplying our products.

Free2move eSolutions S.p.A. cannot be held responsible for any damage to our products that are subjected to insulation resistance testing in the field.

1.7. Content accuracy disclaimer

This document has been carefully checked by the manufacturer Free2move eSolutions S.p.A., but oversights cannot be completely ruled out. If any errors are noted, please inform Free2move eSolutions S.p.A (see section 9).

Except for explicit contractual obligations, under no circumstances may Free2move eSolutions S.p.A. be held liable for any loss or damage resulting from the use of this manual, or from installation of the equipment.

Free2move eSolutions S.p.A. will not be held responsible for any damage directly or indirectly caused to people, things or animals due to the failure to comply with all the provisions set out in this Manual, and the warnings regarding the installation and maintenance of the charger.

Free2move eSolutions S.p.A. reserves all rights to this document, the article and the illustrations it contains. The reproduction, whole or in part, disclosure to third parties or use of its contents is prohibited without the prior written consent of Free2move eSolutions S.p.A.

Any information in this manual may be changed without prior notice and does not represent any obligation on the part of the manufacturer. Images in this manual are for illustrative purposes only and might differ from the delivered product.

This document was originally written in English. In the event of any inconsistencies or doubts, please ask Free2move eSolutions S.p.A. for the original document.

1.8. Glossary

Term	Description
CIDR notation	CIDR notation is written as an IP address (see IPv4) followed by a slash (/) and the number of bits of the subnet mask. For example, 192.168.1.1/24 means address 192.168.1.1 and subnet mask 255.255.255.0.
CP	Control Pilot: Pilot for pre-insertion signaling of Type 2 EV connectors.
CPMS	Charge Point Management System: Management system supporting advanced energy management and enhanced security.
DHCP	Dynamic Host Configuration Protocol: A network management protocol used to automatically assign IP addresses to devices on a network.
DNS	Domain Name System: A system managed by a DNS server that translates human-readable domain names into IP addresses.
DPM	Dynamic Power Management
EMS	Energy Management System: A system that provides energy optimization services. EMS is connected to the charger via Modbus RS485 or Ethernet TCP/IP.
EV	Electric Vehicle
IP	Internet Protocol: The primary protocol used to move data packets across the Internet. See also IPv4.
IPv4	IPv4 is based on a 32-bit label assigned to each networked device. IPv4 addresses are typically written in a dotted decimal notation, which consists of four numbers separated by dots (for example, 192.168.1.1).
M/S	Main/Satellite
Modbus	A popular communication protocol developed for industrial use to enable communication between electronic devices.
OCPP	OCPP (Open Charge Point Protocol): An open standard enabling communication and interoperability between EV charging stations and management systems (see CPMS).
PP	Proximity Pilot: Pilot for post-insertion signaling of Type 2 EV connectors.
PV	Photovoltaics
PPE	Personal Protective Equipment
RCM	Residual Current Monitor
RS485	Popular standard that defines the electrical characteristics of drivers and receivers for use in multipoint serial communications systems.
SOM	System On Module: The plug-in module that contains the core computing components
TCP/IP	Transmission Control Protocol/Internet Protocol: A set of communication protocols used to connect network devices on the Internet, with TCP providing reliable transmission and IP handling addressing and routing (see IP).
WEEE	Waste from Electrical and Electronic Equipment

2. SAFETY

2.1. Product safety

This manual contains important safety instructions that must be followed during installation and maintenance of the product. Please keep this manual for reference throughout the life of the product, as it contains essential information for safe and effective use.

Note that, if the charger is used in a manner not specified in this manual, the protection provided by the charger may be impaired.

Installation must be carried out by qualified personnel (see 2.2). A dedicated, state-of-the-art electricity supply system must be designed and installed, and the system must be certified in compliance with local regulations and the energy supply contract.

As an installation and maintenance technician, you are required to read and fully understand this manual, and to strictly follow the instructions it contains. Free2move eSolutions S.p.A. cannot be held liable for any damage caused to persons and/ or property, or to the charger, if the conditions described in this document are not complied with.



WARNING

Installation must be carried out in accordance with the regulations in force in the country of installation, and in compliance with all safety regulations for carrying out electrical work.

2.2. Required qualifications for the installer

The installer must be qualified, having received appropriate training and demonstrated the necessary skills and knowledge in the installation, operation, and maintenance of electric vehicle supply equipment, in accordance with all applicable regulations.

Qualified installers can identify imminent and potential hazardous situations and act safely.

A basic knowledge of IP networking is necessary for the Ethernet TCP/IP configuration.

2.3. Important safety warnings

For your safety and the safety of others, it is important that you read and understand the following safety warnings before installing and using the charger.



DANGER

Risk of electric shock and fire. Installation must be carried out in accordance with the regulations in force in the country of installation, and in compliance with all safety regulations for carrying out electrical work.

- Before installing or using the charger, make sure that none of the components have been damaged. Damaged components can lead to electrocution, short circuits, and fire due to overheating. A device with damage or defects must not be used.
- Install the charger away from petrol cans or combustible substances in general.
- Before installing the charger, ensure that the main power source has been disconnected.
- The charger must be connected to a mains network in compliance with local and international standards, and all technical requirements indicated in this manual.
- Children or other people not able to gauge risks related to the installation and use of the charger could suffer severe injury or put their lives at risk.
- Pets or other animals must be kept away from the device and packaging material.
- Children must not play with the charger, accessories or packaging provided with the product.
- The only parts that can be removed from the charger are the external frame and removable cover.
- The charger can only be used with an energy source.
- Necessary precautions to ensure safe operation with Active Implantable Medical Devices must be taken. To determine whether the charging process could adversely affect the medical device, please contact its manufacturer.

2.4. Safety messages

To ensure safety and prevent damage, this manual contains several precautionary texts with specific instructions. These instructions are highlighted in special text boxes and are accompanied by a general hazard symbol (except for NOTICE and NOTE, which are not associated with specific hazardous situations). These precautionary texts are provided to ensure the safety of personnel performing the operations described and to prevent damage to the charger and/or property.



DANGER

Failure to comply with the instruction will result in an imminent hazardous situation which, if not avoided, will result in instant death, or serious or permanent injury.



WARNING

Failure to comply with the instruction will result in a potentially hazardous situation which, if not avoided, could result in death or severe injury.



CAUTION

Failure to comply with the warning will result in a potentially hazardous situation which, if not avoided, could cause minor damage to the charger.

NOTICE

Provides instructions concerning the use of conduct necessary to handle the operations not associated with possible physical injuries.

NOTE: Provides additional information to supplement instructions provided.

2.4.1. Symbols and definitions



General warning



You must consult the original manual and additional documentation



Prohibition or restrictions



Although they are not made of materials that are harmful to health, the products should not be disposed of along with household waste but must be collected separately, since they are made of materials that can be recycled



Electrical voltage hazard





Hot surfaces hazard

2.5. Personal Protective Equipment (PPE)

Personal Protective Equipment (PPE) is any equipment intended to be worn by workers to protect them against one or more hazards that may threaten their health or safety at work. It includes any device or accessory designed for this purpose.

As all PPE listed in this manual are designed to protect personnel against health and safety hazards, we recommend strict compliance with the instructions given in the various sections of this manual.

The following is a list of PPE to be used to protect you from the residual risks associated with the installation and maintenance operations described in this document.

Symbol	Meaning
	Wear protective gloves
	Wear anti-static footwear



WARNING

As the installation and maintenance technician, it is your responsibility to read and understand local regulations and evaluate the environmental conditions of the installation site to determine if additional PPE is required.

3. GENERAL INFORMATION

3.1. eProWallbox and eProWallbox Move

eProWallbox and **eProWallbox Move** are AC chargers for electric and hybrid plug-ins vehicles, ideal for semi-public and residential applications. They are available in three-phase or single-phase configurations and are equipped with a type 2 socket.

They can charge electric vehicles up to 22 kW in three-phase or up to 7.4 kW in single-phase.

They include connectivity options such as remote monitoring via the Charge Point Management System (CPMS). The **eProWallbox** model (see 1.1) is equipped with a SIM card to connect to the mobile network and an RFID card reader to authorize charging.

Multiple chargers can share the same power connection point and dynamically balance the load using an RS485-based Main/Satellite (M/S) Chargers Network.

This document describes how to install the charger. A description of its characteristics is provided to identify key components and set out the technical terms used in this manual.

NOTICE

For instructions on how to use the charger, please refer to the User Manual (see 1.4)

3.2. Fields of use

The products described in this document are chargers for electric vehicles. The following classification (according to IEC 61851-1) identifies their characteristics:

- Power supply: permanently connected to the AC power supply grid
- Output: Alternate Current
- Environmental conditions: indoor / outdoor use
- Fixed installation
- Protection against electric shock: Class I
- EMC Environment classification: Class B
- Charging type: Mode 3 according to the IEC 61851-1 standard
- Optional function for ventilation not supported

NOTICE

Free2move eSolutions S.p.A. disclaims all liability for damages of any kind resulting from incorrect or careless use of the product.

3.3. Identification label

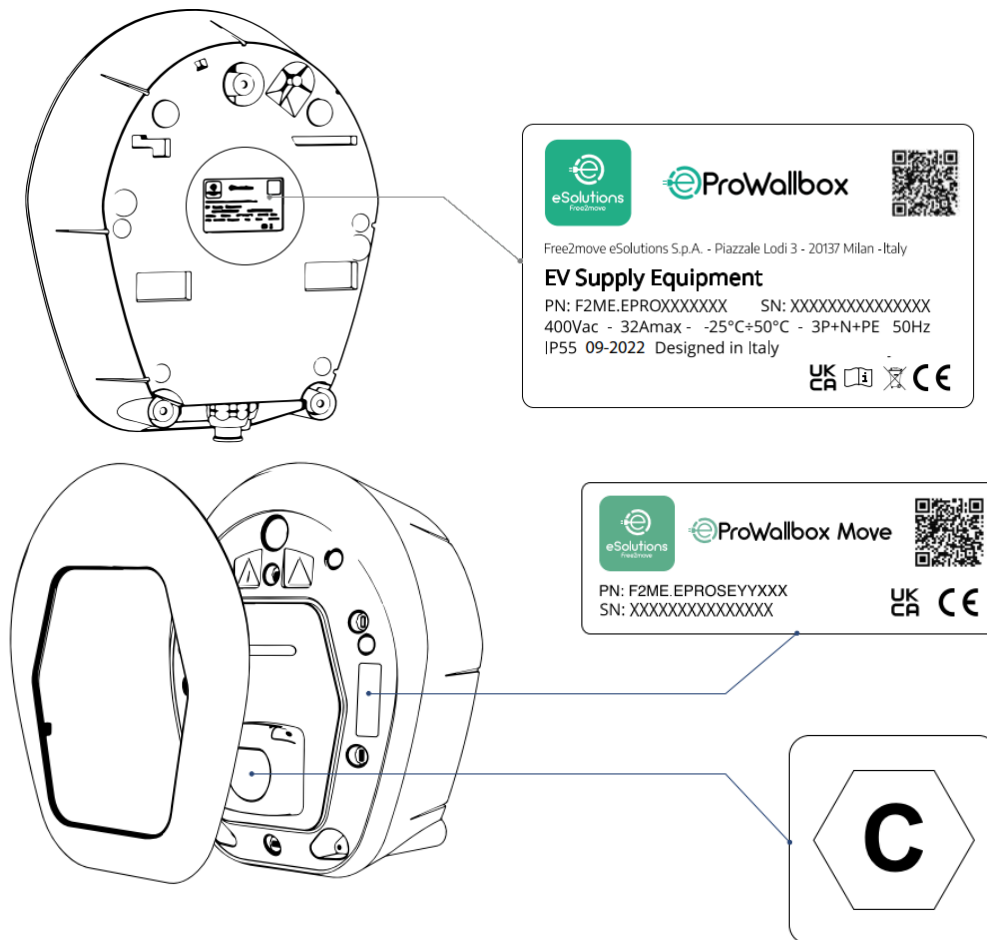
The product information on the label is shown in the figure below (**eProWallbox Move** model in the example).

NOTE: The details may differ from those shown in the figure, depending on the version of the product.

The Part Number (PN) and Serial Number (SN) can also be found:

- On the packaging
- In the **User App** (see 3.8), after pairing the charger to the user's profile
- In the installer App **PowerUp** (see 3.8), after pairing with QR code

The QR code is the same on both labels and is used to complete the installation in the installer App.



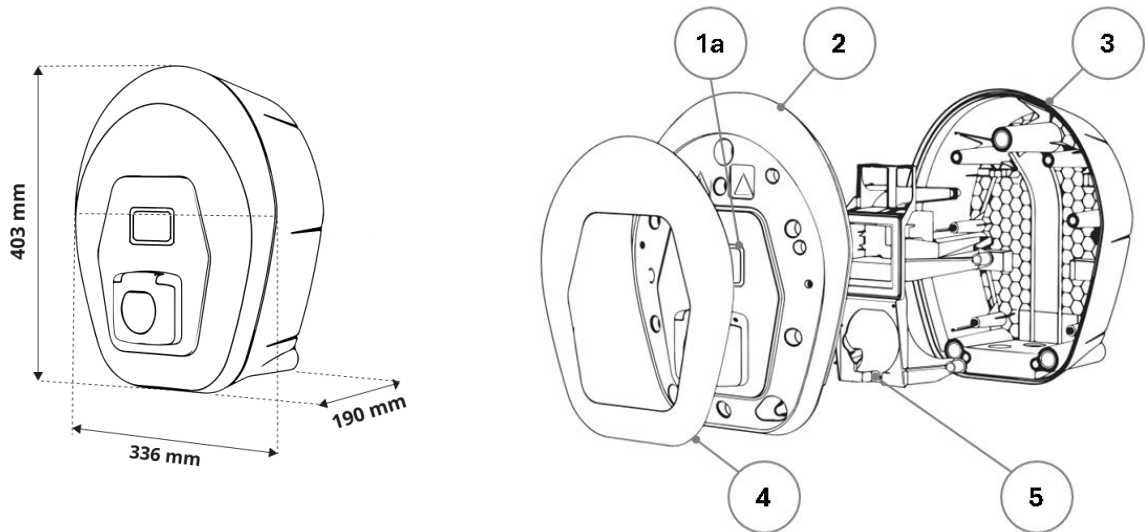
The C label indicates the type of socket.

AC EN 62196-2 TYPE 2 Plug and socket ≤ 480 V RMS

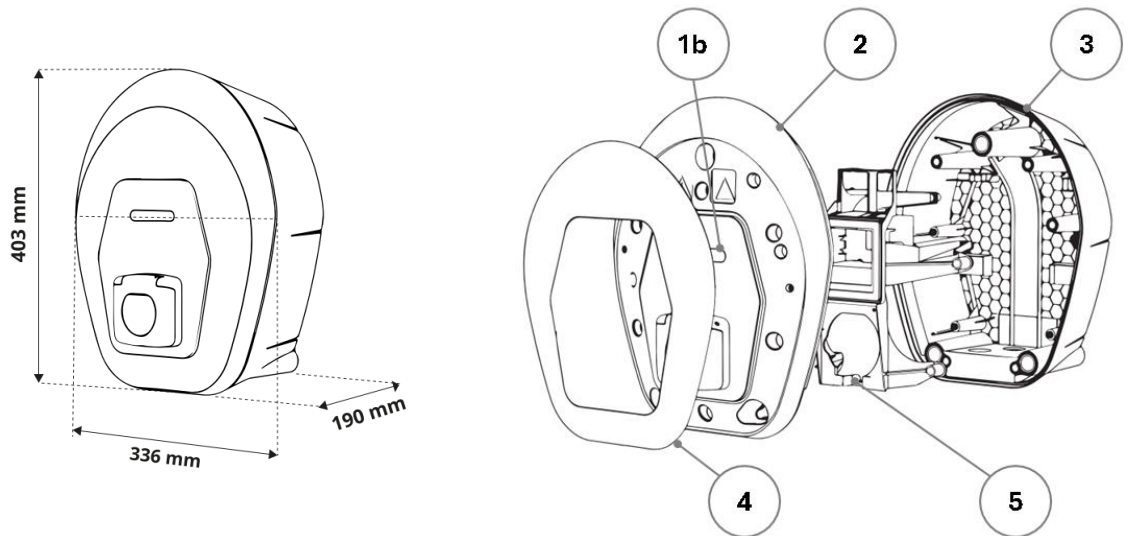


3.4. Product dimensions and characteristics

eProWallbox



eProWallbox Move



- 1a) Display
- 1b) LED bar
- 2) Cover
- 3) Base
- 4) External frame
- 5) Middle base

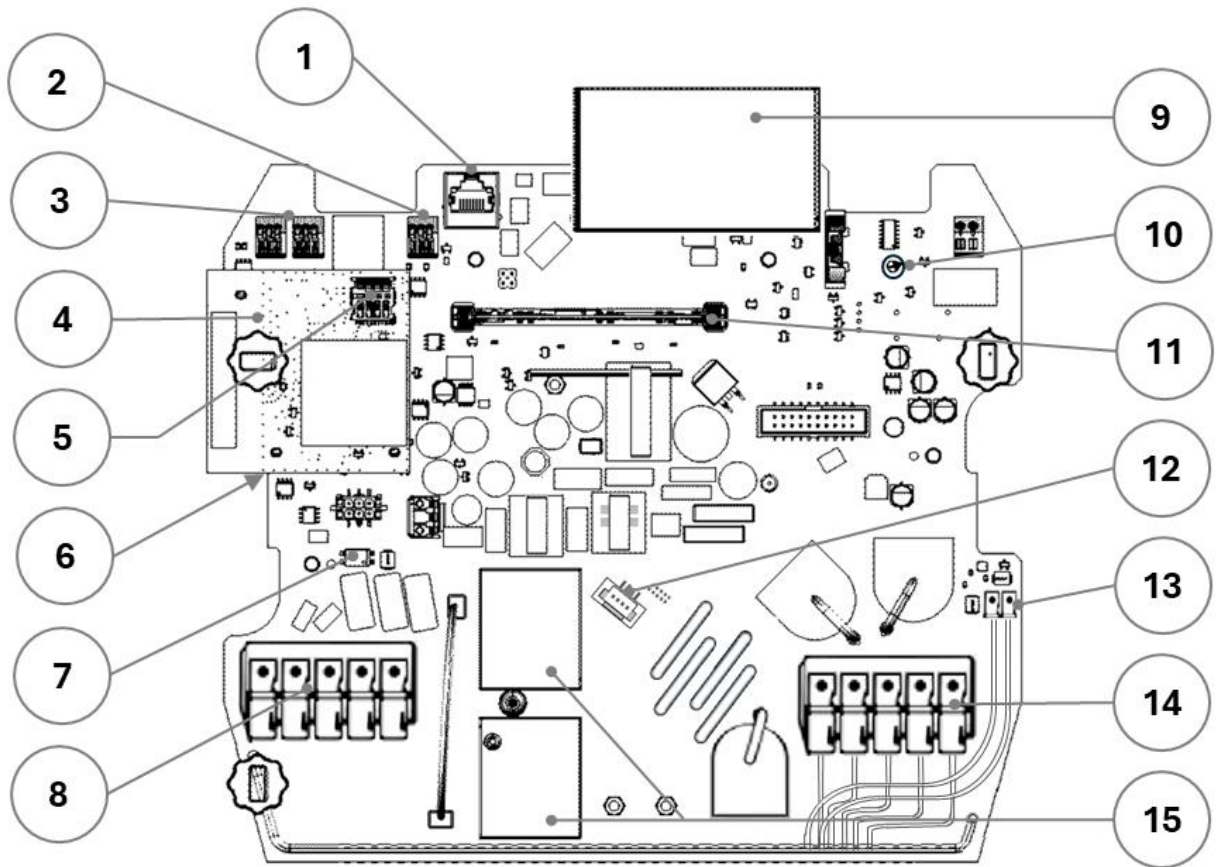
3.5. Technical specifications

	eProWallbox	eProWallbox Move
Recharging Mode	Mode 3 - case B	
Connector Standard	IEC 62196-2 Type2	
Connection features	Socket with lid and internal shutter	
Marking	CE, UKCA, TUV	
General Specifications	eProWallbox	eProWallbox Move
Dimensions [mm]	403x336x190	
Weight [kg]	~ 3.8 (without cable)	
Protection degree	IP55 (IEC 60529)	
Impact protection rating	IK08 (IEC 62262)	
Housing	UV resistant plastic	
Standard colors	Black - RAL 9005 White - RAL 9003	
Custom colors	Optional	
Custom branding	Optional	
Electrical Specifications	eProWallbox	eProWallbox Move
Power [kW]	Up to 7.4 single-phase Up to 22 three-phase	
Voltage [V] / Frequency [Hz]	230 / 50-60 single-phase 400 / 50-60 three-phase	
Current [A]	Up to 32	
Electrical installation	3P+N+PE, 32A, 400 V / 50-60 Hz; P+N+PE, 32A, 230V / 50-60 Hz	
AC power system	TT, TN, IT	
Safety and Operation	eProWallbox	eProWallbox Move
Operating Temperature range [°C]	-25/+50 (without direct exposure to sunlight)	
Overheating protection	With power derating	
Humidity Resistance	< 95% (non-condensing)	
Housing fire ratings	UL94 V-0 GWFI 960	
Overvoltage category	OVC III	
Residual current monitoring	6 mA DC sensitive RCM device included for DC-leakage	
Maximum installation height [m]	2000 a.s.l.	
Mounting	Wall or pedestal	
Connectivity and Features	eProWallbox	eProWallbox Move
4G LTE (*)	For OCPP	Not available
RFID reader (*)	For Charging Pass (RFID) authorization	Not available
HMI	3.5" TFT touchscreen display	RGB LED bar
RS485 Modbus RTU	2 communication ports to EMS and M/S Chargers Network	
Bluetooth LE 5.0	For User and Installer mobile Apps	
Wi-Fi	2.4 GHz	
Ethernet	100 Mbps for OCPP and Modbus TCP/IP	
Backend communication	OCPP 1.6j	
Firmware over-the-air update	Through OCPP	
Energy Meter (built-in)	Internal not MID, Optional External MID	
Load management	Dynamic Power Management with optional external PowerMeter (DPM). Static load management for M/S Chargers Network	
Current phase unbalancing detection	Configurable via App	
Connection to backend (CPMS)	Default CPMS or configurable 3rd-party URL	
M/S Chargers network	Multiple Chargers share the same power connection point and dynamically balance the load.	
Solar Photovoltaic (PV) compatibility	Photovoltaic integration through Solar Charging function on the App	

(*) eProWallbox model only, not available on the eProWallbox Move model.

3.6. Mainboard layout

The following illustration shows the main components on the mainboard:

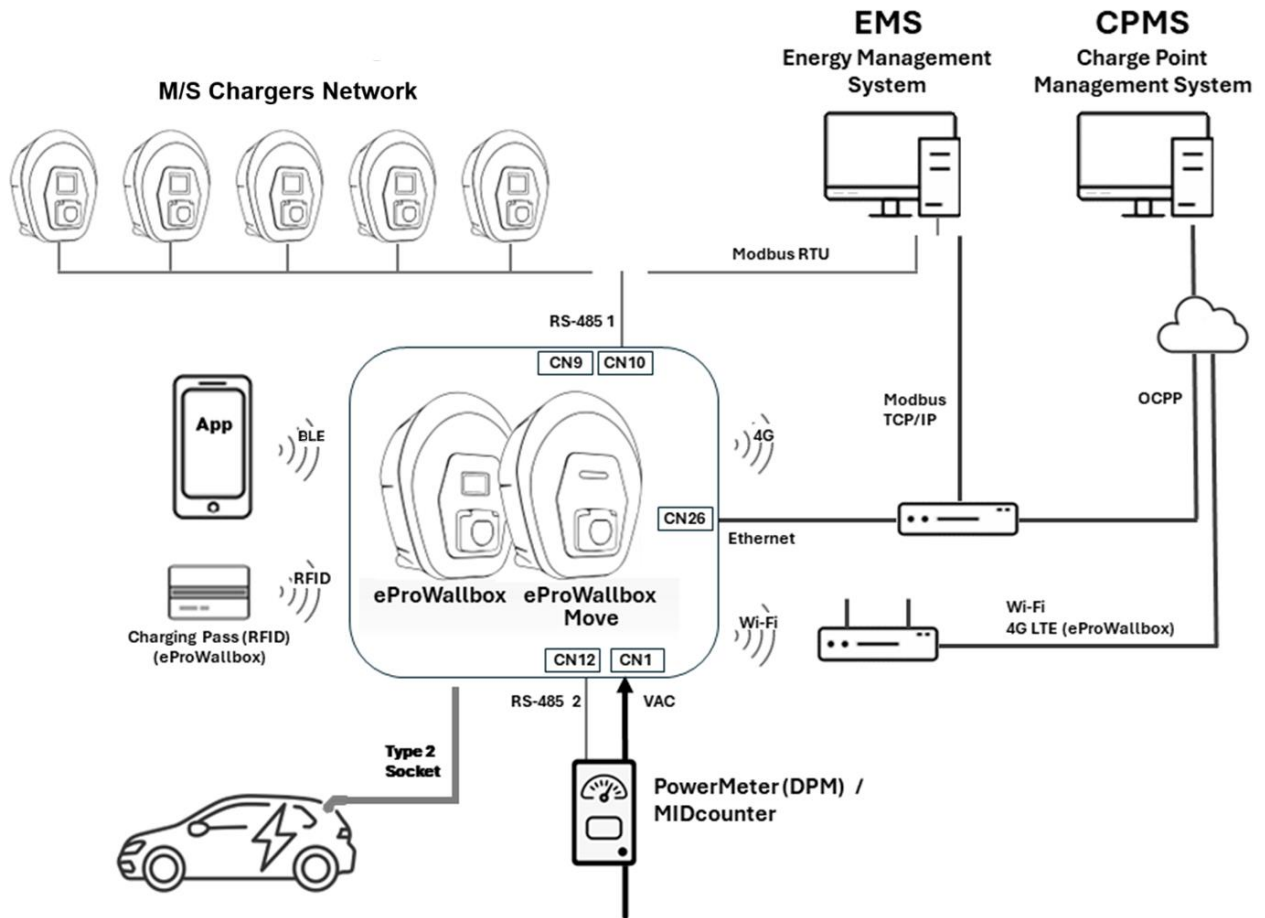


- | | |
|---|---|
| 1) CN26 - Ethernet port | 9) RFID Reader (*) |
| 2) CN12 - RS485 (only meters) | 10) SW1 - Rotary switch |
| 3) CN9-CN10 - RS485 | 11) System On Module (SOM) |
| 4) 4G LTE board (*) | 12) CN27 - Residual Current Monitor connector |
| 5) SIM Card (*) | 13) PP/CP |
| 6) Wi-Fi and BLE (on mainboard, under 4G LTE board) | 14) Power output contacts |
| 7) SW2 - DIP switch (may not be present) | 15) Relays |
| 8) CN1 - Power input contacts | |

(*) **eProWallbox** model only. Not available on the **eProWallbox Move** model.

3.7. Connection layout diagram

The following image shows the charger connections.



3.8. Apps

The technical configuration and the operation of the charger is performed via the following mobile Apps, available on both Google Play™ and Apple Store®.

3.8.1. Installer App

Download
PowerUp



3.8.2. User App

eSolutions
Charging App



4. INSTALLATION

4.1. Installation workflow

To install the charger, follow these steps. They are then described in detail in the following sections.

- 1) Fulfill the installation requirements, which include multiple steps. See 4.2.
- 2) Check/install external electrical protection. See 4.3.
- 3) Mount the charger on the wall. See 4.4.
- 4) Connect the power supply. See 4.5.
- 5) Set the maximum power on Rotary Switch SW1. See 4.6.
- 6) Set DIP switch SW2. See 4.7.
- 7) If required, install PowerMeter (DPM) and MIDcounter. See 4.8.
- 8) If required, wire the RS485 connections. See 4.9.
- 9) If required, wire the Ethernet connection. See 4.10.
- 10) Perform a system check, close the system, and power it on. See 4.11.
- 11) Proceed with the commissioning steps. See 5.1.

4.2. Installation requirements

4.2.1. Become aware of the safety criteria



DANGER

Before carrying out any work, switch off the power supply.



DANGER

Failure to observe the instructions in this manual may cause severe damage to both the product and the installer. In the most serious cases, injuries may be fatal.

Please read this manual carefully before installing, switching on and using the product.



DANGER

Check to see if you qualify as described in 2.2.

Applicable standards and regulations



Before installing the charger, you must comply with the local restrictions specified in IEC 61851-1. It is also your responsibility to verify that these regulations are still in effect and to check for any additional local regulations that may restrict the use of this product in the country of installation.



DANGER

Installation must meet IEC 60364-7-722 requirements.

Required PPE for the installation tasks

	Wear protective gloves
	Wear anti-static footwear

4.2.2. Check the compatibility of the installation site

Before proceeding with the installation, make sure that:

- Ensure that environmental conditions (such as temperature, altitude, and humidity) comply with the product specifications (see 3.5).
- The installation area must be sufficiently ventilated to ensure proper heat dispersion.
- There must be sufficient space for the charging cable to be moved properly. It must also allow the user to perform routine or non-routine maintenance safely.
- The work area is considered a hazardous area, and it must be adequately cordoned off to prevent access by people not involved in the installation.
- Do not install the charger in rain, fog, or high humidity.

NOTE: It is necessary to consider the space needed to park the electric vehicle to be charged.

The charger must not be installed in places:

- Characterized by potentially explosive atmospheres (according to directive 2014/24/EU)
- Used for escape routes
- Where objects may fall on it (e.g., suspended ladders or car tires) or where it is likely to be hit and damaged (e.g., near a door or in vehicle service areas)
- Where there is a risk of pressurized water jets (e.g., car washes, power washers or garden hoses).



CAUTION

Make sure that there are no heat sources, flammable substances, or electromagnetic sources in the installation area.

NOTICE

If the charger connectivity is needed, make sure that the chosen area is covered by Wi-Fi coverage.



CAUTION

The charger is designed to withstand direct sunlight and bad weather conditions. However, to extend its life and to limit thermal derating, it is recommended that the unit is protected from direct sunlight and rain by a canopy.

The following indications must be followed when choosing the position to install the charger:

- Avoid walls which are not stable and secure
- Avoid walls made of flammable material or covered in flammable material (e.g., wood, carpet, etc.)
- Avoid direct exposure to the rain to ensure that bad weather does not cause any deterioration
- Ensure sufficient ventilation for the charger – do not mount it inside a recess or a cabinet
- Avoid accumulation of heat - keep the charger away from heat sources
- Avoid exposure to water infiltration
- Avoid excessive leaps in temperature

4.2.3. Verify the power supply



WARNING

The design of the entire electrical system to which the charger is to be connected must first be determined by a qualified professional.

The electrical data of the charger, which should be consulted to correctly size the power system, is shown on the identification label (see 3.3).



WARNING

Do not install the charger with wet hands.



WARNING

Under no circumstances should a jet of water be directed at the battery charger.

4.2.4. Verify M/S Chargers Network requirements

The M/S (Main/Satellite) Chargers Network (see also **Error! Reference source not found.**) allows one Main charger to coordinate up to five satellite chargers via an RS485 communication link. The coordination ensures balanced operation by dynamically distributing the available power evenly to the connected chargers, based on the maximum power capacity at the common connection point.

When sizing the group of chargers in network, **be sure to have the minimum power available at the connection point** as shown below:

- For a single-phase installation, the minimum power required is 2 kW per networked charger.
- For a three-phase installation, the minimum power required is 6 kW per networked charger.

Example: For a group of 2 single-phase chargers, a minimum of 4 kW is required.

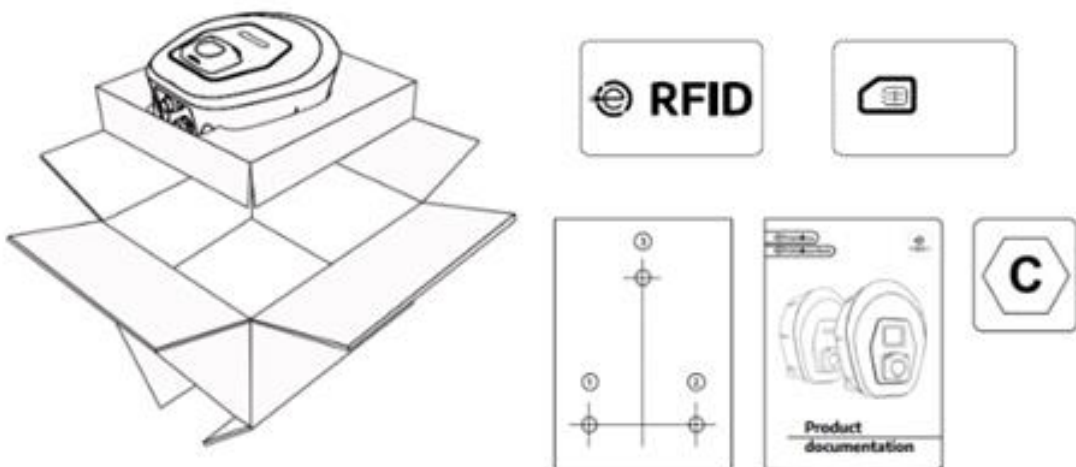
4.2.5. Verify the product package

Check that the packaging is intact and free of obvious damage. If the charger and/or its packaging are damaged, stop the installation process and call for assistance (see section 9).

The package includes the following items:

- 1 Charging pass (RFID) (**eProWallbox** model only, P/N F2ME.EPROSCYYXXX).
- 1 SIM Card installed (**eProWallbox** model only, P/N F2ME.EPROSCYYXXX).
- 1 drilling template for installation
- Product documentation

NOTE: The package of the **eProWallbox Move** model (P/N F2ME.EPROSEYYXXX) does not include the Charging pass (RFID) and the SIM card.

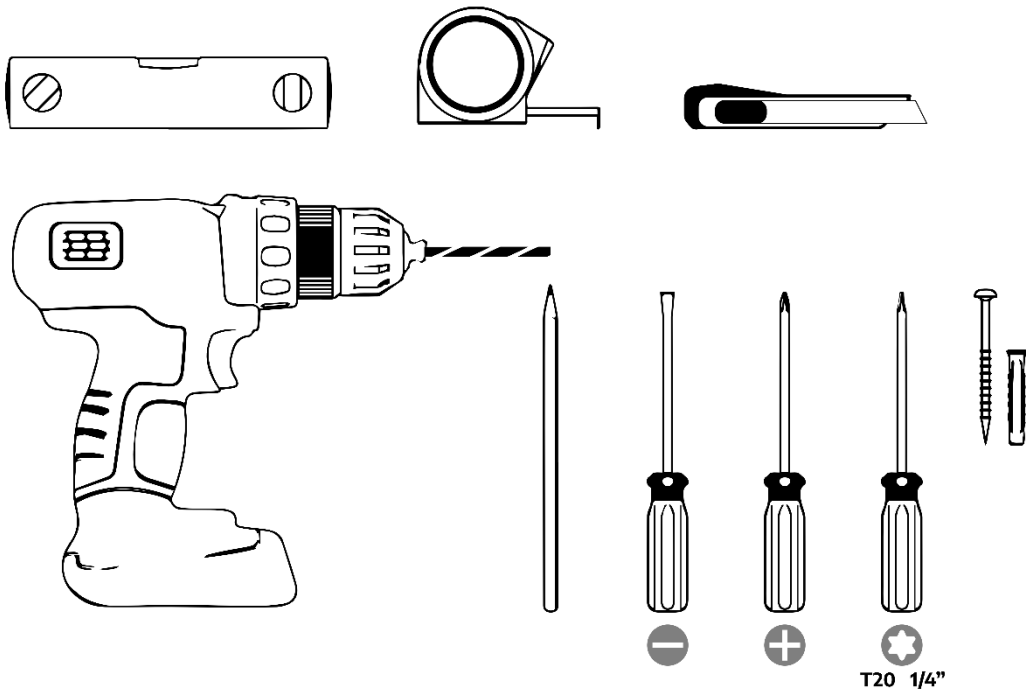


4.2.6. Get the required tools

The list includes:

- Torx screwdriver T20 1/4"
- Phillips screwdriver (minimum length =160mm)
- Slotted screwdriver (head < 2mm)
- 3x $\varnothing 10 \times 50$ mm wall plugs with screws
- Drill with $\varnothing 10$ mm 3/8" bit
- Cutter
- Hammer
- Pencil
- Spirit level
- Measuring tape
- Adhesive tape

NOTE: The charger is provided with 2 box-cable sheath junctions that you can replace with $\varnothing 25$ mm cable glands (not included in the supply).



WARNING

Do not use an electrical screwdriver to assemble the charger or to fix it to the wall. Free2move eSolutions S.p.A. declines any liability for damage to persons or things arising from use of such tools.

4.3. External Electrical Protection

The charger is equipped with a 6 mA DC direct current detection device. In accordance with the IEC 61851-1 standard, the charger must be protected upstream by external electrical protection devices as indicated in the following guidelines. The charger is not equipped with a PEN fault detection system.

Miniature Circuit Breaker (MCB): 1P/P3+N, recommended C curve, at least 6kA rated short-circuit capacity. Rated current according to power supply and charger setting with a maximum of 40A; for example, I_{max} 32 A will use C40 MCB. In the event of a short circuit, the value of I^2t at the vehicle connector of the charging station should not exceed 75000 A²s.

The overcurrent protection devices should comply with IEC 60947-2, IEC 60947-6- 2, IEC 61009-1 or the relevant parts of IEC 60898 series or IEC 60269 series.

Residual Current Device (RCD): 1P/P3+N, according to local regulations, at least Type A. Manual reset type only. The RCD should have a rated residual operating current not exceeding 30 mA and should comply with one of the following standards: IEC 61008-1, IEC 61009-1, IEC 60947-2, and IEC 62423. The RCD should disconnect all live conductors.

Surge Protection Device (SPD): To prevent potential damage to the electric vehicle caused by overvoltage, we strongly recommend protecting the power supply circuit of the connection point with an SPD.

Insulation Monitoring Device (IMD): If installed in IT-type systems, an insulation monitoring device (IMD) compliant with CEI EN 61557-8 must be fitted.



WARNING.

For TN-type systems, there may be additional specific local regulations regarding system safety and fault protection that you, as the installer, must understand and implement.

4.4. Mounting the charger on the wall



CAUTION

The national and international building regulations set out in IEC 60364-1 and IEC 60364-5-52 must be observed when fixing the charger to the wall. Correct positioning of the charging station is important to ensure it operates correctly.

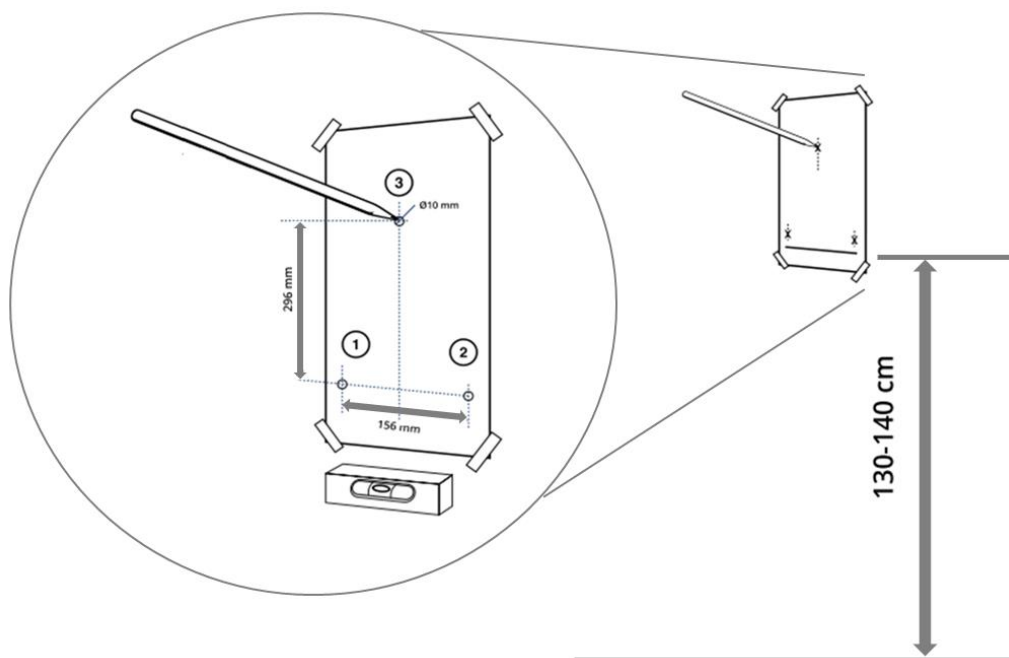
To fix the main body to the wall, **3 plugs (Ø 10x50 mm)** are required. For installation on walls made of different materials (e.g., plasterboard), specific plugs are required and must only be installed after checking the maximum allowable load.

Before installation, you must determine the position and distances from walls:

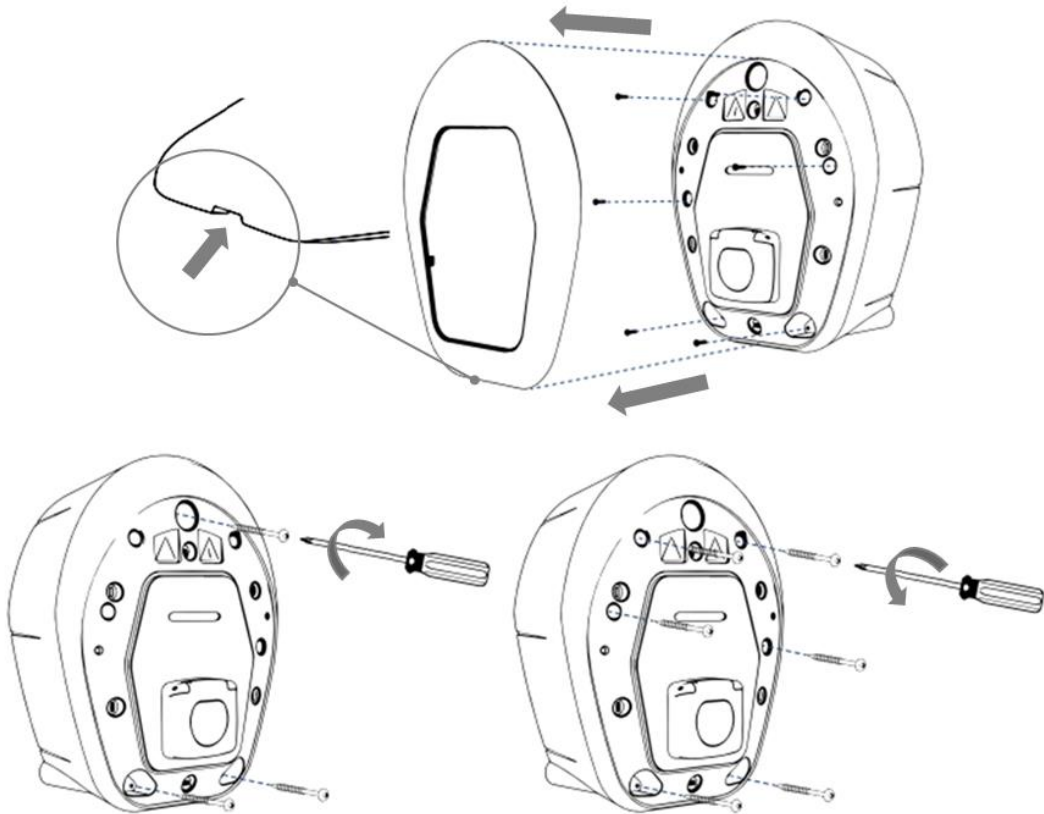
- We recommend maintaining **50-60 cm from other walls** to facilitate installation and maintenance.
- We also recommend installing the charger at a **height of 130-140cm from the floor**.
- To facilitate installation and wall mounting, **use the supplied template** to drill the 3 fixing holes. The template should also be used for levelling with a spirit level.

Mounting procedure

- 1) Using a drill, make 3x Ø10 mm holes where the fixing points are marked. The minimum depth of the holes must be 60 mm. Then remove any drilling residue from the holes.
- 2) Push the fixing plugs into the holes with a hammer.



- 3) Remove the external frame of the charger using the groove on the bottom.
- 4) Fix the charger by inserting the 3 screws in the wall plugs using the Phillips-head screwdriver.
- 5) To proceed with electrical installation, pull the cover out removing the 6 screws using the Torx T20 ¼" screwdriver.

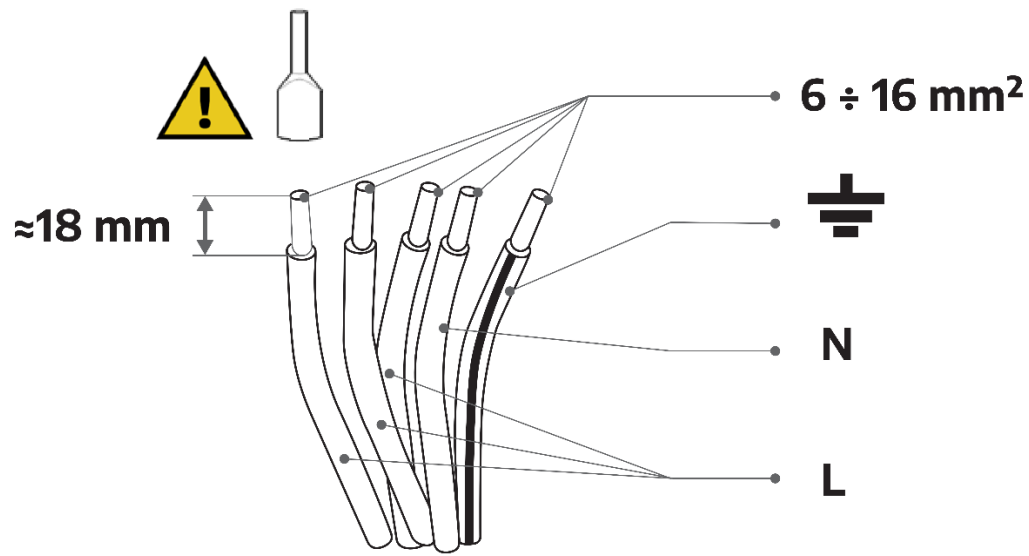


4.5. Connection of the power supply to the charger

The charger must be powered by appropriately sized cables. Before wiring, ensure that the cables are properly sized, and that the maximum permissible bending radius is not exceeded.

The electrical data of the charger, which should be consulted for the correct sizing of the power supply system, is shown on the identification label of the unit. (see 3.3).

Follow these recommendations:



- **Risk of severe damage:** always add 18 mm ferrules on power supply cables.
- Suggested minimum conductor size: 6 mm²; the input connector can also accept 4 mm²
- Maximum conductor size: 16 mm²
- Minimum stripping length for power supply cables: 18 mm



DANGER

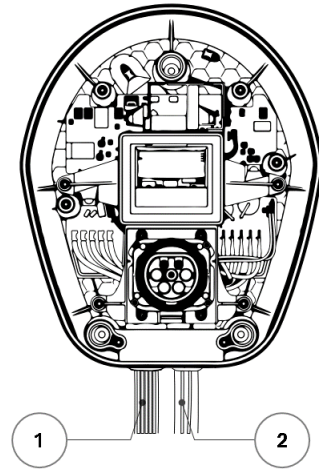
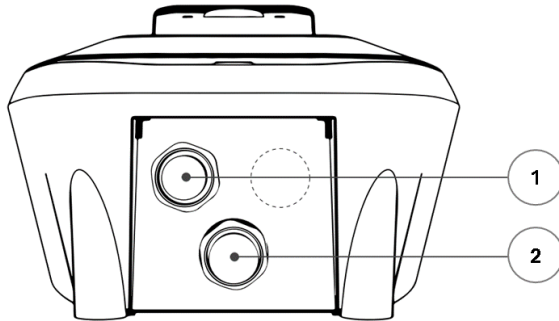
Always use electrical ferrules to ensure optimum connection. Carefully check the connection before switching on the charger. Failure to do so may result in serious risk of damage to the product, property, or death to persons or animals.



DANGER

The power to the charger must remain off during this step.

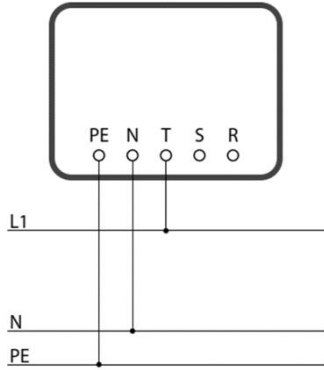
NOTE: The lower part of the charger body has 2 cable entry points that are closed with protective caps to prevent dust or moisture from entering during shipment.



- 1) Power supply cables
- 2) Communication cables

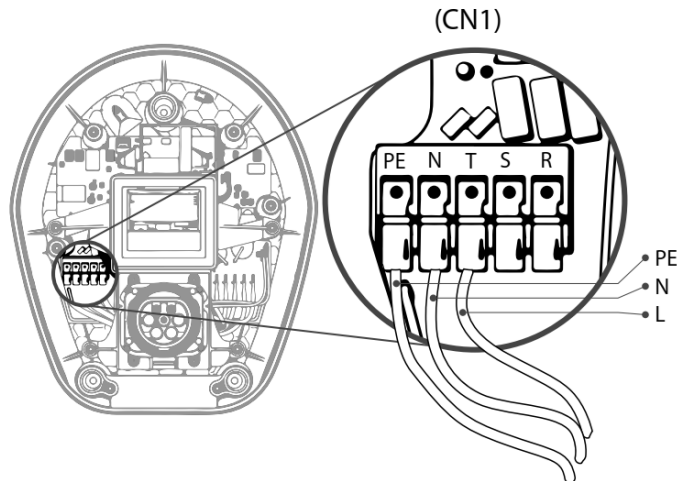
4.5.1. Single-phase installation

The diagrams below show the electrical connection of the charger in single-phase systems.



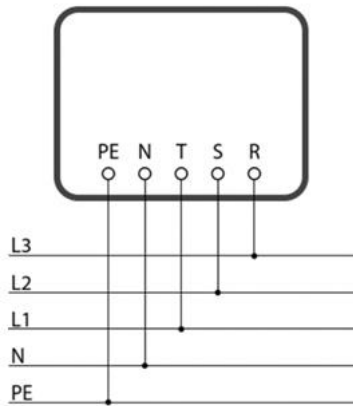
Installation procedure

- 1) Remove the protective cap of the power supply cables entry and insert the \varnothing 25 mm corrugated sheath.
- 2) Tighten the box-cable sheath junction.
- 3) Insert the power supply cable and connect to CN1 power supply terminal block:
 - Earth cable to PE
 - Neutral cable to N
 - Phase cable to T



4.5.2. Three-phase installation

The diagrams below show the electrical connection of the charger in three-phase systems.



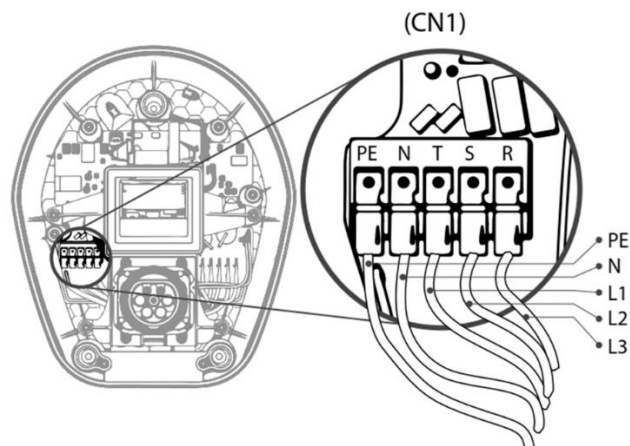
CAUTION

For installations in three-phase systems, ensure that the electrical loads in the system (including the charger) are well balanced between the phases.

In the event of multiple installations, it is recommended that the load be shared between all available phases.

Installation procedure

- 1) Remove the protective cap of the power supply cables entry and insert the \varnothing 25 mm corrugated sheath.
- 2) Tighten the box-cable sheath junction.
- 3) Insert the power supply cable and connect to CN1 power supply terminal block:
 - Earth cable to PE
 - Neutral cable to N
 - Phase cables to T, S, R

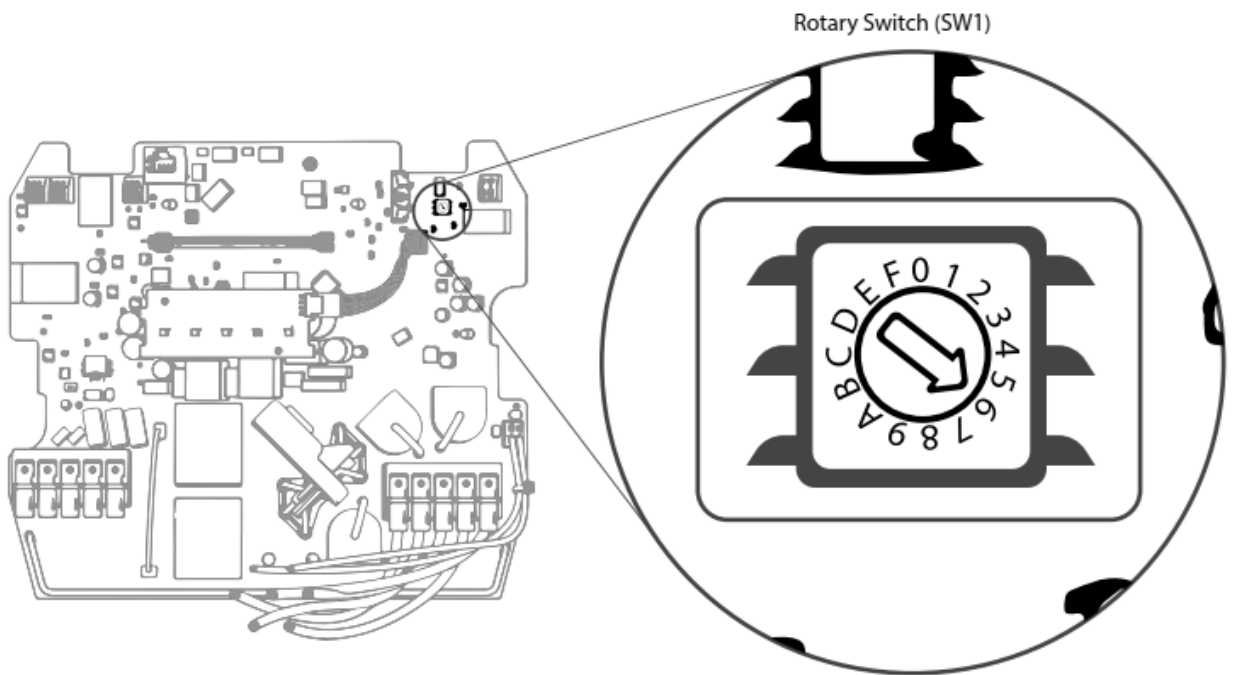


4.6. Setting of the maximum power on rotary switch SW1

On the rotary switch SW1 (see 3.6), configure the maximum power according to the sizing of the electrical system and the type of power supply (single or three phase). Refer to the table below.

NOTICE

The power to the charger should remain off during this step. If the position of the rotary switch is changed while the power is on, turn the power off and back on for the change to take effect.

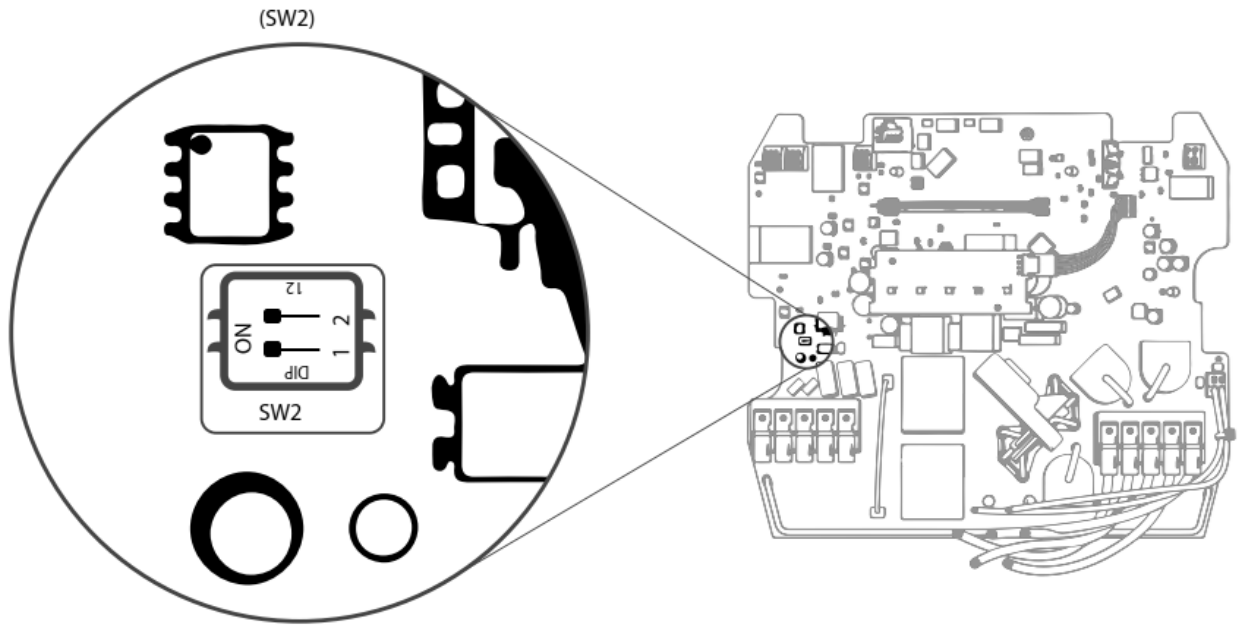


Rotary Switch setting	0	1	2	3	4	5	6	7	8	9	A	B	C	D	E	F
Single-phase [kW]	3.7	4.6	5.1	5.8	6.0	7.4	-	-	-	-	-	-	-	-	-	-
Three-phase [kW]	-	-	-	-	-	-	4.3	6.9	9.0	11.0	13.1	15.2	17.3	19.3	20.7	22.0

4.7. Setting of DIP switch SW2

DIP Switch SW2 is present on some product versions.

If present, you must remove the plastic film from the DIP Switch SW2 and move both contacts to the ON position.



4.8. PowerMeter (DPM) and MIDcounter installation

This section describes how to install:

- **PowerMeter (DPM):** An energy meter that enables Dynamic Power Management (DPM), an intelligent feature that allows an EV to be charged using only the electricity currently available at home, modulating the charging power, and avoiding unpleasant blackouts.
- **MIDcounter:** A certified energy meter that monitors the amount of energy consumed by the charger during each charging session.

The following are the compatible devices.

Direct measurement devices that can be used as PowerMeter (DPM) or MIDcounter:

- Gavazzi, 1-phase, Direct, 32 A (EM111DINAV81XS1PFB)
- Finder, 1-phase, Direct, 40 A (7M2482300210)
- Gavazzi, 1 phase, Direct 100 A (EM112DINAV01XS1PFB)
- Gavazzi, 3-phase, Direct, 65 A (EM340DINAV23XS1PFB)
- Finder, 3-phase, Direct, 80 A (7M3884000212)

Indirect measurement devices that can only be used as PowerMeter (DPM):

- Gavazzi, 1-phase, Indirect (EM111DINAV51XS1X) with 1x CT 100 A (CTA5X100A5A)
- Gavazzi, 1-phase, Indirect (EM111DINMV51XS1X) with 1x CTV 60 A (CTV1X60A333MV)
- Gavazzi, 3-phase, Indirect (EM330DINAV53HS1X) with 3x CT 150 A (CTA5X150A5A30)



WARNING

Do not try to install electrical devices unless you are qualified as a professional electrician (see 2.2). Doing so could cause serious danger and damage to you and to people, property, or animals in your vicinity.

NOTICE

For additional installation information, refer to the manufacturer installation manual provided with the meter.

4.8.1. Installing PowerMeter (DPM)

If PowerMeter is used and other domestic appliances are being used during the charging session, the system can modulate the charging power to the car and temporarily suspend the charging session. As soon as the other domestic appliances are switched off, the session is resumed.

The DPM smart logic works in both three-phase and single-phase installations.



WARNING

When installing in three-phase systems, make sure that the electrical loads (including the charger) are well balanced between the phases of the electrical system.



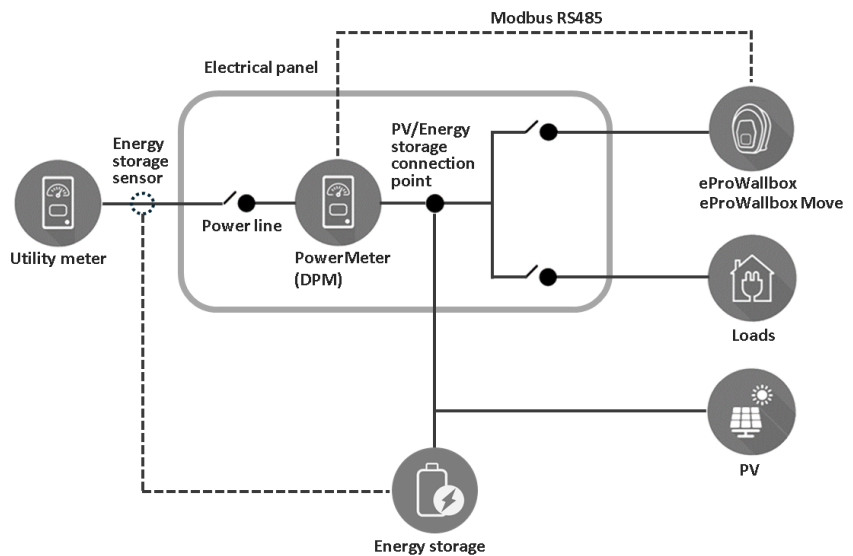
WARNING

The power to the charger must remain off during this step.

Installing direct measurement PowerMeter (DPM)

Place the PowerMeter (DPM) after the utility meter.

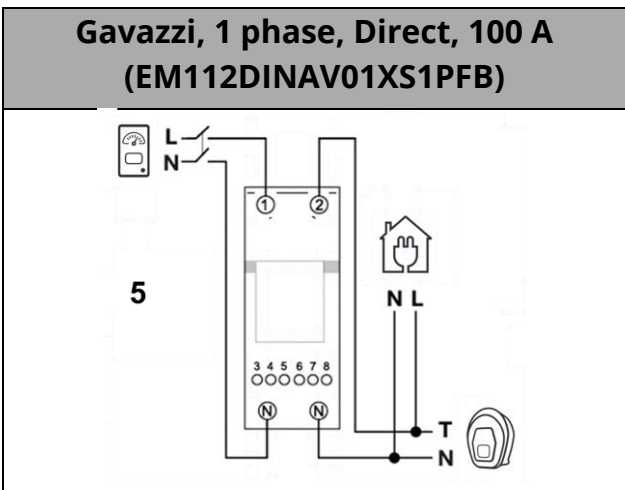
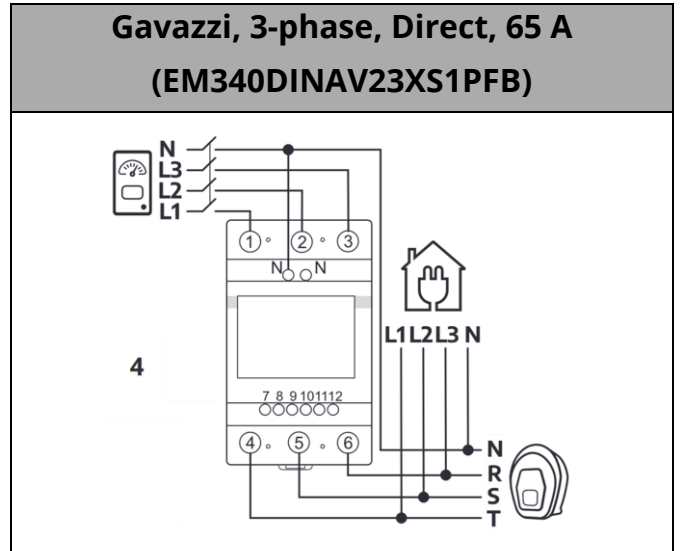
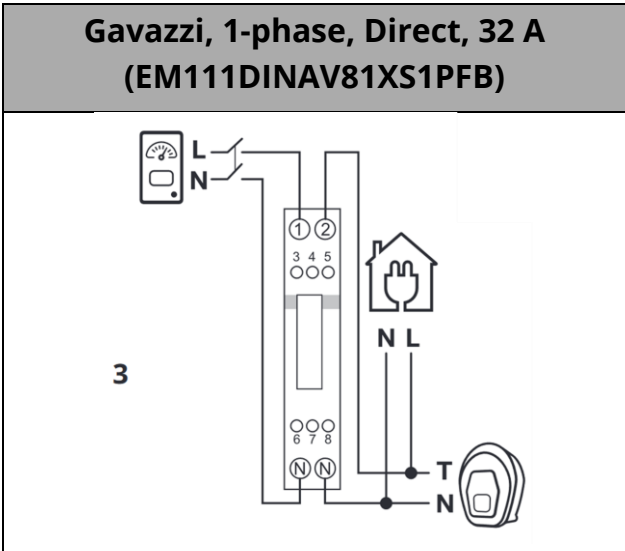
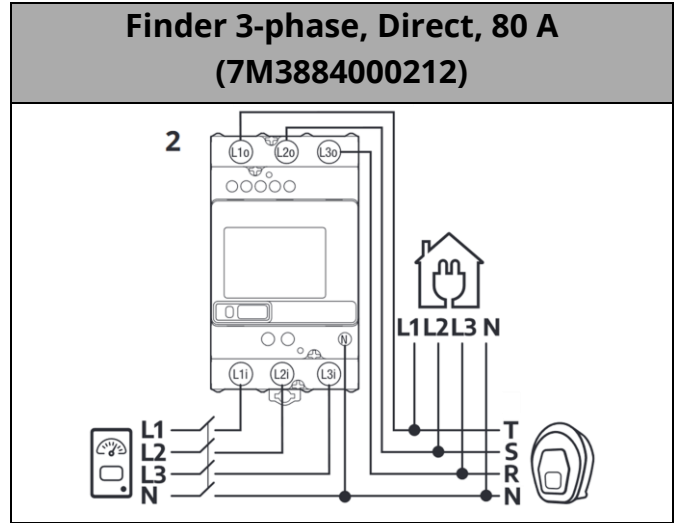
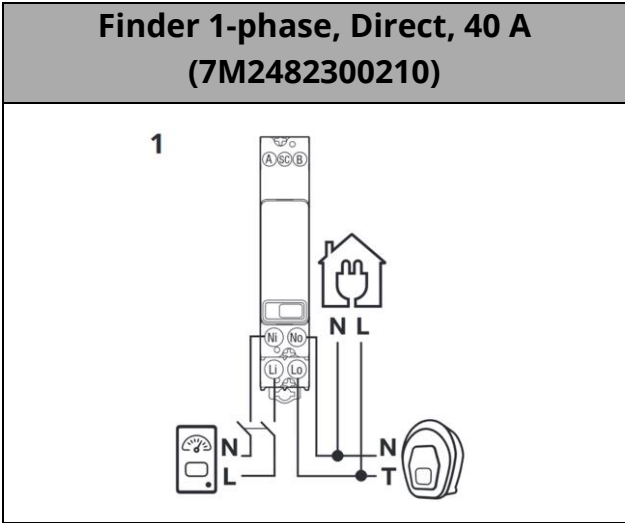
The PowerMeter (DPM) must measure all the electrical loads, including the charger.



NOTICE

- 1) If PV is present, the PowerMeter should be placed between the Utility Meter and the PV connection point.
- 2) If there is a home Energy storage, the PowerMeter should be placed between the Energy storage connection point and the Energy storage measurement sensor.

See the diagrams below for single phase and three phase electrical connection of the direct PowerMeter (Finder and Gavazzi).

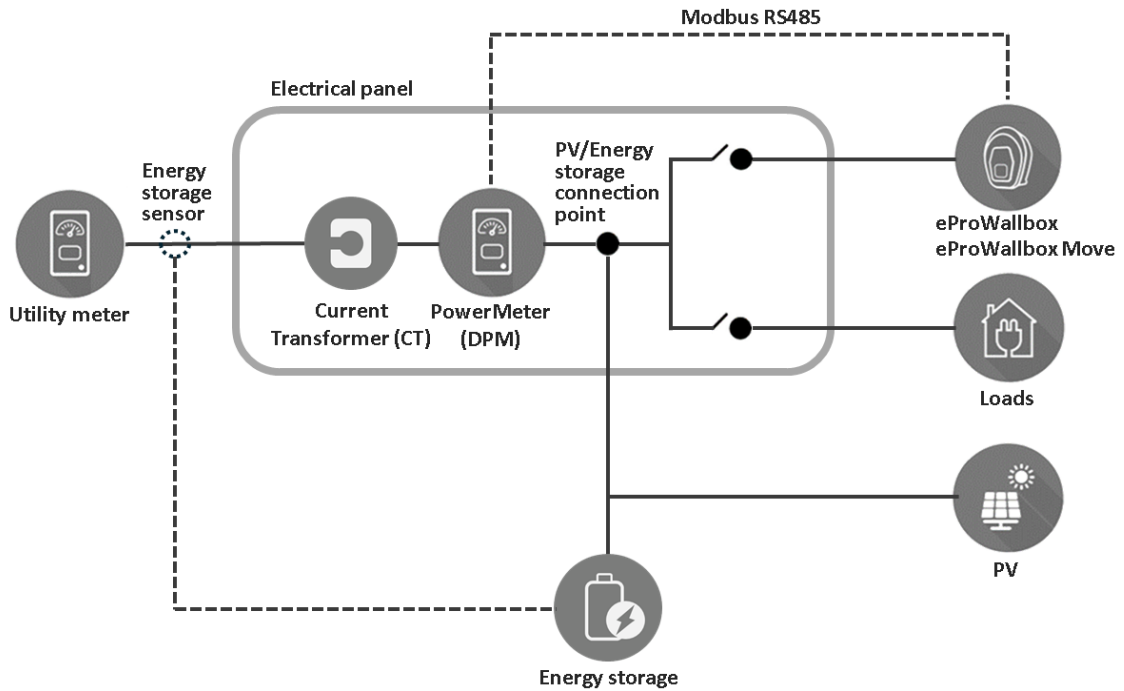


➔ The RS485 communication connection is discussed in 4.9.

Installing indirect measurement PowerMeter (DPM)

Place the CT (current transformers) of the PowerMeter after the utility meter and before the electrical loads, including the charger.

When installing the Current Transformers (CT), point the arrow on the CT in the direction of the loads.



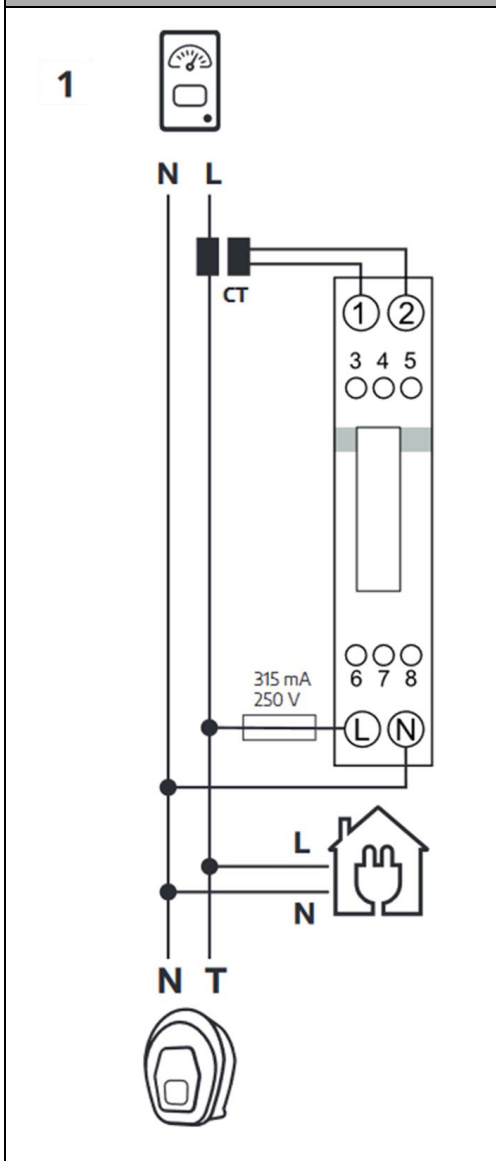
NOTICE

- 1) If PV is present, the PowerMeter Current Transformers (CT) should be placed between the PV connection point and the Utility Meter.
- 2) If there is a home Energy storage, the PowerMeter Current Transformers (CT) should be placed between the Energy storage connection point and the Energy storage measurement sensor.

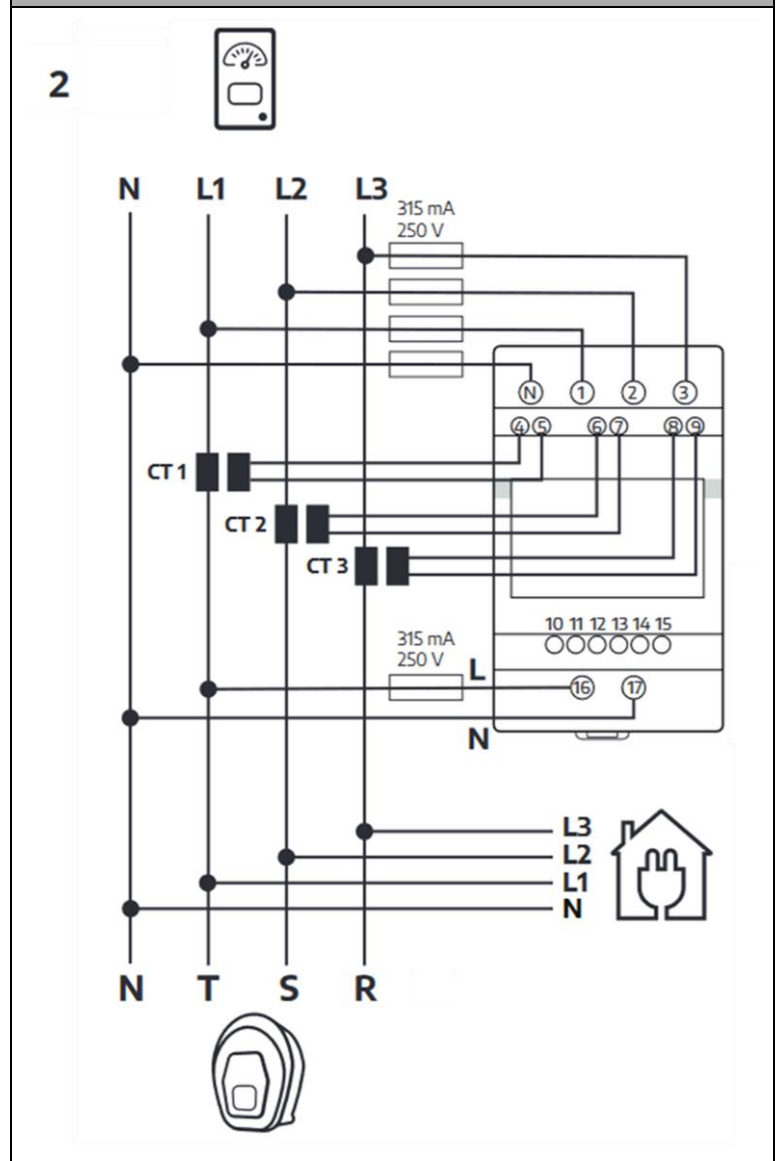
See the diagrams below for single phase and three phase electrical connection of the Gavazzi energy meters.

**Gavazzi, 1-phase, Indirect
(EM111DINAV51XS1X) with 1x
CT 100 A (CTA5X100A5A)**

**Gavazzi, 1-phase, Indirect
(EM111DINMV51XS1X) with
1x CTV 60 A
(CTV1X60A333MV)**



**Gavazzi, 3-phase, Indirect
(EM330DINAV53HS1X) with 3x CT 150 A
(CTA5X150A5A30)**



➔ The RS485 communication connection is discussed in 4.9.

4.8.2. Installing MIDcounter

The MIDcounter is a certified energy meter that allows the consumption of the charger to be safely and reliably monitored during each charging session.

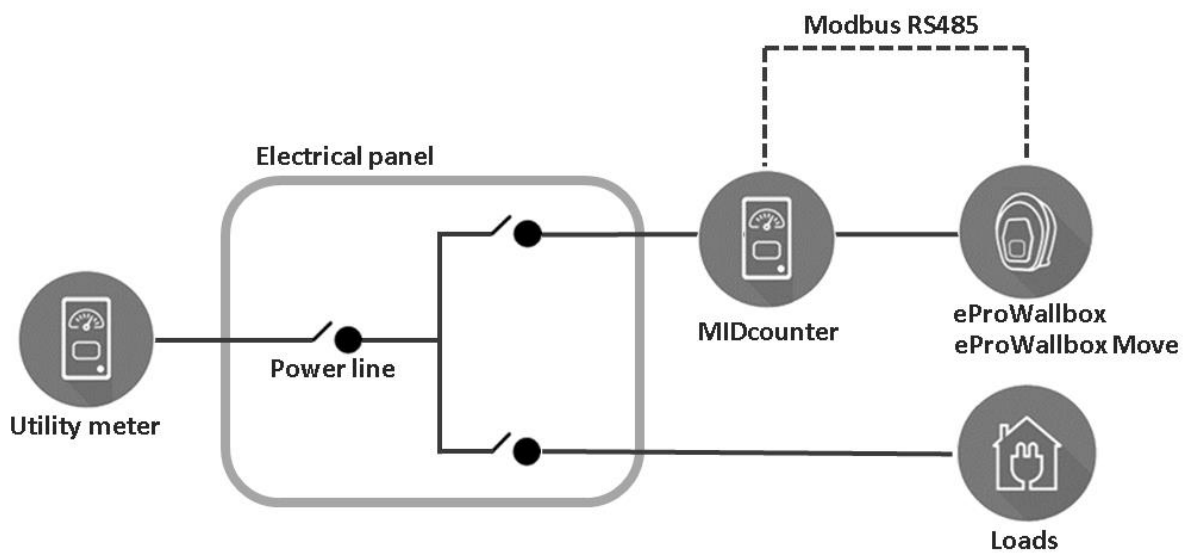
All the relevant data of the charging sessions is automatically recorded by a certified MID meter and transferred from the charger to the Charge Point Management System (CPMS).



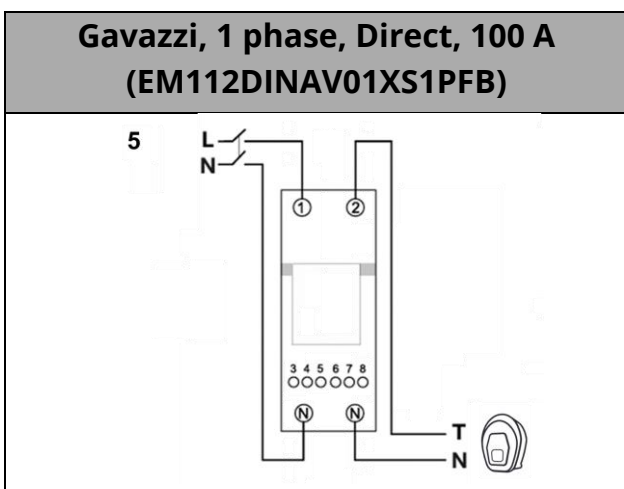
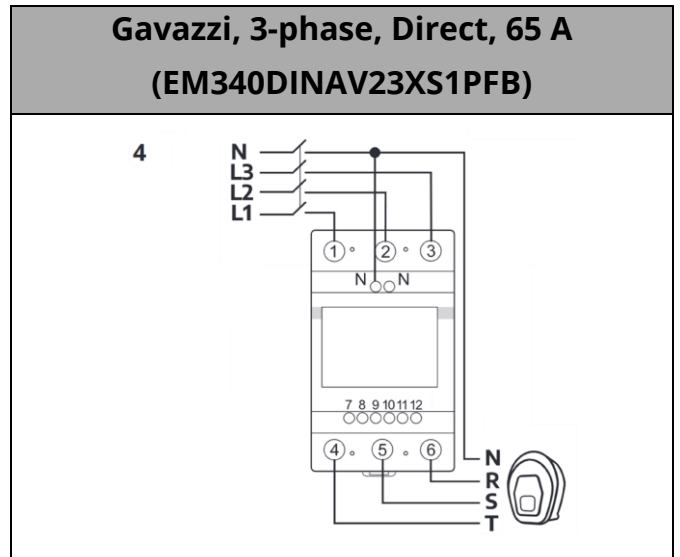
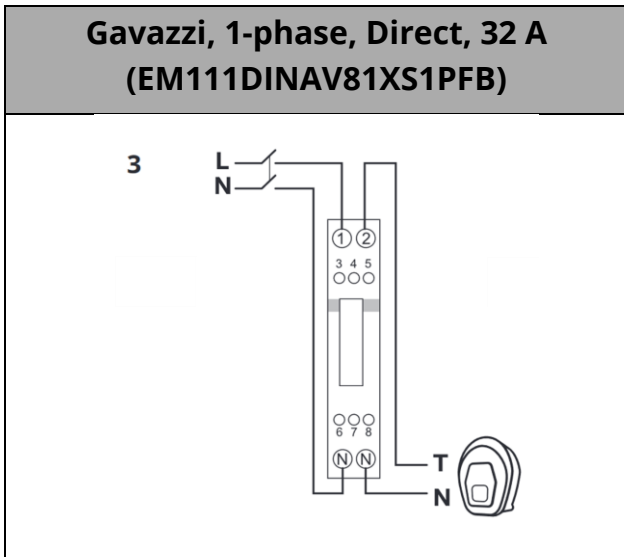
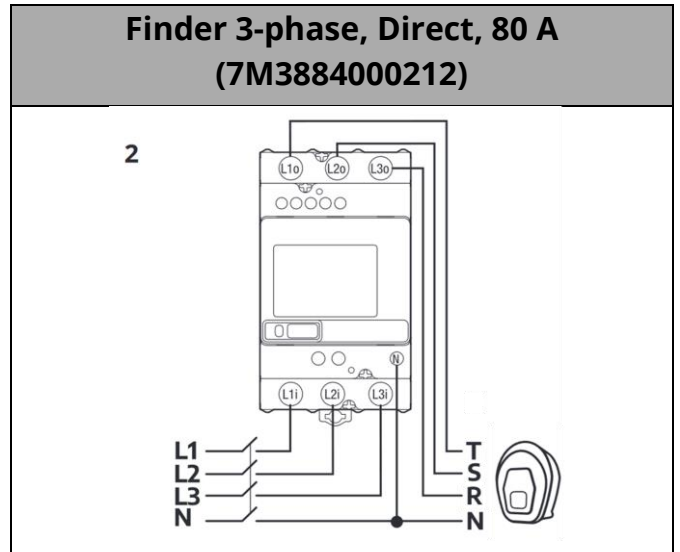
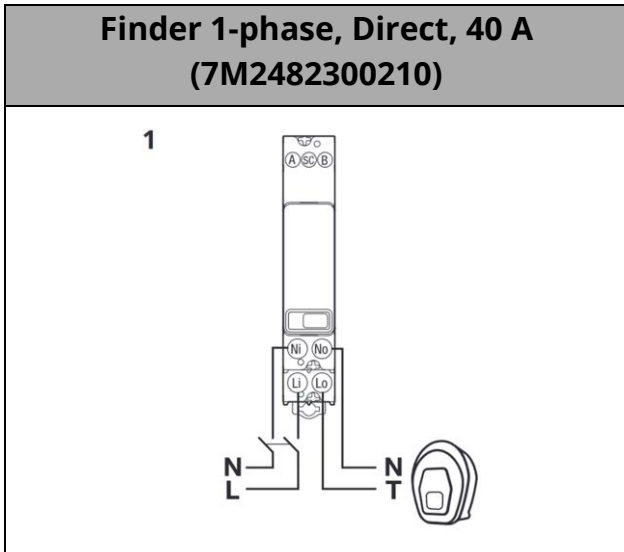
WARNING

The power to the charger must remain off during this step.

Place the MIDcounter on the same power line as the charger, after the electrical protection devices.



See the diagrams below for single phase and three phase electrical connection of MIDcounter (Finder and Gavazzi).

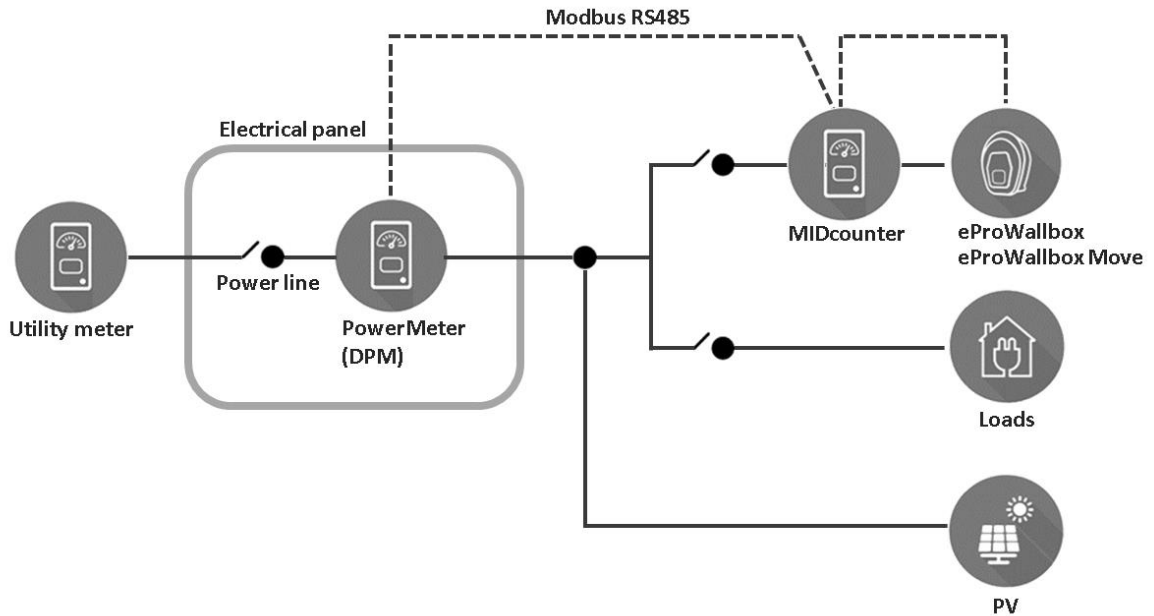


➔ The RS485 communication connection is discussed in 4.9.

4.8.3. Combined installation of PowerMeter (DPM) and MIDcounter

Place the PowerMeter (DPM) after the utility meter.

Place the MIDcounter on the same power line as the charger, after the electrical protection devices.



NOTICE

- 1) If PV is present, the PowerMeter should be placed between the Utility Meter and the PV connection point.
- 2) If there is a home Energy storage, the PowerMeter should be placed between the Energy storage connection point and the Energy storage measurement sensor.

- ➔ For electrical connections of PowerMeter (DPM) and MIDcounter, see 4.8.1 and 4.8.2.
- ➔ The RS485 communication connection is discussed in 4.9.

4.9. Modbus RS485 communication connections

As shown in 3.6, the charger is equipped with 2x RS485 ports (CN9 /CN10) for communication to:

- Additional chargers in M/S Network.
-OR-
- An Energy Management System (EMS) or another Modbus device.

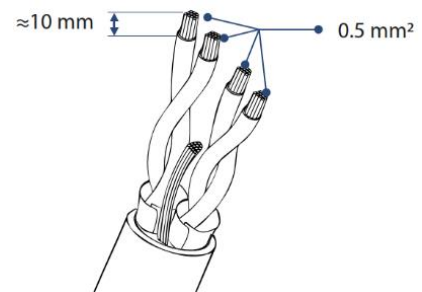
And 1x additional RS485 port (CN12) to communicate with a meter accessory:

- PowerMeter (DPM) for Dynamic Power Management.
-AND/OR-
- MIDcounter certified energy meter.

This section discusses the RS485 line requirements and the general connection procedure, with detailed wiring described on a case-by-case basis in the following sections.

RS485 cable requirements

- Modbus RS485 twisted STP 2x2 AWG24 or S/FTP cat.7 suitable for installation with a 400V power line
- Conductor size: 0.5 mm²
- Stripping length: 10 mm
- Recommended maximum length: 150 m



Connection procedure

- 1) On the charger, remove the protective cap from the communication cables entry point and insert the corrugated sheath Ø 25 mm.
- 2) Tighten the box-cable sheath junction.
- 3) Insert the communication cable by pulling it to a length that reaches the communication port leaving some slack.

NOTE: The communication cables must be correctly spaced from the electronic boards and routed laterally between the board and the plastic base.

- 4) Connect the communication cable to the appropriate port as shown in the next sections.
- 5) Repeat the procedure for every communication cable you wish to install.
- 6) A 120 Ω terminating resistor should be installed on each end of the RS485 line.
The resistor is present in the charger by default.



WARNING

Holes that are not used must be closed using the protective caps provided to ensure the IP rating.

4.9.1. Connecting PowerMeter (DPM)

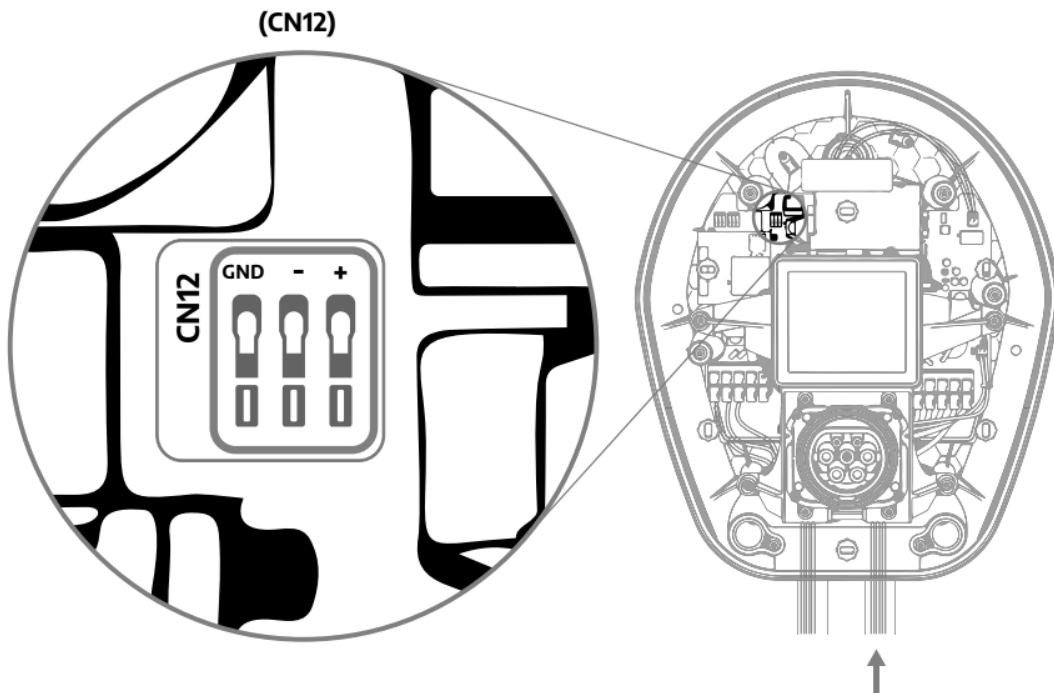
Connect the PowerMeter (DPM) via RS485 after the electrical installation discussed in 4.8.1.

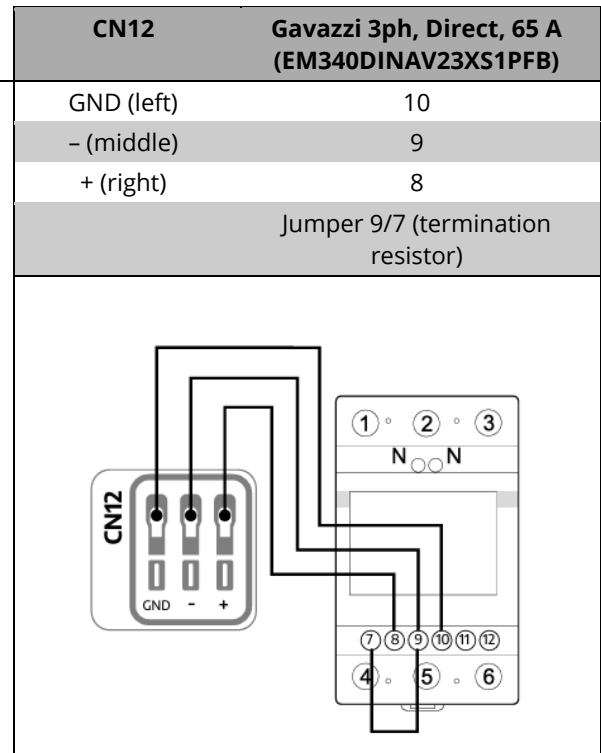
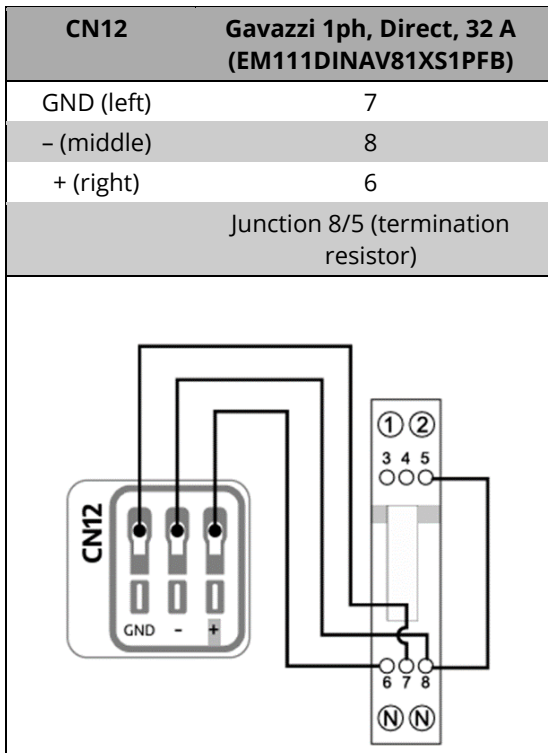
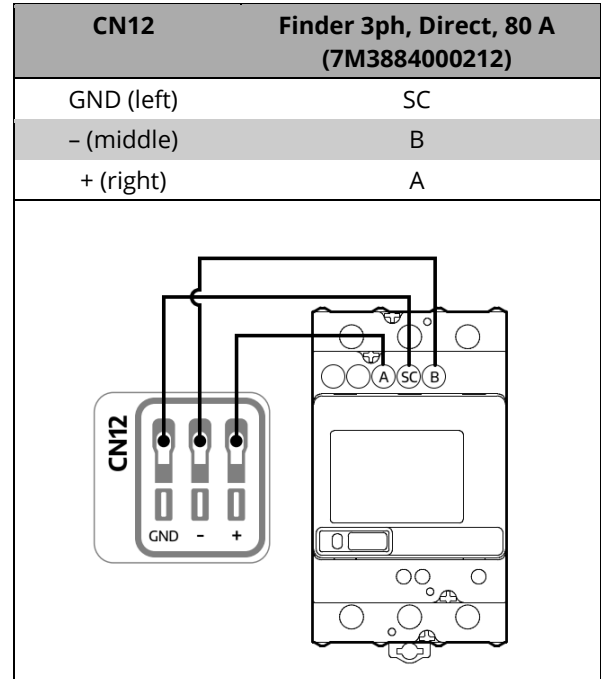
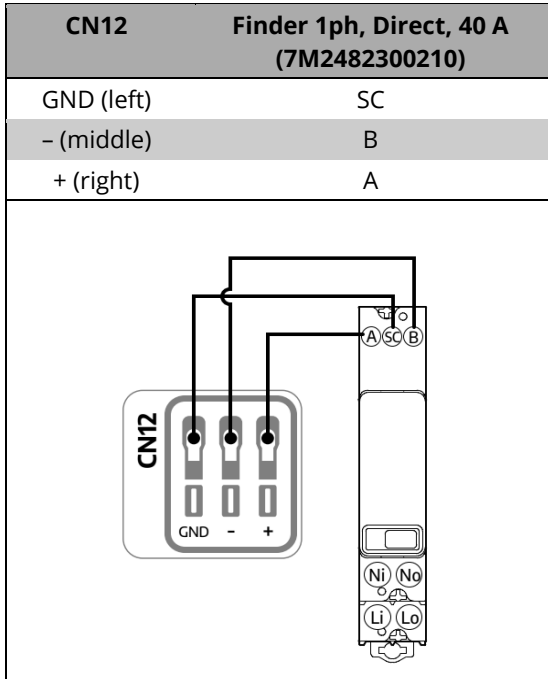
As shown in the figures below, use the CN12 connector with the following pin assignment:

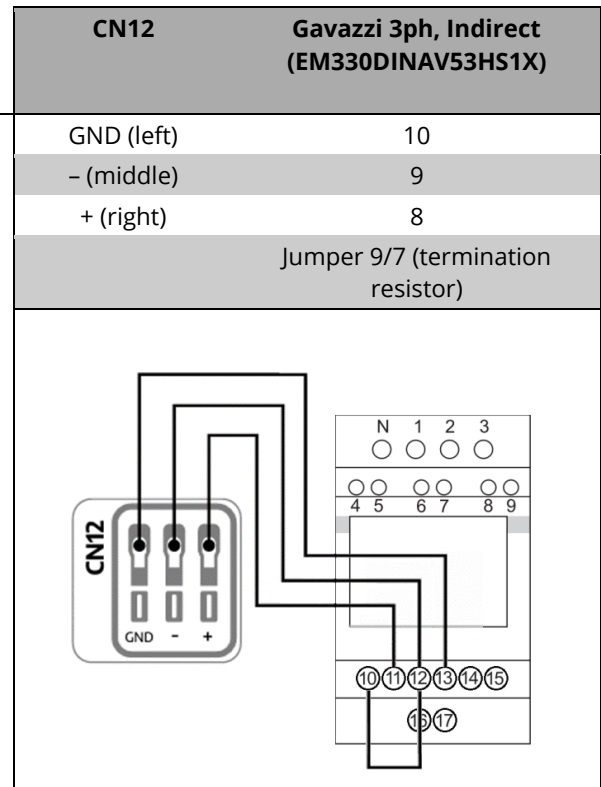
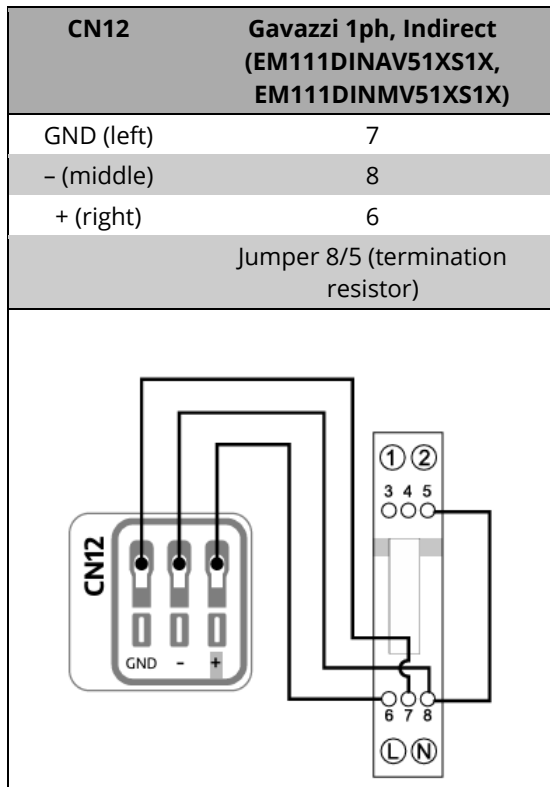
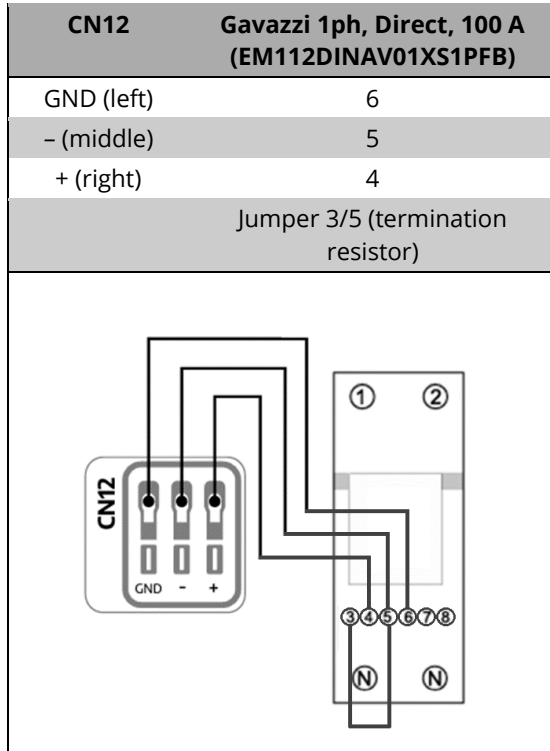
- **Left = GND**
- **Middle = -**
- **Right = +**

Depending on the model of the PowerMeter (DPM), refer to one of the following tables for the connection layout.

➔ If the installation includes both PowerMeter (DPM) and MIDcounter, see 4.9.3.







➔ After power-on (4.11), the PowerMeter (DPM) must be configured as described in 5.2.

4.9.2. Connecting MIDcounter

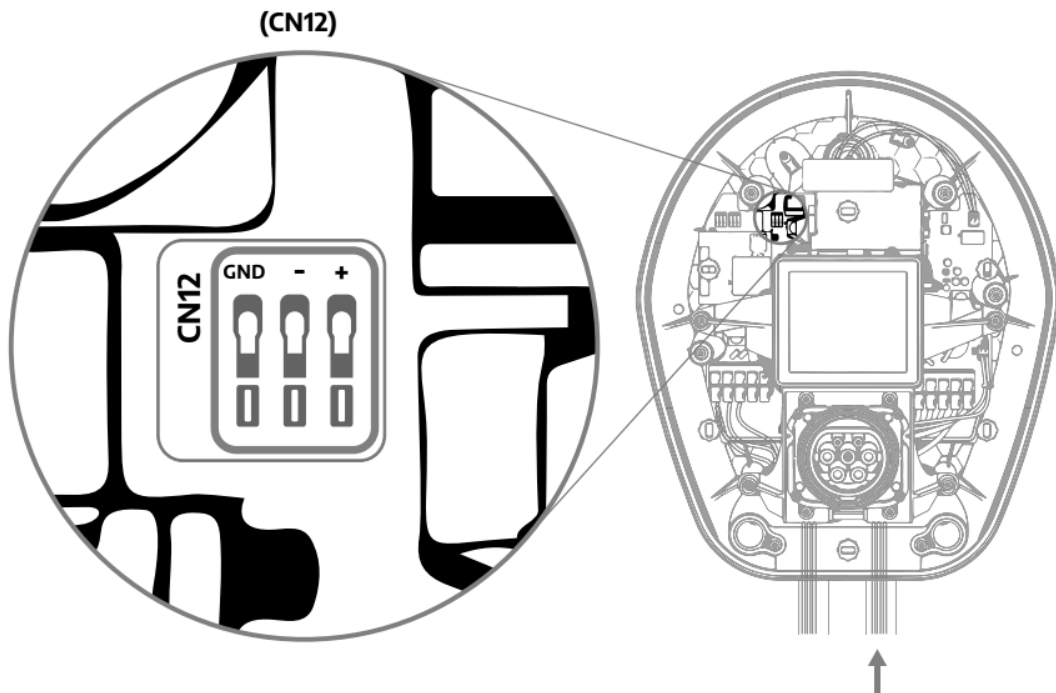
Connect the MIDcounter via RS485 after the electrical installation discussed in 4.8.2.

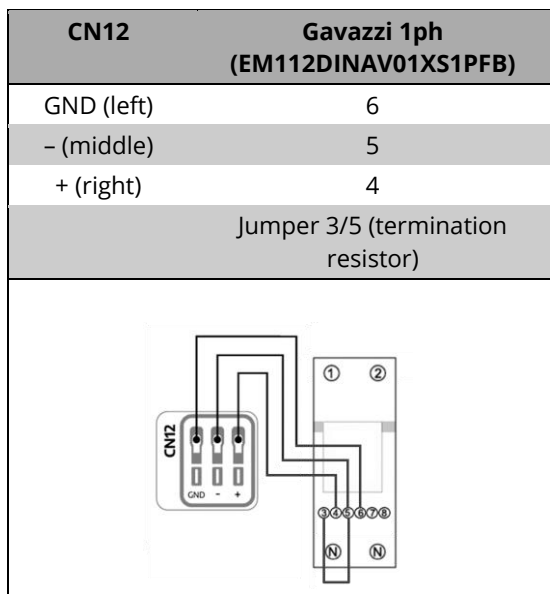
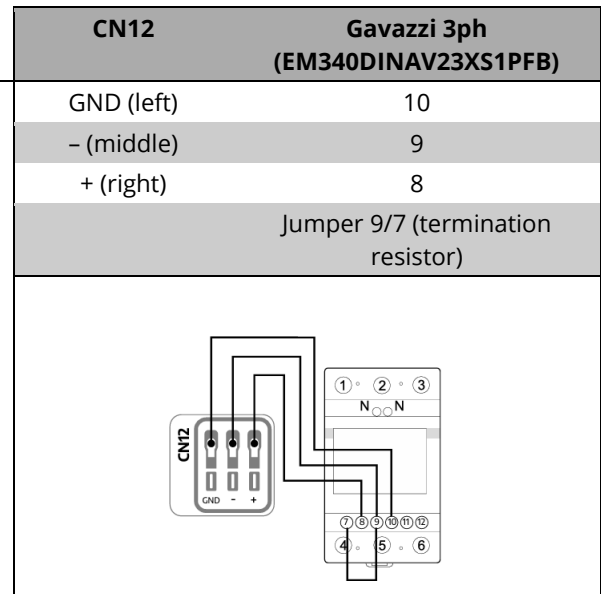
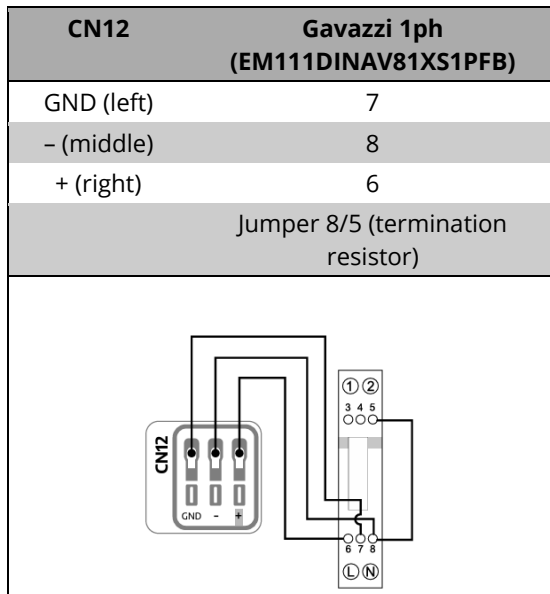
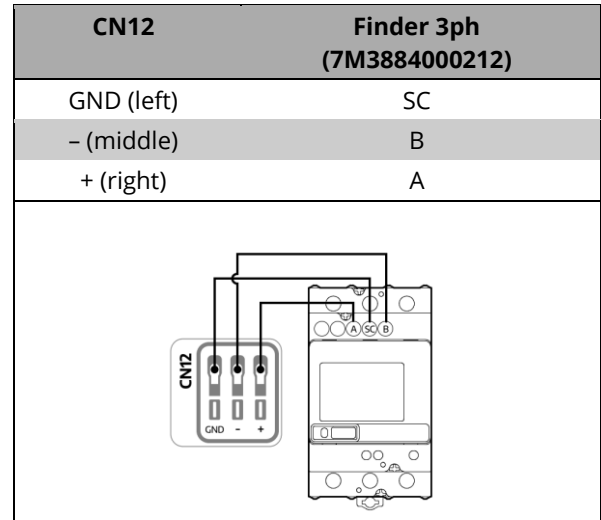
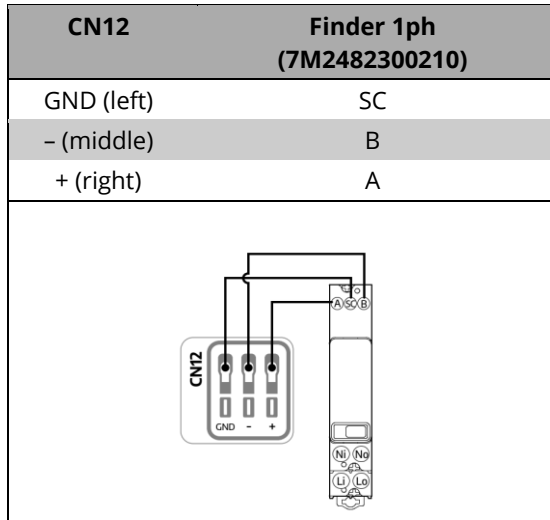
As shown in the figure, use the CN12 connector with the following pin assignment:

- **Left = GND**
- **Middle = -**
- **Right = +**

Depending on the model of the MIDcounter, refer to one of the following tables for the connection layout.

➔ If the installation includes both PowerMeter (DPM) and MIDcounter, see 4.9.3.





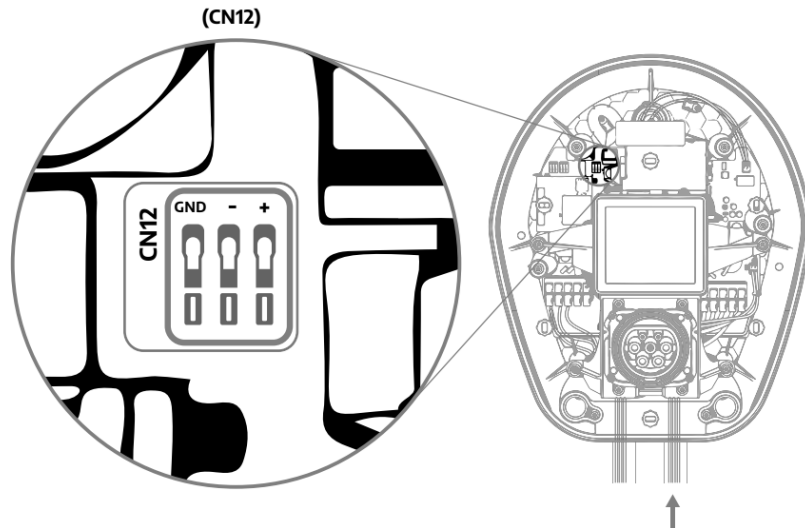
➔ After power-on (4.11), the MIDcounter must be configured as described in 5.2.

4.9.3. Connecting both PowerMeter (DPM) and MIDcounter

Connect the PowerMeter (DPM) and the MIDcounter via RS485 after the electrical installation discussed in 4.8.3.

As shown in the figure, use the CN12 connector with the following pin assignment:

- **Left = GND**
- **Middle = -**
- **Right = +**



➔ Depending on the models of the PowerMeter (DPM) and MIDcounter, refer to one of the following tables for the connection layout.

PowerMeter (DPM)	MIDcounter	Charger	PowerMeter (DPM)	MIDcounter	Charger
DPM, Gavazzi, 1ph, Indirect 100 A /60A (EM111DINAV51XS1X, EM111DINMV51XS1X)	MID, Gavazzi, 1ph, Direct, 32 A (EM111DINAV81XS1PFB)	CN12	DPM, Gavazzi, 3ph, Indirect, 150 A (EM330DINAV53HS1X)	MID, Gavazzi, 3ph, Direct, 65 A (EM340DINAV23XS1PFB)	CN12
GND (7)	GND (7)	GND	GND (13)	GND (10)	GND
A-(8) / T*(5)	A- (8)	-	A-(12) / T*(10)	A-(9)	-
B+(6)	B+ (6)	+	B+ (11)	B+ (8)	+
DPM, Gavazzi, 1ph, Indirect 100 A / 60 A (EM111DINAV51XS1X, EM111DINMV51XS1X)	MID, Finder, 1ph, Direct, 40 A (7M2482300210)	CN12	DPM, Gavazzi, 3ph, Indirect, 150 A (EM330DINAV53HS1X)	MID, Finder, 3ph, Direct, 80 A (7M3884000212)	CN12
GND (7)	SC	GND	GND (13)	SC	GND
A-(8) / T*(5)	B-	-	A-(12) / T*(10)	B-	-
B+(6)	A+	+	B+ (11)	A+	+
DPM, Gavazzi, 1ph, Direct, 32 A (EM111DINAV81XS1PFB)	MID, Gavazzi, 1ph Direct, 32 A (EM111DINAV81XS1PFB)	CN12	DPM, Gavazzi, 3ph Direct, 65 A (EM340DINAV23XS1PFB)	MID, Gavazzi, 3ph Direct, 65 A (EM340DINAV23XS1PFB)	CN12
GND (7)	GND (7)	GND	GND (10)	GND (10)	GND
A-(8) / T*(5)	A- (8)	-	A-(9) / T*(7)	A-(9)	-
B+(6)	B+ (6)	+	B+ (8)	B+(8)	+
DPM, Gavazzi, 1ph, Direct, 32 A (EM111DINAV81XS1PFB)	MID, Finder, 1ph Direct, 40 A (7M2482300210)	CN12	DPM, Gavazzi, 3ph Direct, 65 A (EM340DINAV23XS1PFB)	MID, Finder, 3ph Direct, 80 A (7M3884000212)	CN12
GND (7)	SC	GND	GND (10)	SC	GND
A- (8) / T*(5)	B-	-	A-(9) / T*(7)	B-	-
B+(6)	A+	+	B+(8)	A+	+
DPM, Gavazzi, 1ph, Direct, 100 A (EM112DINAV01XS1PFB)	MID, Gavazzi, 1ph, Direct, 100 A (EM112DINAV01XS1PFB)	CN12	DPM, Gavazzi, 1ph, Direct, 100 A (EM112DINAV01XS1PFB)	MID, Finder, 1ph Direct, 40 A (7M2482300210)	CN12
GND (6)	GND (6)	GND	GND (6)	SC	GND
A- (5) / T*(3)	A- (5)	-	A- (5) / T*(3)	B-	-
B+(4)	B+(4)	+	B+(4)	A+	+
DPM, Finder, 1ph, Direct, 40 A (7M2482300210)	MID, Gavazzi, 1ph Direct, 32 A (EM111DINAV81XS1PFB)	CN12	DPM, Finder, 3ph Direct, 80 A (7M3884000212)	MID, Gavazzi, 3ph Direct, 65 A (EM340DINAV23XS1PFB)	CN12
SC	GND (7)	GND	SC	GND (10)	GND
B-	A-(8)	-	B-	A-(9)	-
A+	B+(6)	+	A+	B+(8)	+
DPM, Finder, 1ph, Direct, 40 A (7M2482300210)	MID, Finder, 1ph Direct, 40 A (7M2482300210)	CN12	DPM, Finder, 3ph Direct, 80 A (7M3884000212)	MID, Finder, 3ph Direct, 80 A (7M3884000212)	CN12
SC	SC	GND	SC	SC	GND
B-	B-	-	B-	B-	-
A+	A+	+	A+	A+	+

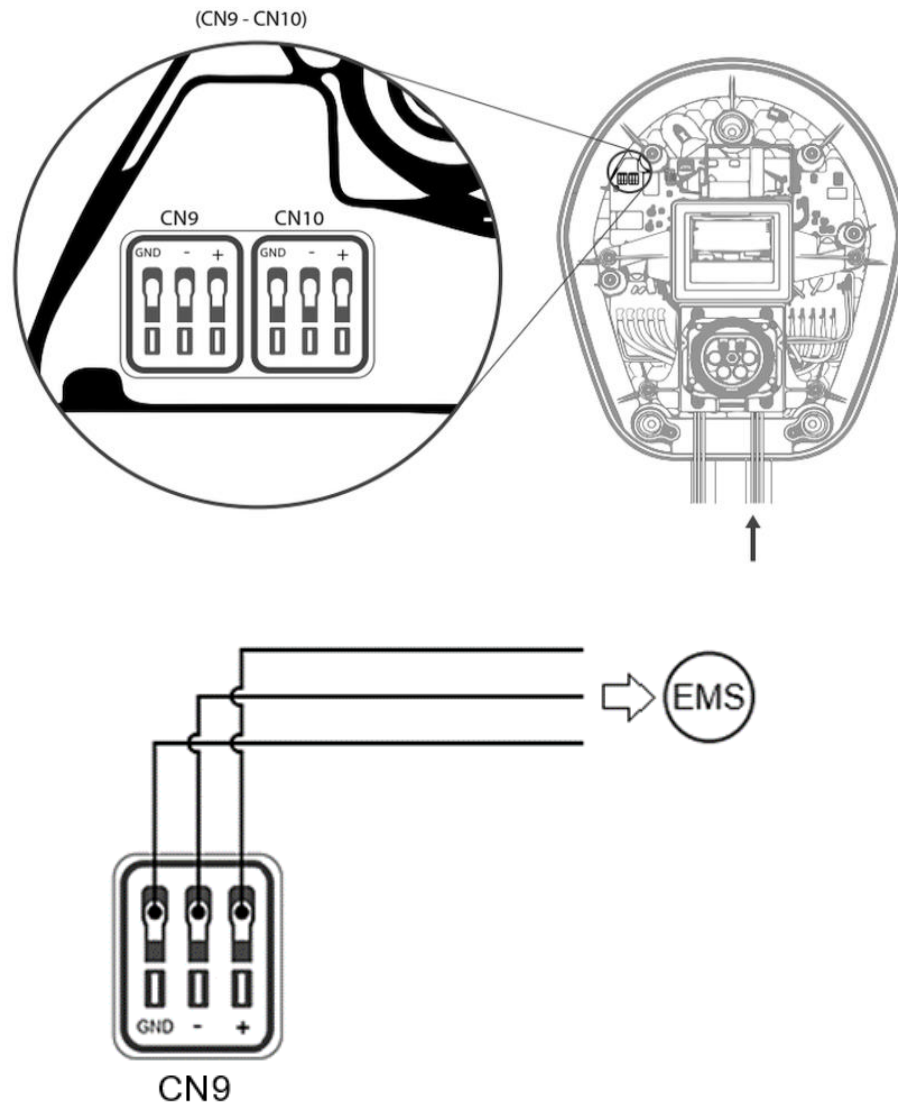
(* Gavazzi models have a built-in termination resistor, which can be enabled by jumpering these terminals.

➔ After power-on (4.11), the PowerMeter (DPM) and MIDcounter must be configured as described in 5.2.

➔ Connecting EMS on Modbus RS485

As shown in the figure below, use the CN9 connector with the following pin assignment:

- **Left = GND**
- **Middle = -**
- **Right = +**



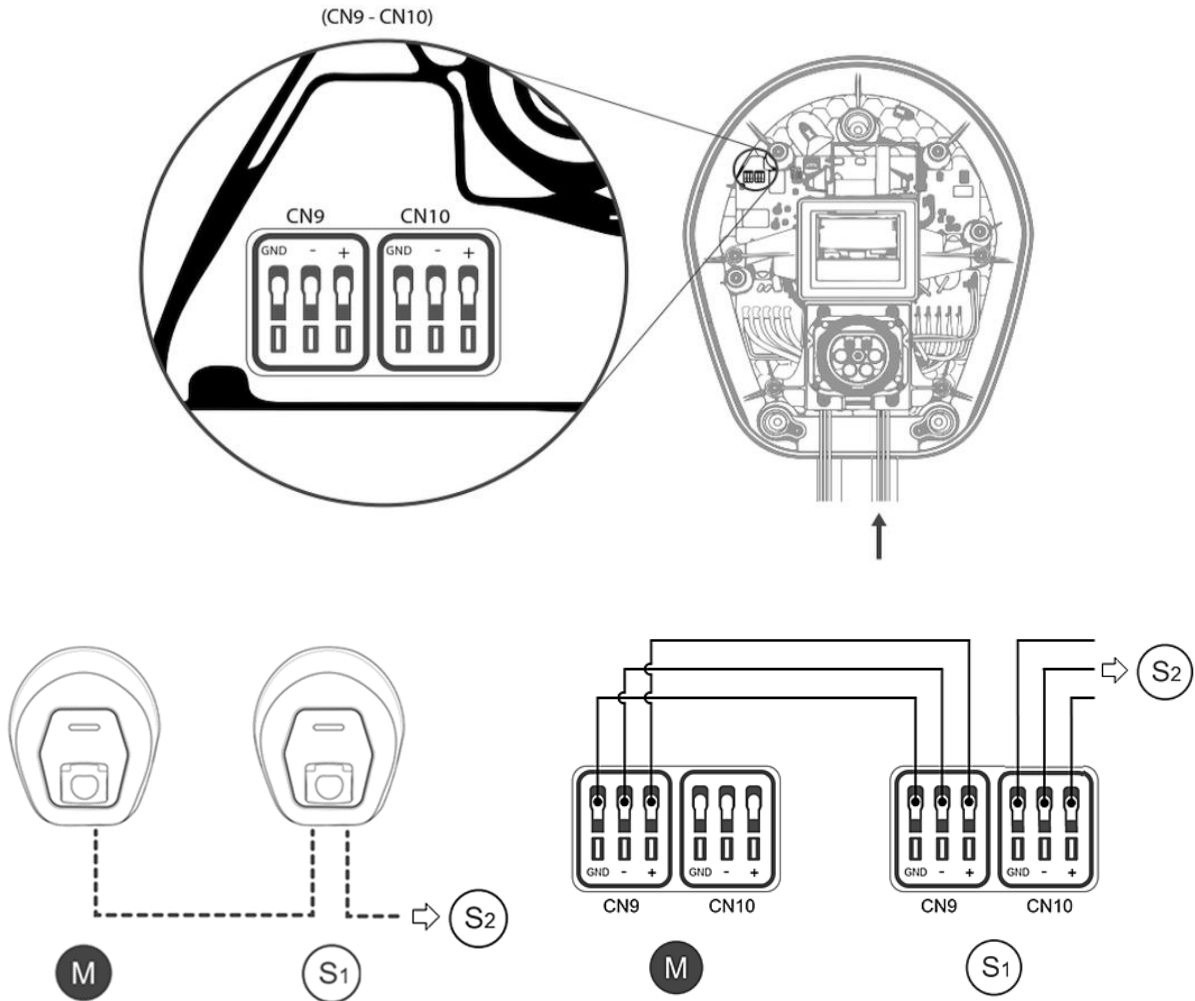
- ➔ The EMS configuration on the installer App is described in **Error! Reference source not found..**
- ➔ The EMS functions are based on Modbus as described in the Modbus Maps documentation. See 1.4.

4.9.4. Connecting chargers in the M/S Chargers network

The Main charger can be connected to Satellite chargers via Modbus RS485 in daisy-chain configuration (see **Error! Reference source not found.**).

As shown in the figures below, use the CN9 and CN10 connectors with the following pin assignment:

- **Left = GND**
- **Middle = -**
- **Right = +**



➔ After power-on (4.11), the M/S Chargers Network must be configured in the installer App as described in **Error! Reference source not found.**

4.10. Ethernet Connection

As shown in 3.6, the charger is equipped with an Ethernet port for:

- OCPP connection via Internet.
-AND-
- Modbus TCP/IP connection to an external Energy Management System (EMS) or device.
- Customer Service.

Ethernet cable requirements

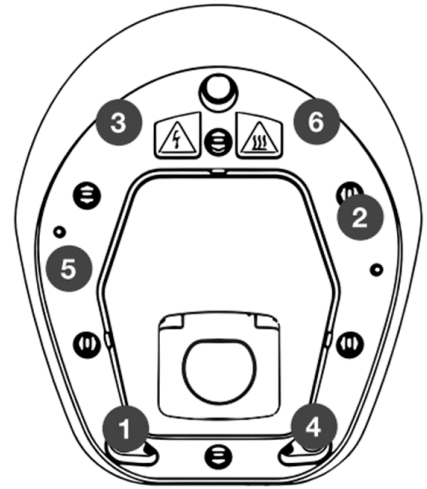
- Cable Type: Ethernet S/FTP cat.7
 - Max length to router/switch: 110 m
 - Connector: RJ45 plug-in
- ➔ By default, the Ethernet connection is active with DHCP settings. It can be disabled or reconfigured as described in 5.5.

4.11. System check, closing and power-on

Before closing, check to ensure that the power supply cables are connected properly, making sure that the respective positions of the phases and neutral in the CN1 terminal block respect the markings.

Closing procedure

- 1) Put the cover back on
- 2) Tighten with the previously removed bolts in the sequence 1-6 shown in the figure. Use a tightening torque of 2.5 Nm.
- 3) Put the external frame back on, pushing the rubber tab into the slot and applying a slight pressure.
- 4) Turn on the power by turning on the upstream circuit breaker.
- 5) Wait for the LED bar or display to turn on.



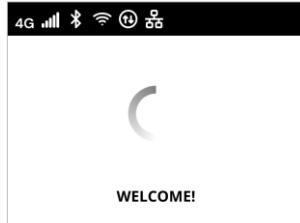
NOTICE

The charger may not light up immediately after the power on.
This may take up to 30 seconds.

4.11.1. eProWallbox display screens

This section lists the display screens of **eProWallbox**. The **eProWallbox Move** model is equipped with a LED bar as described in 4.11.2.


Charging session screens





Welcome message, which may contain a brand logo. After the power is turned on, it may take up to 30 seconds to display.



The icons in the header indicate active communications. Some icons may or may not appear depending on your model and configuration.


 4G LTE, with signal bars

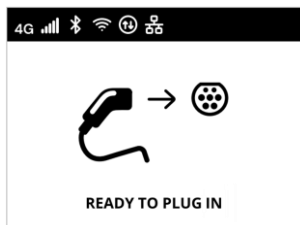
 Bluetooth

 Wi-Fi, with signal bars

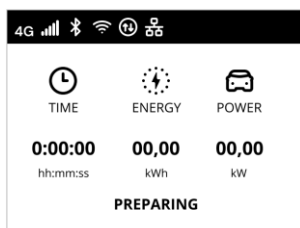
 Active connection with CPMS.

 The alternative  icon indicates a communication failure condition.

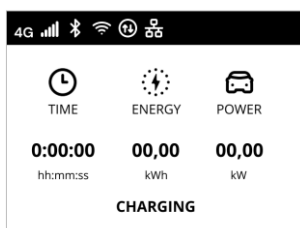
 Ethernet cable connected



The READY TO PLUG IN screen is the default screen in Autostart mode, and it appears after successful authorization. It prompts you to insert the charging cable to start the charging session.

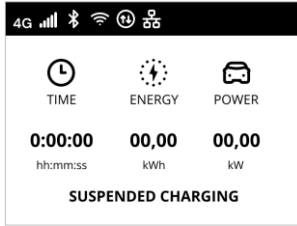


For a few seconds, the PREPARING screen indicates that the charging session is being prepared. If this screen persists, it means that DPM or other load balancing features are preventing the charge from starting. The charge will start as soon as conditions allow.

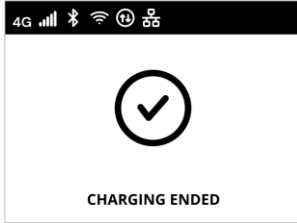


The CHARGING screen displays the parameters of the ongoing session:

- TIME: Duration of the session
- ENERGY: Energy absorbed by the vehicle
- POWER: Current charging power



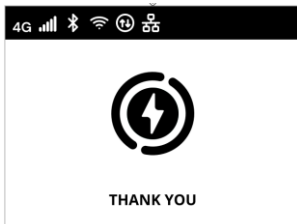
The SUSPENDED CHARGING screen indicates that the charging session was suspended by the DPM or the EV. The charging session will automatically resume when conditions permit.



The CHARGING END screen indicates for 3 seconds the end of the charging session.

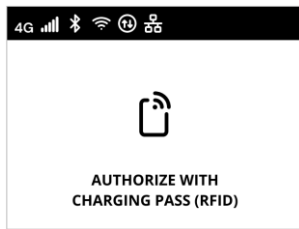


The READY TO PLUG OUT screen appears for 3 seconds to indicate that the charging cable should be removed.



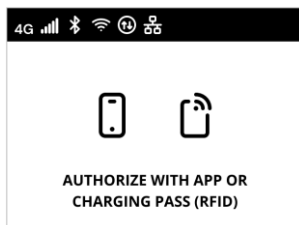
This end-of-session screen is displayed for about 5 seconds. The screen may contain a brand logo.

Access authorization screens



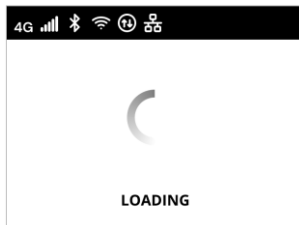
The AUTHORIZE WITH CHARGING PASS (RFID) screen appears when the Authorization operating mode is enabled.

To start the charging process, you need to be authorized via RFID card.

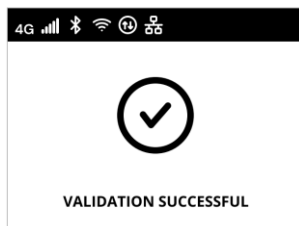


The AUTHORIZE WITH APP OR CHARGING PASS (RFID) screen appears when the Authorization operating mode is enabled and CPMS is connected.

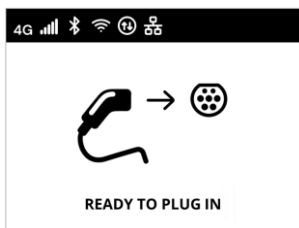
To start the charging process, you need to be authorized via App or RFID card.



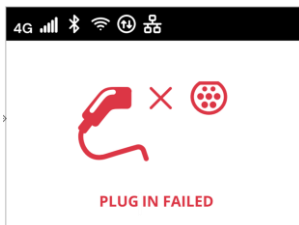
The LOADING screen indicates that the authorization parameters are being checked.



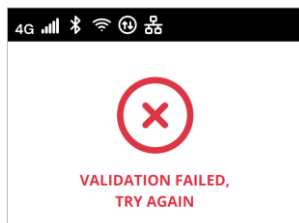
The VALIDATION SUCCESSFUL screen confirms for 3 seconds authorized access.



After being authorized, the READY TO PLUG IN screen indicates you can begin charging. Note you have 60 seconds to plug in the charging connector.

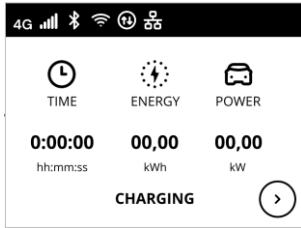


The PLUG-IN FAILED screen indicates that no cable has been plugged in within 60 seconds and authorized access has expired. You must start the process again.

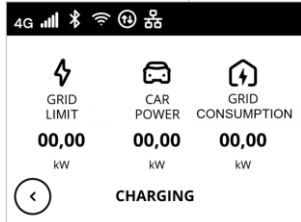


The VALIDATION FAILED, TRY AGAIN screen appears for 5 seconds to indicate the authorization attempt failed. Check your authorization method and start the process again.

DPM information screens



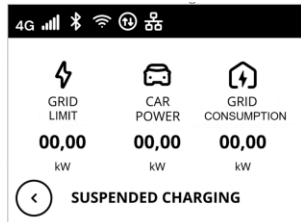
If PowerMeter (DPM) is installed, a button is available at the bottom right of the CHARGING screen to display the Dynamic Power Management information.



The CHARGING/DPM screen displays the DPM information of the ongoing session:

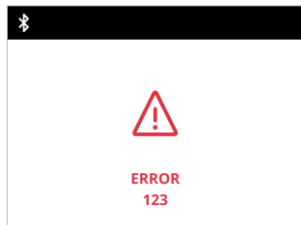
- GRID LIMIT: contract power limit
- CAR POWER: power absorbed by the vehicle
- GRID CONSUMPTION: power absorbed from the grid

Press the button at the bottom left of the screen to return.



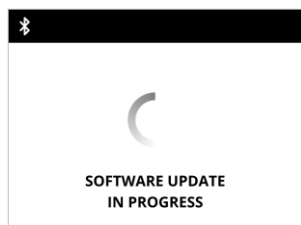
In the same way as above, the DPM information can be displayed from the SUSPENDED CHARGING screen and from the PREPARING screen.

Error condition screens



The ERROR screen reports an error condition with the error code. See troubleshooting in section 6.

Other screens



SOFTWARE UPDATE IN PROGRESS. Wait for the update to complete.



DELAY before charging in progress.

4.11.2. eProWallbox Move LED bar

NOTE: This section only applies to the **eProWallbox Move** LED bar. The **eProWallbox** model is equipped with a display as described in 4.11.1.

LED bar behavior

Once the charger is powered on, the LED bar flashes in a sequence of colors. Then the status of the charger can be easily monitored through the colors and behavior of the frontal LED.

When the charger is powered on, the LED bar performs a red, green, and blue color sequence. If this condition persists, contact Customer Service (see section 9).



	BLUE	GREEN	RED	YELLOW
PULSING	Preparing to charge	Charging in progress		Software update
SOLID	Ready to plug in (Autostart) or Authorize with App (Authorization)	Charging suspended by DPM or EV (e.g., full charge).		Charger unavailable /locked
FLASHING		Ready to plug out	Error detected	

NOTICE

LED behavior might vary depending on the software version.

5. COMMISSIONING

5.1. Commissioning Workflow

Perform the steps described in the following sections as necessary, depending on your specific installation requirements.

- 1) Configure PowerMeter (DPM) and MIDcounter. See 5.2.
- 2) Launch PowerUp (the Installer App). See 5.3.
- 3) If required, configure Wi-Fi settings. See 5.4.
- 4) If required, configure Ethernet settings. See 5.5.
- 5) View Status and Charger parameters. See 5.6 and 5.7.
- 6) Check and update Firmware version. See 5.8.
- 7) Set the Operating mode. See 5.9.
- 8) Check the maximum charging power and adjust if necessary. See 5.10.
- 9) If installed, configure the PowerMeter (DPM) on the App. See 5.11.
- 10) If installed, configure the MIDcounter on the App. See 5.12.
- 11) If necessary, adjust the country-specific settings. See 5.13.
- 12) If required, configure the M/S Chargers Network. See 5.11.2.
- 13) If required, configure the EMS. See 5.11.3.
- 14) If the SIM card should be replaced, configure the Internet mobile parameters. See 5.14.
- 15) If required, configure the backend OCPP connection. See 5.15.
- 16) Be sure to restart the charger for all changes to take effect.
- 17) If necessary, consult Diagnostics to address error conditions. See 5.16.

5.2. PowerMeter (DPM) and MIDcounter configuration

When the electrical and communication installations are complete, you can turn on the power meter (DPM) and/or the MIDcounter (hereafter referred to as the energy meter). You must then proceed with the configuration on the energy meter display.

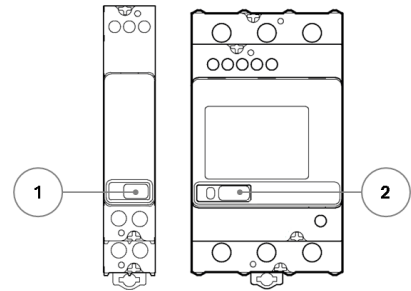
The configuration varies depending on the model.

- ➔ After the local configuration described here, in the Commissioning workflow (see section 5), the meter must also be configured in the installer App (see 5.11).

5.2.1. Configuring Finder models

General Finder touchscreen rules:

- Press the touch key 1 or 2, depending on the model, to scroll through the menu and parameter items.
- Press and hold (~2 seconds) the touch key (1 or 2) to confirm the selection of the current item.



For more information, see the Finder User manual.

Configuration procedure

- 1) To enter the MAIN menu, press and hold the touch key (1 or 2) until the display text flashes.
- 2) Scroll through the MAIN menu using the touch key (1 or 2) and press and hold the **SET** or **SETTINGS** menu item.
NOTE: Depending on the model, menu item names adapt to display width.
- 3) Scroll through the **SET/SETTINGS** menu and select **COMM** or **COMMUNICATION**.
- 4) Scroll through the **COMM/COMMUNICATION** menu and select the values for **Device address**, **Bits per second**, **Parity** and **Stop bits** as shown in the table below.
- 5) Scroll and select ESC to return to the MAIN menu.

Additional steps for three-phase energy meters only

- 6) Scroll through the MAIN menu and select **INSTALLATION**.
- 7) Scroll through the **INSTALLATION** menu and select **CONNECTION MODE**.
- 8) In **CONNECTION MODE.**, select **3L+N, L+N-Arithmetic** (evaluation of individual phases).
- 9) Check that the correct option is set and enter the **DCBA** password.
NOTE: Configuration cannot be modified after entering the DCBA password.
- 10) When prompted, confirm the change by selecting **Yes**.

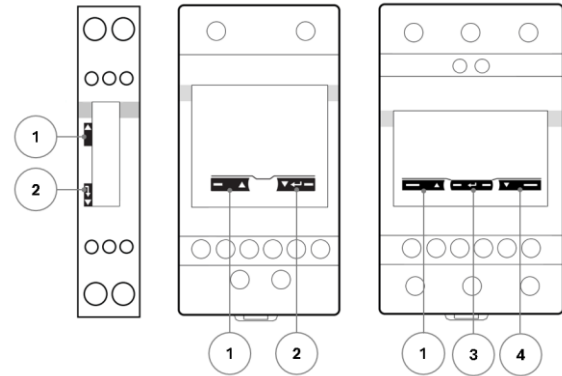
ALL FINDER MODELS	PowerMeter (DPM)	MIDcounter
Address/Device Address	1	2
Baud/Bits Per Second	38400 bit/s	38400 bit/s
Parity	Even	Even
Stop/Stop bit	1	1

Additional for 3-phase energy meter		
Communication mode	3L+N, L+N-Arithmetic	3L+N, L+N-Arithmetic
Password	DCBA	DCBA

5.2.2. Configuring Gavazzi models

Gavazzi touchscreen rules:

- Press the touch key 1 (up) and 2 or 4 (down), depending on the model, to scroll through the menu and parameter items.
- Press and hold (~2 seconds) the touch key (2 or 3) to confirm the selection of the current item.



For more information, see the Gavazzi Instructions manual.

Configuration procedure

- 1) When powering up the energy meter for the first time, press and hold the touch key 2 (or 3) until the password appears on the screen.
- 2) Press and hold the touch keys 1 and 2 (or 1 and 4) simultaneously to confirm the password 0000 and enter the MAIN menu.
- 3) Scroll through the MAIN menu using the touch keys 1 and 2 (or 1 and 4) and select the options as shown in the tables below.

ALL GAVAZZI MODELS	PowerMeter (DPM)	MIDcounter
PASS	0000	0000
ADDRESS	001	002
BAUD	38.4	38.4
PARITY	Even	Even
Additional for 3-phase energy meter		
SYSTEM	3Pn	3Pn
ADDRESS	001	002

5.2.3. Energy Meter Configuration Summary

Finder 1ph Direct DPM	
DEVICE ADDRESS	_1
BITS PER SECOND (BAUD)	38400
PARITY	EVEN
STOP BIT	1

Finder 1ph Direct MID	
DEVICE ADDRESS	_2
BITS PER SECOND (BAUD)	38400
PARITY	EVEN
STOP BIT	1

Finder 3ph Direct DPM	
DEVICE ADDRESS	_1
BITS PER SECOND (BAUD)	38400
PARITY	EVEN
STOP BIT	1
CONNECTION MODE	3L+N, L+N - Arithmetic
PASSWORD	DCBA

Finder 3ph Direct MID	
DEVICE ADDRESS	_2
BITS PER SECOND (BAUD)	38400
PARITY	EVEN
STOP BIT	1
CONNECTION MODE	3L+N, L+N - Arithmetic
PASSWORD	DCBA

GAVAZZI 1phDirect/Indirect DPM	
PASS	0000
ADDRESS	001
BAUD	38.4
PARITY	Even

GAVAZZI 1phDirect MID	
PASS	0000
ADDRESS	002
BAUD	38.4
PARITY	Even

GAVAZZI 3phDirect/Indirect DPM	
PASS	0000
SYSTEM	3Pn
ADDRESS	001
BAUD	38.4
PARITY	Even

GAVAZZI 3phDirect MID	
PASS	0000
SYSTEM	3Pn
ADDRESS	002
BAUD	38.4
PARITY	Even

5.3. Launching PowerUp

When the electrical installation is completed, the charger needs to be configured through a Bluetooth connection using the dedicated installer App **PowerUp** (see 3.8).

NOTICE

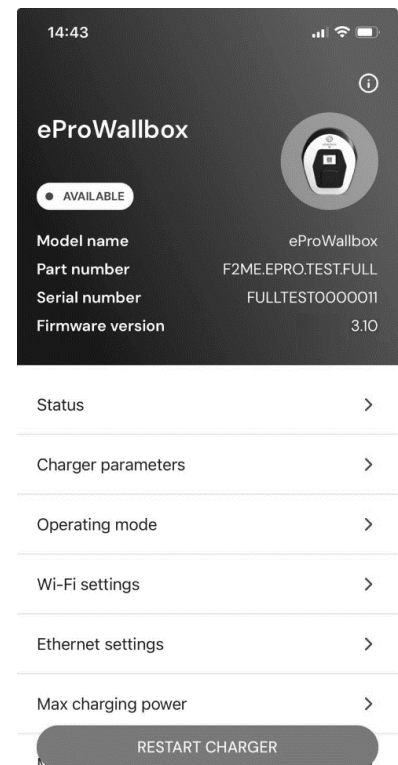
PowerUp is intended for use by qualified installers only.

NOTICE

Always update PowerUp to the latest version to access all functions.

App installation and startup procedure

- 1) Make sure Bluetooth is enabled on your smartphone.
- 2) Update/download the latest **PowerUp** version (see 3.8) and run it.
- 3) Select the language and accept the terms of use.
- 4) Remove the external frame and scan the charger QR code on the cover (see 3.3).
 - If the Bluetooth connection to the charger is successful, the homepage appears with general charger information and the configuration menu.
 - If not reachable, try restarting the APP or the charger.
- 5) Follow the menu sequentially or go directly to the page of parameters you want to configure. See the following sections for detailed instructions.



GENERAL NOTES ON THE CONFIGURATION PAGES

- In the configuration pages, select **SEND** to update the charger settings.
- Select **←** the top left of the screen to return.
- When all changes are completed, select **RESTART CHARGER** from the homepage for the changes to take effect.

5.4. Wi-Fi settings

The **Wi-Fi settings** page allows you to configure the Wi-Fi connection that enables communication with CPMS or a 3rd-party backend system (see 5.15).

NOTICE

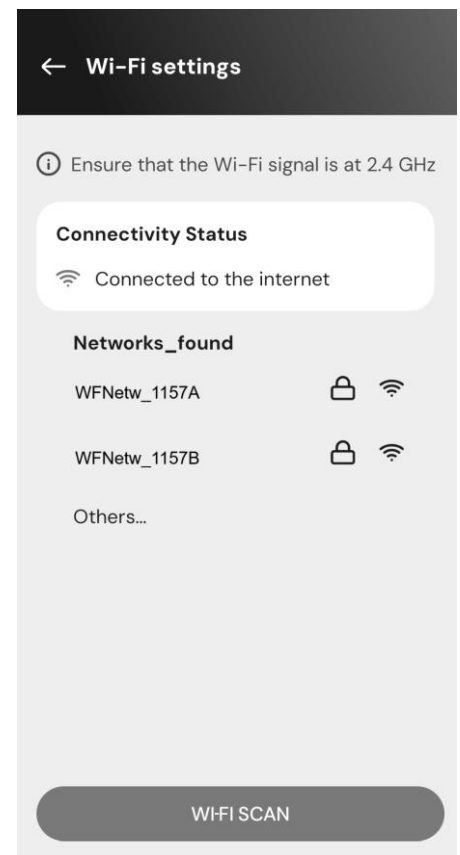
The charger is only compatible with 2.4 GHz Wi-Fi networks. If you try to connect to a 5 GHz Wi-Fi network, it will not work.

Configuration procedure

- 1) On the **PowerUp** homepage, select **Wi-Fi settings**.
→ The **Wi-Fi settings** page shows the connectivity status, which is initially not connected
- 2) Select the **WI-FI SCAN** button and select the Wi-Fi network (or hotspot) that you want to use, then enter the password and select **Connect**. Alternatively, you can select **Others** and manually enter the Wi-Fi name (SSID) and the password.

NOTE: You will only see 2.4GHz networks listed as available, excluding other incompatible networks.

→ If the connection is successful, the connectivity status displays **Connected to the Internet**.



NOTICE

For service purposes, you can temporarily connect the charger to a Wi-Fi hotspot generated by any smartphone, including the one used for configuration. Check your smartphone settings and make sure the Wi-Fi hotspot is operating at 2.4 GHz. Use this procedure if the charger is offline and a software update is required.

5.5. Ethernet settings

The **Ethernet settings** page allows you to configure the Ethernet connection that can enable:

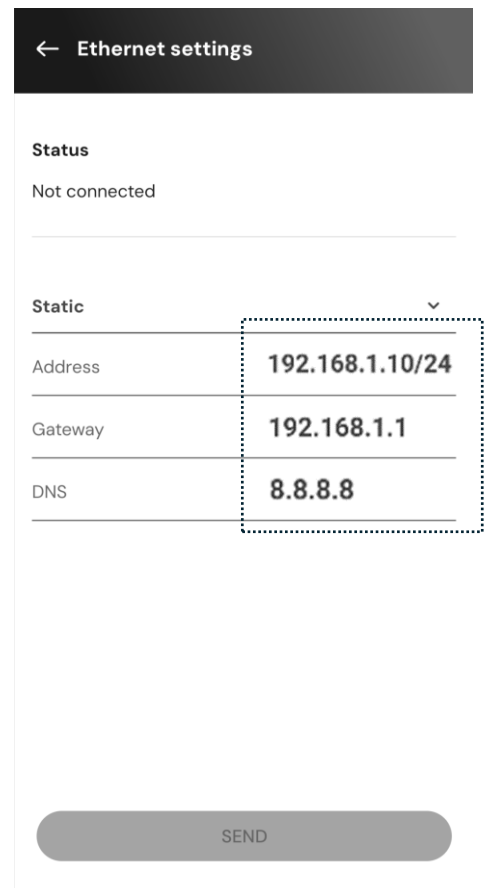
- Connection to CPMS or 3rd-party backend system via OCPP
- Energy Management System via Modbus TCP/IP

When connected, the Ethernet communication starts automatically with DHCP settings. Here you can modify the default settings.

Configuration procedure

- The Ethernet connection must be in place as described in 4.10.
- 1) On the **PowerUp** homepage, select **Ethernet settings**.
 - The **Ethernet Settings** page displays. It shows the status of the ethernet connection.
 - 2) Select the IP addressing mode, which can be:
 - **DHCP** (factory default): If the local router supports the DHCP protocol to set the IP address dynamically (factory default).

NOTE: If the DHCP Server is not available, the charger automatically sets a default static IP address (169.254.0.3/16). When the DHCP Server is restored, the charger's setting returns to DHCP.
 - **Static:** The IP address parameters are set manually. In this case, you can specify:
 - **Address** (mandatory): The IP address of the charger in CIDR notation, for example 192.168.1.10/24, where /24 indicates a 24-bit subnet mask (255.255.255.0), leaving 8 bits for the IP network to contain 256 IPv4 addresses, from 0 to 255.
 - **Gateway** (optional): The IP address of the default gateway, typically the local router to the Internet. For example, 192.168.1.1.
 - **DNS** (optional): The IP address of the DNS server. If you do not plan to use a specific server, you can enter the Google (8.8.8.8) or Cloudflare (1.1.1.1) DNS server address.
 - **None:** The Ethernet line is disabled.
 - 3) Select **SEND** and restart the charger from the homepage for the changes to take effect. To save time, you can restart later after making all necessary changes.
 - OCPP configuration is described in 5.15.
 - EMS configuration is described in **Error! Reference source not found..**



← Ethernet settings

Status
Not connected

Static ▼

Address	192.168.1.10/24
Gateway	192.168.1.1
DNS	8.8.8.8

SEND

5.6. Status

The **Status** page shows the status of:

- SIM card
- Wi-Fi connectivity

5.7. Charger parameters

The **Charger parameters** page allows you to view:

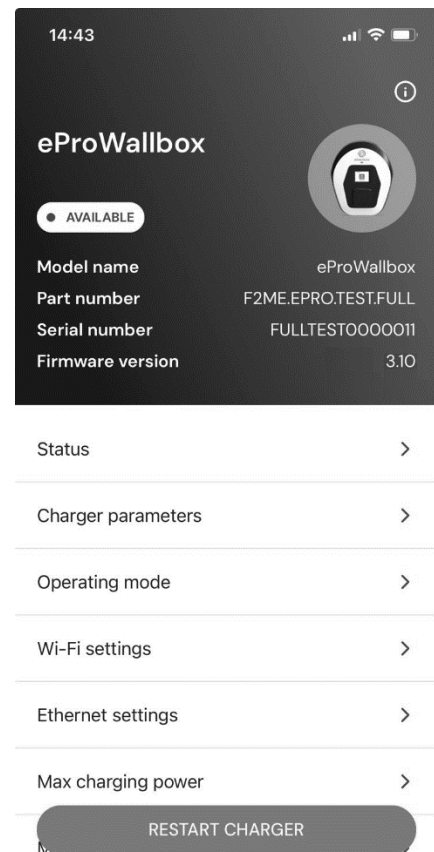
- Activation date
- Power supply (single-phase or three-phase)
- Rotary switch position indicating the maximum available power (see 4.6)

5.8. Firmware version view and update

The firmware version of the charger is displayed in the main page of PowerUp. Check that the version is covered in this manual (see 1.3). If necessary, get the correct version manual (see 1.4).

Firmware update process

- The charger must be connected to the internet through one of the following:
 - 4G LTE (eProWallbox only)
 - Wi-Fi
 - Ethernet
- Once connected, the firmware is automatically updated to the latest version in one or more steps. The entire process can take a few hours.
- The actual update starts when the charger is not in use.

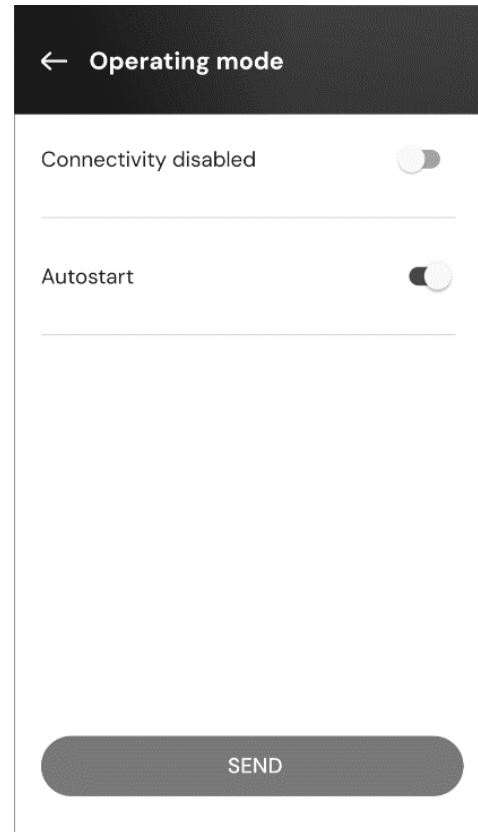


5.9. Operating mode

The **Operating mode** page enables you to set the connectivity and authorization options.

Configuration procedure

- 1) On the **PowerUp** homepage, select **Operating mode**.
→ The **Operating mode** page displays two parameters to set.
- 2) **Connectivity disabled**: Select whether the charger is connected to CPMS or not.
 - **Connectivity disabled** not set (factory default): The charger is connected to the Charge Point Management System (CPMS), which enables software updates, remote customer support and allows users to benefit from the maximum functionality of the User App (see 3.8).
 - **Connectivity disabled** set: The charger works in standalone mode and is not connected to the Charge Point Management System (CPMS). The user has access to limited functionality in the User App, available only via Bluetooth.
- 3) **Autostart**: Select whether authorization to charge is required.
 - **Autostart** set (factory default): No authorization is required, and the charging session can start by simply plugging the charging cable.
 - **Autostart** not set: Charging must be authorized by:
 - Presenting the Charging pass (RFID) on the charger (**eProWallbox** model only)
 - Authorizing the session from the User App (see 3.8). This is only available if the charger is connected to a CPMS.
- 4) Select **SEND** and restart the charger from the homepage for the changes to take effect. To save time, you can restart later after making all necessary changes.

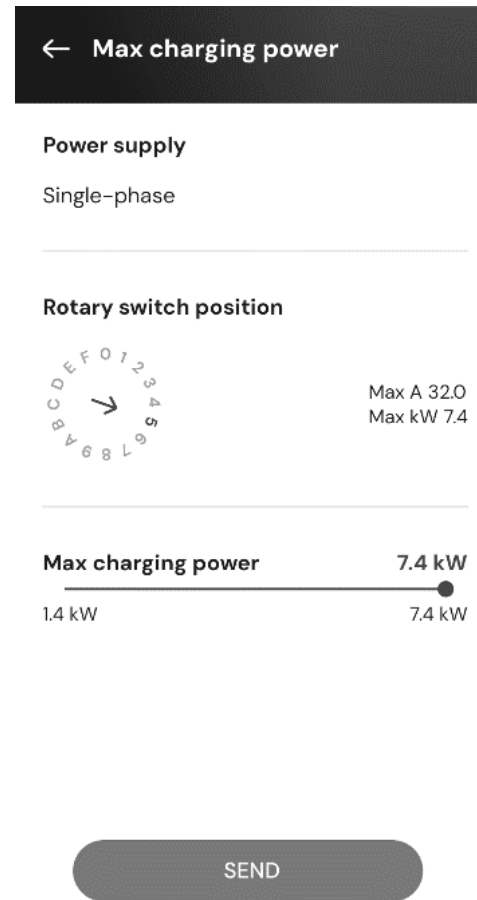


5.10. Max Charging Power

The **Max charging power** page allows you to reduce the maximum available power as set during the electrical installation with the rotary switch **SW1**.

Configuration procedure


- 1) In the **PowerUp** homepage, select **Max charging power**.
 - The **Max charging power** page shows the position of the rotary switch that determines the type of power supply (single or three phase) and the maximum power limit (see 4.6).
- 2) Adjust the **Max charging power** slider to reduce the max value as necessary.
- 3) Select **SEND** and restart the charger from the homepage for the changes to take effect. To save time, you can restart later after making all necessary changes.



← Max charging power

Power supply
Single-phase

Rotary switch position



Max A 32.0
Max kW 7.4

Max charging power 7.4 kW

1.4 kW 7.4 kW

SEND

5.11. Power Management

The Power Management page allows you to set the desired power management feature, choosing between:

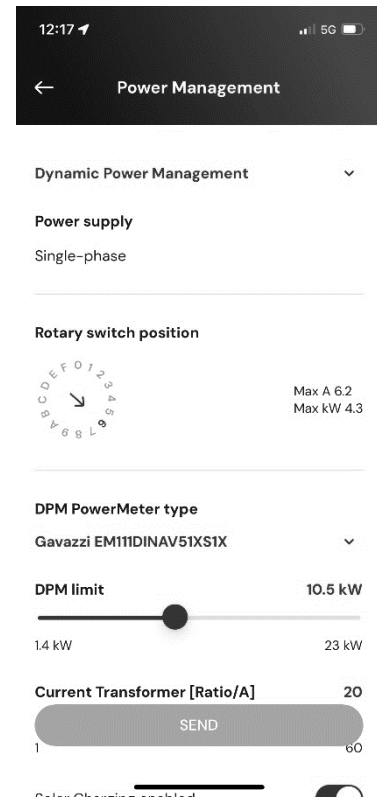
- Disabled: all features are OFF
- Dynamic Power Management (PowerMeter DPM)
- Main/Satellite
- Home Energy Management System (ModBus server) - factory default

5.11.1. Dynamic Power Management

The **Dynamic Power Management** page allows you to set the DPM options.

Configuration procedure

- The **PowerMeter (DPM)** connection must be in place as described in 4.9.1.
 - The **PowerMeter (DPM)** must be configured as described in 5.2.
- 1) In the **Power Management** page, select **Dynamic Power Management**.
 - 2) In **DPM PowerMeter type**, select the installed device among those in the list.
 - 3) In **DPM limit** set the contractual power. For indirect DPM PowerMeter models set the Current Transformer ratio or Ampere.
 - 4) If installed, configure the **Solar charging** (see below).
 - 5) Select **SEND** and restart the charger from the homepage for the changes to take effect. To save time, you can restart later after making all necessary changes.



5.11.1.1. Solar Charging and Energy Storage Settings

Solar charging allows you to integrate the charger with an existing solar photovoltaic system (PV) to maximize the use of renewable energy sources when charging the vehicle.

This is only supported when a PowerMeter (DPM) is installed and configured. For the proper DPM positioning, refer to the diagrams in 4.8.1.

In the **Dynamic Power Management** configuration (see 5.11.1):

- 1) Enable **Solar Charging** by clicking on the toggle. Then select one of the following:
 - Hybrid mode: Both grid and PV power are used.
 - Green mode: Maximizes the use of PV power.

NOTE: Green mode may temporarily stop charging if there is not enough PV power available.
- 2) Enable **Energy Storage**, if available.

5.11.2. Main/Satellite

The **Main/Satellite** page allows you to configure a network of chargers, where a Main charger can coordinate via RS485 up to five Satellite chargers for balanced operation according to the maximum power available at the common connection point.

To set up the Main/Satellite, on the installer App, you must configure the Main charger and the Satellite chargers as described below.

Main charger configuration procedure

- The Modbus RS485 connection must be in place as described in 4.9.4.
 - 1) In the **Power Management** page, select **Main/Satellite**.
 - 2) Enable the feature.
 - 3) In **M/S role** select **Main** for the Main charger.
 - 4) In **Group power limit**, move the slider to set the maximum power for the set of networked chargers.
 - 5) Select **SEND** and restart the charger from the homepage for the changes to take effect. To save time, you can restart later after making all necessary changes.

Satellite charger configuration procedure

- The Modbus RS485 connection must be in place as described in 4.9.4.
 - 1) In the **Power Management** page, select **Main/Satellite**.
 - 2) Enable the feature.
 - 3) In **M/S role** select **Satellite** and unique number from 1 to 5.
 - 4) Select **SEND** and restart the charger from the homepage for the changes to take effect. To save time, you can restart later after making all necessary changes.

5.11.3. Home Energy Management System (ModBus server) settings

The charger can be connected to an Energy Management System (EMS) or another Modbus device via Modbus RTU over RS485 or Modbus TCP/IP over Ethernet.

This function is enabled by default in the app menu.

- ➔ The HEMS functions are based on Modbus as described in the Modbus Maps documentation. See 1.4.

Configuration procedure

- 1) In the **Power Management** page, select **Home Energy Management System**.
- 2) In **Modbus protocol**, select **RTU or TCP/IP**.

5.11.3.1. Modbus RTU

Configuration procedure

- The RS485 cabling must be carried out as described in the section 4.9.
- 1) Enter the Modbus RS485 RTU parameters:
 - **Modbus RTU address**: 1 by default (from 1 to 32)
 - **Baud rate**: 115200 by default.
 - 2) Select **SEND** and restart the charger from the homepage for the changes to take effect. To save time, you can restart later after making all necessary changes.

5.11.3.2. Modbus TCP/IP

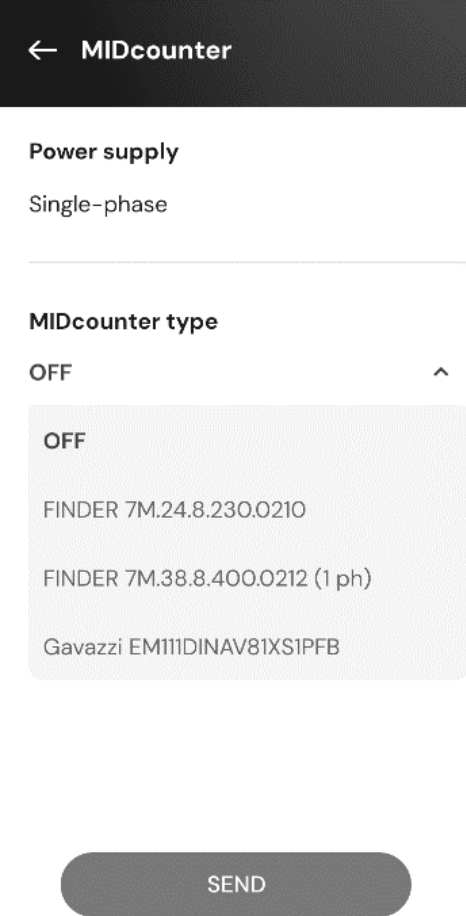
Configuration procedure

- The Ethernet connection must be established as described in 4.10.
- 1) Enter the Modbus TCP/IP parameters:
 - **Port**, by default 502. You can change it in case of conflict with other applications.
 - **Timeout**: by default, 1000 msec. You can change it in case of conflict with other applications.
 - The **IP** (mandatory), **Gateway** and **DNS** addresses can be configured.
 - 2) Select **SEND** and restart the charger from the homepage for the changes to take effect. To save time, you can restart later after making all necessary changes.

5.12. MIDcounter

Configuration procedure

- The **MIDcounter** connection must be in place as described in 4.9.2.
 - The **MIDcounter** must be configured as described in 5.2.
- 1) On the **PowerUp** homepage, select **MIDcounter**.
 - 2) In **MIDcounter type**, select one of the following:
 - **OFF** (factory default) if you do not have **MIDcounter** installed.
 - The installed device among those in the list.
 - 3) Select **SEND** and restart the charger from the homepage for the changes to take effect. To save time, you can restart later after making all necessary changes.



← MIDcounter

Power supply
Single-phase

MIDcounter type
OFF ^

OFF

FINDER 7M.24.8.230.0210

FINDER 7M.38.8.400.0212 (1 ph)

Gavazzi EM111DINAV81XS1PFB

SEND

5.13. Country-Specific settings

The **Country settings** page enables you to set functionalities for specific countries.

NOTICE

As the installer, it is your responsibility to verify that these regulations are still in effect and to check for any additional local regulations that may be relevant to the use of this product in the country of installation.

5.13.1. Load Unbalance (AT, CH, DE, NL)

Load Unbalance is a power management function to comply with standards for Austria, Germany, the Netherlands, and Switzerland, where the current unbalance between phases must not differ by more than a certain value. This function prevents single-phase vehicles from drawing more unbalanced current from the grid than required by local regulations.

The Load Unbalance function is disabled (**OFF**) by default. To enable it:

- 1) On the **PowerUp** homepage, select **Country Settings**.
- 2) In **Unbalanced load**, select the value according to local standards:
 - **20 A** for Germany
 - **16 A** for Austria, Switzerland, and the Netherlands.
- 3) Select **SEND** and restart the charger from the homepage for the changes to take effect. To save time, you can restart later after making all necessary changes.

5.13.2. Random Delay (UK)

Mandatory for the United Kingdom, this function causes charging sessions to start with a random delay between 0 and the selected value. The default value is 10 minutes, and the maximum allowed value is 30 minutes.

The function is disabled by default. To enable it:

- 1) On the **PowerUp** homepage, select **Country Settings**.
- 2) Enable **Random delay** and set the desired delay time (minutes and seconds).
- 3) Select **SEND** and restart the charger from the homepage for the changes to take effect. To save time, you can restart later after making all necessary changes.

➔ Users can activate, deactivate, and adjust the delay time from the User App (see 3.8).

5.14. Internet mobile parameters

The **Internet mobile parameters** page allows you to set the mobile communication parameters required when you have a 4G LTE connection.

Configuration procedure

- 1) On the **PowerUp** homepage, select **Internet mobile parameters**.
→ The **Internet mobile parameters** page appears displaying SIM information.
- 2) Enter the following mobile Internet access information:
 - **APN**, the Access Point Name provided by your operator.
The default address is **cpms.esolutions.com**.
 - **APN user** and **APN password**, the access credentials (if required).
 - **SIM PIN**, the security code to activate your SIM card (if required).
- 3) Select **SEND** and restart the charger from the homepage for the changes to take effect. To save time, you can restart later after making all necessary changes.

←
Internet mobile parameters

SIM ICCID
89882390000368344019

SIM status
SIM not present

APN
cpms.esolutions.com

APN user
APN user

APN password
APN password ⌵

SIM PIN
SIM PIN ⌵

SEND

5.15. Backend OCPP configuration

By default, the charger is configured to connect to a Charge Point Management System (CPMS). If required, the charger can connect to a 3rd-party backend platform using the OCPP 1.6 JSON protocol. Connection can be made via:

- Wi-Fi (Wi-Fi setting is required, see 5.4).
- Ethernet (Ethernet setting is required, see 5.5).
- 4G LTE (Internet Mobile Parameters setting is required, see 5.14).

NOTE: 4G LTE is only supported by the **eProWallbox** model, not available on the **eProWallbox Move** model. See also 1.1.

The function supports clear text or TLS encrypted OCPP connection.

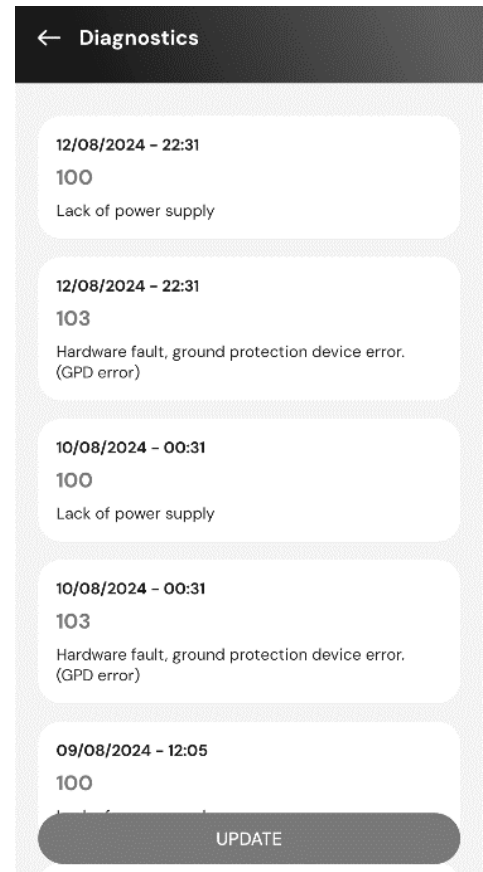
Configuration procedure

- 1) On the **PowerUp** homepage, select **Backend OCPP configuration**.
- 2) Select from the drop down list the desired CPMS address.
The default CPMS is: **Free2move eSolutions (wss://ocpp.cpms.esolutionscharging.com/ocpp)**
- 3) Select **SEND** and restart the charger from the homepage for the changes to take effect. To save time, you can restart later after making all necessary changes.

5.16. Diagnostics

The **Diagnostics** page provides access to the list of events, anomalies and errors that have occurred on the charger.

- 1) From the **PowerUp** homepage, select **Diagnostics** to view the diagnostic log.
→ The list of events is displayed. It includes:
 - The date and time of the event
 - The 3-digit error code
 - Brief description of the event
- 2) Use the error code to troubleshoot issues (see section 6).



6. TROUBLESHOOTING

Error conditions are stored in the diagnostic logs and shown on the charger panel:

- On the **eProWallbox Move** model, the LED bar blinks red. See the **Diagnostic** section of PowerUP (5.16) or the User App for the detailed error code.
- On the **eProWallbox** model, the display shows the error code, which is also available in the **Diagnostic** section of PowerUP (5.16).

When an error occurs, the charge is interrupted, and the socket is unlocked to allow you to disconnect the plug.

The following table provides a list of errors that can occur and the relative troubleshooting. If the error persists, note the serial number on the charger label (see 3.3) and contact Customer Service (see section 9).

Error code / Issue	Error Description	Troubleshooting
100	Lack of power supply	<ul style="list-style-type: none"> • Check if the circuit breaker is ON. • Check that the CN1 cabling is correct. • Check the voltage in CN1.
101	Overheating	<ul style="list-style-type: none"> • Disconnect the Type 2 cable, wait for the temperature to drop, then the error will clear. • To restart the charging session, plug in the cable again. • Make sure that installation site is compatible with temperature range (25°C/+50°C without direct exposure to sunlight).
102	Communication error between MCU and MPU.	<ul style="list-style-type: none"> • Restart the charger from the circuit breaker, leaving the charger switched off for at least 60 seconds.
103	Hardware fault, ground protection device error (GPD error)	<ul style="list-style-type: none"> • Check the cabling on CN1: <ul style="list-style-type: none"> - in single-phase, make sure that ground cable is connected to PE, the Neutral cable is connected to N and the phase cable to T - in three-phase, make sure that the ground cable is connected to PE, the Neutral cable is connected to N and the phase cables L1, L2 and L3 are connected to R, S, and T. • Check whether the voltage difference between PE and N does not exceed 10V. • Check PE connection. • If all connections are checked and the error persists, open the charger and modify the configuration of the DIP switch (SW2) connector, according to 4.7.
104	Hardware fault, residual current monitor AC error. (RCM AC trip)	<ul style="list-style-type: none"> • Try to start a new charging session, removing and plugging in all the connectors. • If the problem persists, check for the presence of any problems in the charging cable or vehicle inlet. • If the cables and the EV do not show any problem, check CN27 connector and RCM cable. See 3.6.
105	Hardware fault, residual current monitor DC error. (RCM DC trip)	<ul style="list-style-type: none"> • Check that the problem is not with the cable or vehicle. If possible, try another charging session with a different cable or vehicle.
106	Internal meter error	<ul style="list-style-type: none"> • Restart the charger from the circuit breaker, leaving the charger switched off for at least 60 seconds.

Error code / Issue	Error Description	Troubleshooting
107	PowerMeter (DPM) communication error	<ul style="list-style-type: none"> • Check that the communication configuration on the DPM PowerMeter device is correct. See 5.2. • Check that the DPM model configuration in the installer App is correct. See 5.11. • Check the communication cable wiring on CN12. See 4.9. • Check that the communication cable used is suitable for Modbus RS485 and cable length. See 4.9.
108	Configuration Error, Rotary switch position (supply type) is not consistent with the DPM/ MID type	<ul style="list-style-type: none"> • Check the position of the rotary switch. If it is not consistent with the 1-ph/3-ph installation, change it according to the table in the manual, then restart the charger. • If the accessories (DPM/MID) are not installed, make sure that the function is disabled in the installer App. See 5.11 and 5.11.2. • If the accessories (DPM/MID) are installed, check that the correct model is selected on the installer App (see 5.11 and 5.11.2). Then restart the charger.
109	Main/Satellite RS485 communication error	<ul style="list-style-type: none"> • Check the configuration of the M/S Network set up from installer App. • Check that the Main charger is available. • Check that the wiring of the communication cable on CN9 and CN10 is correct. See 4.9.4. • Check that the communication cable used is suitable for Modbus RS485.
110	MIDcounter communication error	<ul style="list-style-type: none"> • Check that the communication configuration on the MIDcounter device is correct. See 5.2. • Check the communication cable wiring on CN12. See 4.9. • Check that the communication cable used is suitable for Modbus RS485. • Check that the MID model configuration in the installer App is correct. See 5.11.2.
112	Relay configuration error	<ul style="list-style-type: none"> • Contact customer service.
113	RFID reader disconnected	<ul style="list-style-type: none"> • Verify the cable connection between the RFID reader (see section 3.6 – number 9) and the connector CN11 on the main board. Then restart the charger.
114		
115	4G/LTE board disconnected	<ul style="list-style-type: none"> • Verify the proper connection between 4G/LTE board (see section 3.6 – number 4) and connector CN8 on the main board. Then restart the charger.
116	Display disconnected	<ul style="list-style-type: none"> • Verify the cable connection between the Display flat cable and the connector CN25 on the main board. Then restart the charger.
118	Wi-Fi board failure	<ul style="list-style-type: none"> • Contact customer service.
119	BLE board failure	<ul style="list-style-type: none"> • Contact customer service.
300	Inconsistency between the charger contactor command and feedback	<ul style="list-style-type: none"> • Restart the charger from the circuit breaker, leaving the charger switched off for at least 60 seconds. • If error persists after restart, call Customer Service.
301	Short circuit detected on the Control Pilot line.	<ul style="list-style-type: none"> • With the charger switched off, check that there is no damage and no defects inside and outside the socket (if so, avoid using the charger and contact Customer Service (see section 9). • Check that the problem is not related to the cable or vehicle and try another charge session (with another vehicle or cable if possible).
302	State E or F set on the Control Pilot line.	<ul style="list-style-type: none"> • With the charger switched off, check that there is no damage and no defects inside and outside the cable and its connectors (if so, avoid using it and attempt charge with another cable). • Check that the cable connectors are fully inserted inside the charger socket and vehicle inlet.
303	Control Pilot disconnected.	
304	Proximity Pilot disconnected.	

Error code / Issue	Error Description	Troubleshooting
305	Broken Proximity Pilot detected.	<ul style="list-style-type: none"> Check that the problem is not related to the cable or vehicle and try another charge session (with another vehicle or cable if possible).
306	Diode fault detected on Control Pilot line (no -12V).	<ul style="list-style-type: none"> Attempt a new charging session unplugging and reinserting the cable from both the charger and vehicle inlet.
307	Control Pilot disconnected.	<ul style="list-style-type: none"> With the charger switched off, check that there is no damage and no defects inside and outside the cable and its connectors (if so, avoid using it and attempt charge with another cable). Check that the cable connectors are fully inserted inside the charger socket and vehicle inlet. Check that the problem is not related to the cable or vehicle and try another charge session (with another vehicle or cable if possible).
308	Inconsistency between the motor command and feedback, or the motor is in an error condition.	<ul style="list-style-type: none"> Attempt a new charging session unplugging and reinserting the cable from both the charger and vehicle inlet. Check that the cable connectors are fully inserted inside the charger socket and vehicle inlet.
309	309 Motor check error during EVSE initialization phase.	<ul style="list-style-type: none"> Restart the charger from the circuit breaker, leaving the charger switched off for at least 60 seconds.
310	Error detected before charging (PP not detected, or motor fault, or CP not detected).	<ul style="list-style-type: none"> With the charger switched off, check that there is no damage and no defects inside and outside the cable and its connectors (if so, avoid using it and attempt charge with another cable). Check that the cable connectors are fully inserted inside the charger socket and vehicle inlet.
311	Error detected after charging (motor fault, or CP not disconnected).	<ul style="list-style-type: none"> Check that the problem is not related to the cable or vehicle and try another charge session (with another vehicle or cable if possible).
312	Emergency stop received from the MPU.	<ul style="list-style-type: none"> Restart the charger from the circuit breaker, leaving the charger switched off for at least 60 seconds.
313	Current detected during charging, with 100% duty cycle on the Control Pilot line.	<ul style="list-style-type: none"> Check that the problem is not cable nor vehicle related, attempt a new charging session with another cable and/or charger.
315	Current over limits on phase L1	<ul style="list-style-type: none"> Unplug the cable, if possible lower the power of charge on the vehicle side and attempt a new charging session. If possible, recharge with another vehicle. If the alarm does not appear, the problem may lie with the vehicle. Contact your dealer.
316	Current over limits on phase L2	
317	Current over limits on phase L3	
318	Voltage below a threshold on phase L1	<ul style="list-style-type: none"> Check the rotary switch position is consistent with 1-ph/3-ph installation. See 4.6. Check that the voltage on CN1-T is above 196 V. If the voltage is below 196 V, check the electric system or contact the energy supplier.
319	Voltage below a threshold on phase L2	<ul style="list-style-type: none"> The rotary switch is in a three-phase position. Check that the intended installation in three-phase. If not, select the correct rotary switch position as per Installation Manual.

Error code / Issue	Error Description	Troubleshooting
320	Voltage below a threshold on phase L3	<ul style="list-style-type: none"> Check that the voltage on CN1-S is above 196 V. If the voltage is below 196V, check the electric system or contact the energy supplier. If an error occurs during vehicle charging, try to reduce the set-up charging power and verify that the electric system is correctly dimensioned for the power drawn by the vehicle.
321	Communication error between the charger and the vehicle	<ul style="list-style-type: none"> Update the Firmware of the charger (FW version 3.10.0 and higher) If the error persists, contact the vehicle manufacturer (EV does not meet IEC 61851-1 standards for starting a charge session.)
	Display/LED stuck in Welcome mode (LED blinks red-green-blue)	<ul style="list-style-type: none"> Restart the charger from the circuit breaker, leaving the charger switched off for at least 60 seconds.
	LED or display does not light up at startup	
	The charger does not start	<ul style="list-style-type: none"> Let the unit restart, it may take up to 30 seconds. Check if the circuit breaker is ON. Check that the CN1 cabling is correct. Check the voltage in CN1. Restart the charger from the circuit breaker, leaving the charger switched off for at least 60 seconds.
	Cable stuck in the charger socket	<ul style="list-style-type: none"> Turn off the charger from the circuit breaker, then remove the cable.
	Suspended Charging with solid green LED/message on the display. The charging session is suspended by the DPM or the EV. The session may resume.	<ul style="list-style-type: none"> Verify that the max power in the DPM power limit section of the installer App is consistent with the contract power value in kW as indicated in the user's electricity contract. If the value is correct, wait for the charging session to resume or turn off some house loads. In the case of 3-ph installation, verify that the electrical loads are well balanced on the phases of the domestic system.
	App pairing does not complete after QR scan.	<ul style="list-style-type: none"> Check the integrity of the QR code on the label. Update the App to the latest version. Close and restart the App, then try again. Restart the charger from the circuit breaker, leaving the charger switched off for at least 60 seconds.

7. CLEANING

Cleaning the outside of the charger is recommended whenever necessary, using a soft damp cloth with a mild detergent. When finished, wipe off any traces of moisture or liquid with a soft dry cloth.



CAUTION

Avoid strong air or water jets and use detergents with PH value between 7 and 9. Avoid using highly acidic (pH < 6) or highly alkaline (pH > 10) cleaners, as they can damage the plastic or discolor over time.

8. DISPOSAL

8.1. Packaging disposal

Dispose of packaging in an environmentally responsible manner. The packaging materials are recyclable and should be disposed of according to local regulations.

Follow the disposal instructions provided on the packaging materials:



Cardboard



Paper



Plastic

8.2. Product disposal

The charger contains electronic components, wiring, and materials that should not be disposed of in regular trash. Instead, you should dispose of the device at a recycling facility equipped to handle and recycle electronic waste (WEEE).

Disposal of electronic waste, including EV chargers, is often subject to local regulations that you must follow to avoid legal issues and environmental harm.

9. ASSISTANCE

If you have any questions about the use of the product, need further information or have requests for support, contact Customer Service:

See the Free2move eSolutions website:

https://www.esolutions.free2move.com/eu/en_it/contact-us/

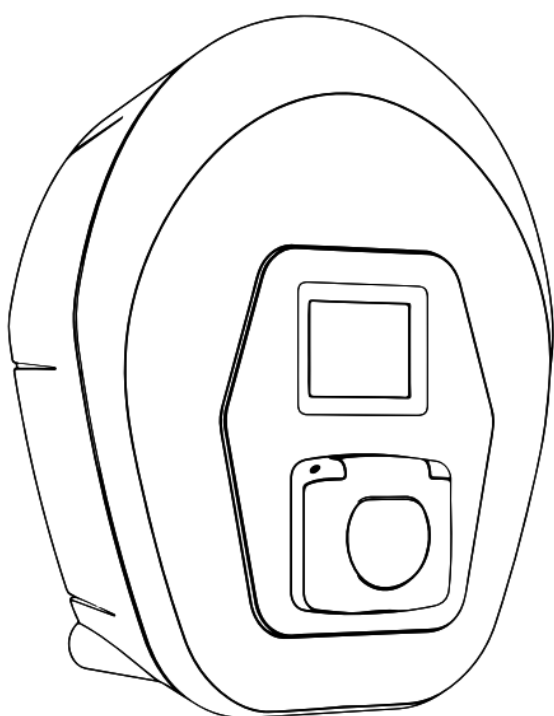
When contacting Customer Service, please have the following information available:

- Name of the model (see 1.1)
- Serial number (see 3.3)
- Installer name and purchase invoice information.

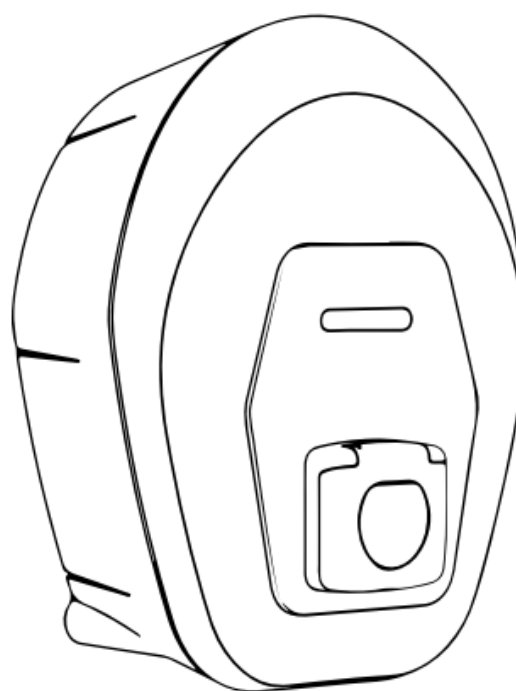


MANUEL D'INSTALLATION

FR



 **eProWallbox**



 **eProWallbox Move**



Pour une utilisation sûre et correcte,
suivez ces instructions.
Conservez-les pour toute référence ultérieure.

Firmware V3.xx
Rev.06 - 04/2025
PKM.000019

INDEX

1.	A PROPOS DE CE DOCUMENT	5
1.1.	Objet du présent manuel	5
1.2.	Public cible	5
1.3.	Historique des révisions	5
1.4.	Documentation complémentaire	5
1.5.	Identification du fabricant	5
1.6.	Conditions de garantie et de livraison, Clause de non-responsabilité	6
1.6.1.	Déclaration du fabricant concernant les essais de résistance d'isolation	6
1.7.	Clause de non-responsabilité concernant l'exactitude du contenu	7
1.8.	Glossaire	8
2.	SÉCURITÉ	9
2.1.	Sécurité des produits	9
2.2.	Qualifications requises pour l'installateur	9
2.3.	Avertissements de sécurité importants	10
2.4.	Messages de sécurité	11
2.4.1.	Symboles et définitions	12
2.5.	Équipement de protection individuelle (EPI)	13
3.	INFORMATIONS GÉNÉRALES	14
3.1.	eProWallbox et eProWallbox Move	14
3.2.	Domaines d'utilisation	14
3.3.	Étiquette d'identification	15
3.4.	Dimensions et caractéristiques du produit	16
3.5.	Spécifications techniques	17
3.6.	Disposition de la carte mère	18
3.7.	Schéma de connexion	19
3.8.	Applications	20
3.8.1.	Application d'installation	20
3.8.2.	Application utilisateur	20
4.	INSTALLATION	21
4.1.	Déroulement de l'installation	21
4.2.	Conditions d'installation s	22
4.2.1.	Connaître les critères de sécurité	22
4.2.2.	Vérifier la compatibilité du site d'installation	23
4.2.3.	Vérifier l'alimentation électrique	24
4.2.4.	Vérifier les exigences du réseau de chargeurs M/S	25
4.2.5.	Vérifier l'emballage du produit	25

4.2.6.	Se procurer les outils nécessaires	26
4.3.	Protection électrique externe	27
4.4.	Fixation du chargeur au mur	28
4.5.	Connexion de l'alimentation électrique au chargeur	30
4.5.1.	Installation monophasée	32
4.5.2.	Installation triphasée	33
4.6.	Réglage de la puissance maximale sur le commutateur rotatif SW1	34
4.7.	Réglage des commutateurs DIP h SW2	35
4.8.	Installation du PowerMeter (DPM) et du MIDcounter	36
4.8.1.	Installation de PowerMeter (DPM).....	37
4.8.2.	Installation de MIDcounter	41
4.8.3.	Installation combinée du PowerMeter (DPM) et du MIDcounter	43
4.9.	Connexions de communication Modbus RS485	44
4.9.1.	Connexion du PowerMeter (DPM)	45
4.9.2.	Connexion du compteur MID	48
4.9.3.	Connexion du PowerMeter (DPM) et du compteur MID.....	50
4.9.4.	Connexion des chargeurs dans le réseau Charger Network/S M/S	53
4.10.	Connexion Ethernet.....	54
4.11.	Vérification du système, fermeture et mise sous tension	55
4.11.1.	Écrans d'affichage eProWallbox.....	56
4.11.2.	eProWallbox Move Barre LED.....	60
5.	MISE EN SERVICE.....	61
5.1.	Processus de mise en service	61
5.2.	Configuration du PowerMeter (DPM) et du MIDcounter	62
5.2.1.	Configuration des modèles Finder	62
5.2.2.	Configuration des modèles Gavazzi	63
5.2.3.	Résumé de la configuration des compteurs d'énergie	64
5.3.	Lancement de PowerUp	65
5.4.	Paramètres Wi-Fi.....	66
5.5.	Paramètres Ethernet	67
5.6.	Statut.....	68
5.7.	Paramètres du chargeur	68
5.8.	Version du micrologiciel visualiser et mettre à jour.....	68
5.9.	Mode de fonctionnement	69
5.10.	Puissance de charge maximale.....	70
5.11.	Gestion de l'énergie	70
5.11.1.	Dynamic Power Management	71
5.11.2.	Main/Satellite	72
5.11.3.	Paramètres du système de gestion de l'énergie (serveur ModBus)	73

5.12.	MIDcounter.....	74
5.13.	Paramètres spécifiques au pays.....	75
5.13.1.	Déséquilibre de charge (AT, CH, DE, NL).....	75
5.13.2.	Random Delay (UK).....	75
5.14.	Paramètres de l'Internet mobile.....	76
5.15.	Configuration du backend OCPP.....	76
5.16.	Diagnostics.....	77
6.	DÉPANNAGE.....	78
7.	NETTOYAGE.....	82
8.	ÉLIMINATION.....	83
8.1.	Élimination des emballages.....	83
8.2.	Élimination des produits.....	83
9.	ASSISTANCE.....	84

1. A PROPOS DE CE DOCUMENT

1.1. Objet du présent manuel

Ce manuel d'installation est un guide pour travailler en toute sécurité et effectuer l'installation des modèles de chargeurs suivants :

eProWallbox Move (F2ME.EPROSEYYXXX)

Station de recharge intelligente en courant alternatif jusqu'à 22 kW, disponible en version monophasée et triphasée. Avec interface LED.

eProWallbox (F2ME.EPROSCYYXXX)

Station de recharge intelligente en courant alternatif jusqu'à 22 kW, disponible en monophasé et triphasé. Avec interface Display, lecteur de Charging Pass (RFID) et connectivité complète via 4G/LTE.

1.2. Public cible

Ce document est destiné à être utilisé par un technicien qualifié en installation électrique.

Se référer à 2.2 pour connaître les qualifications requises pour installer le chargeur.

1.3. Historique des révisions

Révision	Date	Description
04	01/2023	Correspond à la version 2.9.x du micrologiciel
05	10/2024	Correspond à la version 3.xx du micrologiciel
06	04/2025	Correspond à la version 3.xx du micrologiciel

→ Pour vérifier et mettre à jour la version du micrologiciel, voir 5.8.

1.4. Documentation complémentaire

En plus de ce manuel, la documentation de nos produits peut être consultée et téléchargée en visitant le site web :

https://www.esolutions.free2move.com/eu/en_gb/information-hub/

Ressources vidéo eSolutions

<https://www.youtube.com/@free2moveesolutions6/videos>

1.5. Identification du fabricant

Le fabricant du chargeur est :

Free2move eSolutions S.p.A.

Piazzale Lodi, 3

20137 Milan - Italie

www.esolutions.free2move.com

1.6. Conditions de garantie et de livraison, Clause de non-responsabilité

Les détails de la garantie sont décrits dans les conditions générales de vente jointes au bon de commande de ce produit et/ou dans l'emballage du produit.

Free2move eSolutions S.p.A. n'assume aucune responsabilité en cas de non-respect des instructions pour une installation correcte et ne peut être tenue responsable des systèmes en amont ou en aval de l'équipement fourni.

Free2move eSolutions S.p.A. ne peut être tenu responsable des défauts ou dysfonctionnements dérivant de : l'utilisation impropre du chargeur ; la détérioration due au transport ou aux conditions environnementales ou à l'installation par des personnes non qualifiées.

AVIS

Toute modification, manipulation ou altération du matériel ou du logiciel non expressément convenue avec le fabricant entraîne l'annulation immédiate de la garantie.

1.6.1. Déclaration du fabricant concernant les essais de résistance d'isolation

A notre connaissance, nous déclarons par la présente que les produits eProWallbox et eProWallbox Move, ci-après "nos produits", **comprennent des dispositifs de protection contre les surtensions et d'autres circuits qui peuvent être endommagés par la vérification de la résistance d'isolement** décrite dans la norme IEC 60364-6 clause 6.4.3.3.

Selon les réglementations nationales de différents pays (par exemple, Art 86 del D. Lgs. 81/08 en Italie), il peut être nécessaire de vérifier périodiquement l'installation électrique, en effectuant une série d'essais, y compris des essais de résistance d'isolement. **Pendant les essais, nos produits doivent être déconnectés avant d'effectuer l'essai de résistance d'isolement**, comme indiqué dans la norme IEC 60364-6 clause 6.4.3.3 et dans la réglementation nationale dérivée (par exemple, CEI 64-8 clause 6.4.3.3 en Italie).

Nous vous informons en outre que :

- Nos produits ont été évalués conformément à la norme IEC 61851-1:2017 et sont donc entièrement conformes.
- La norme CEI 61851-1:2017 inclut l'essai de type de résistance d'isolement dans la clause 12.5.
- Nos produits sont soumis à l'essai de résistance d'isolation en tant qu'essai de routine conformément à la norme IEC 61439-1 : 2020 clause 11.9 au cours du processus de fabrication.

Clause de non-responsabilité

Free2move eSolutions S.p.A. ne peut être tenu responsable de tout défaut d'isolation pouvant survenir dans le circuit d'alimentation de nos produits.

Free2move eSolutions S.p.A. ne peut être tenue responsable des dommages éventuels causés à nos produits soumis à des tests de résistance d'isolation sur le terrain.

1.7. **Clause de non-responsabilité concernant l'exactitude du contenu**

Ce document a été soigneusement vérifié par le fabricant Free2move eSolutions S.p.A., mais des oublis ne peuvent être totalement exclus. Si vous constatez des erreurs, veuillez en informer Free2move eSolutions S.p.A. (voir section 9).

Sauf obligations contractuelles explicites, Free2move eSolutions S.p.A. ne peut en aucun cas être tenue responsable des pertes ou des dommages résultant de l'utilisation de ce manuel ou de l'installation de l'équipement.

Free2move eSolutions S.p.A. ne sera pas tenue responsable des dommages causés directement ou indirectement à des personnes, des choses ou des animaux en raison du non-respect de toutes les dispositions énoncées dans le présent manuel, ainsi que des avertissements relatifs à l'installation et à l'entretien du chargeur.

Free2move eSolutions S.p.A. se réserve tous les droits sur ce document, l'article et les illustrations qu'il contient. La reproduction, totale ou partielle, la divulgation à des tiers ou l'utilisation de son contenu est interdite sans l'accord écrit préalable de Free2move eSolutions S.p.A.

Toute information contenue dans ce manuel peut être modifiée sans préavis et ne représente aucune obligation de la part du fabricant. Les images figurant dans ce manuel sont fournies à titre d'illustration uniquement et peuvent différer du produit livré.

Ce document a été rédigé à l'origine en anglais. En cas d'incohérence ou de doute, veuillez demander à Free2move eSolutions S.p.A. le document original.

1.8. Glossaire

Durée	Description
Notation CIDR	La notation CIDR s'écrit sous la forme d'une adresse IP (voir IPv4) suivie d'une barre oblique (/) et du nombre de bits du masque de sous-réseau. Par exemple, 192.168.1.1/24 signifie l'adresse 192.168.1.1 et le masque de sous-réseau 255.255.255.0.
CP	Pilote de contrôle : Pilote pour la signalisation avant insertion des connecteurs EV de type 2.
SGPC	Système de gestion des points de charge : Système de gestion permettant une gestion avancée de l'énergie et une sécurité renforcée.
DHCP	Protocole de configuration dynamique de l'hôte : Protocole de gestion de réseau utilisé pour attribuer automatiquement des adresses IP aux appareils d'un réseau.
DNS	Système de noms de domaine : Système géré par un serveur DNS qui traduit les noms de domaine lisibles par l'homme en adresses IP.
DPM	Dynamic Power Management
EMS	Système de gestion de l'énergie : Un système qui fournit des services d'optimisation de l'énergie. Le système de gestion de l'énergie est connecté au chargeur via Modbus RS485 ou Ethernet TCP/IP.
EV	Véhicule électrique
IP	Protocole Internet : Le protocole principal utilisé pour déplacer des paquets de données sur l'internet. Voir aussi IPv4.
IPv4	L'IPv4 est basé sur une étiquette de 32 bits attribuée à chaque appareil en réseau. Les adresses IPv4 sont généralement écrites en notation décimale pointée, qui consiste en quatre nombres séparés par des points (par exemple, 192.168.1.1).
P/S	Principal/Satellite
Modbus	Protocole de communication populaire développé pour un usage industriel afin de permettre la communication entre les appareils électroniques.
Ocpp	Ocpp (Open Charge Point Protocol) : Norme ouverte permettant la communication et l'interopérabilité entre les stations de recharge des VE et les systèmes de gestion (voir CPMS).
PP	Pilote de proximité : Pilote pour la signalisation post-insertion des connecteurs EV de type 2.
PV	Photovoltaïque
EPI	Équipements de protection individuelle
RCM	Contrôleur de courant résiduel
RS485	Norme populaire qui définit les caractéristiques électriques des pilotes et des récepteurs utilisés dans les systèmes de communication série multipoints.
SOM	Module de mise en service du système : Le module enfichable qui contient les principaux composants informatiques.
TCP/IP	Transmission Control Protocol/Internet Protocol : Un ensemble de protocoles de communication utilisés pour connecter des dispositifs de réseau sur l'internet, le TCP assurant une transmission fiable et l'IP s'occupant de l'adressage et du routage (voir IP).
DEEE	Déchets d'équipements électriques et électroniques

2. SÉCURITÉ

2.1. Sécurité des produits

Ce manuel contient d'importantes consignes de sécurité qui doivent être respectées lors de l'installation et de l'entretien du produit. Conservez ce manuel à titre de référence pendant toute la durée de vie du produit, car il contient des informations essentielles pour une utilisation sûre et efficace.

Notez que, si le chargeur est utilisé d'une manière non spécifiée dans ce manuel, la protection fournie par le chargeur peut être altérée.

L'installation doit être effectuée par du personnel qualifié (voir 2.2). Un système d'alimentation électrique spécialisé et à la pointe de la technologie doit être conçu et installé, et le système doit être certifié conformément aux réglementations locales et au contrat de fourniture d'énergie.

En tant que technicien chargé de l'installation et de la maintenance, vous êtes tenu de lire et de comprendre entièrement ce manuel et de suivre scrupuleusement les instructions qu'il contient. Free2move eSolutions S.p.A. ne peut être tenue pour responsable des dommages causés aux personnes et/ou aux biens, ainsi qu'au chargeur, en cas de non-respect des conditions décrites dans ce document.



AVERTISSEMENT

L'installation doit être effectuée conformément à la réglementation en vigueur dans le pays d'installation, et dans le respect de toutes les règles de sécurité relatives à l'exécution de travaux électriques.

2.2. Qualifications requises pour l'installateur

L'installateur doit être qualifié, avoir reçu une formation appropriée et avoir démontré les compétences et les connaissances nécessaires à l'installation, au fonctionnement et à l'entretien de l'équipement d'alimentation des véhicules électriques, conformément à toutes les réglementations applicables.

Les installateurs qualifiés peuvent identifier les situations dangereuses imminentes et potentielles et agir en toute sécurité.

Une connaissance de base des réseaux IP est nécessaire pour la configuration d'Ethernet TCP/IP.

2.3. Avertissements de sécurité importants

Pour votre sécurité et celle des autres, il est important que vous lisiez et compreniez les avertissements de sécurité suivants avant d'installer et d'utiliser le chargeur.



DANGER

Risque d'électrocution et d'incendie. L'installation doit être effectuée conformément à la réglementation en vigueur dans le pays d'installation, et dans le respect de toutes les règles de sécurité relatives à l'exécution de travaux électriques.

- Avant d'installer ou d'utiliser le chargeur, assurez-vous qu'aucun de ses composants n'a été endommagé. Des composants endommagés peuvent entraîner des électrocutions, des courts-circuits et des incendies dus à une surchauffe. Un appareil endommagé ou défectueux ne doit pas être utilisé.
- Installez le chargeur loin des bidons d'essence ou des substances combustibles en général.
- Avant d'installer le chargeur, assurez-vous que la source d'alimentation principale a été déconnectée.
- Le chargeur doit être connecté à un réseau électrique conforme aux normes locales et internationales, ainsi qu'à toutes les exigences techniques indiquées dans ce manuel.
- Les enfants ou les autres personnes qui ne sont pas en mesure de mesurer les risques liés à l'installation et à l'utilisation du chargeur pourraient subir de graves blessures ou mettre leur vie en danger.
- Les animaux domestiques ou autres doivent être tenus à l'écart de l'appareil et du matériel d'emballage.
- Les enfants ne doivent pas jouer avec le chargeur, les accessoires ou l'emballage fourni avec le produit.
- Les seules pièces qui peuvent être retirées du chargeur sont le châssis extérieur et la couverture amovible.
- Le chargeur ne peut être utilisé qu'avec une source d'énergie.
- Il convient de prendre les précautions nécessaires pour garantir la sécurité d'utilisation des dispositifs médicaux implantables actifs. Pour savoir si le processus de chargement peut avoir un effet négatif sur le dispositif médical, veuillez contacter son fabricant.

2.4. Messages de sécurité

Pour garantir la sécurité et éviter les dommages, ce manuel contient plusieurs textes de précaution avec des instructions spécifiques. Ces instructions sont mises en évidence dans des encadrés spéciaux et sont accompagnées d'un symbole de danger général (à l'exception des AVIS et des REMARQUES, qui ne sont pas associés à des situations dangereuses spécifiques). Ces textes de précaution sont fournis pour assurer la sécurité du personnel effectuant les opérations décrites et pour prévenir les dommages au chargeur et/ou aux biens.



DANGER

Le non-respect des instructions entraînera une situation dangereuse imminente qui, si elle n'est pas évitée, entraînera la mort instantanée ou des blessures graves ou permanentes.



AVERTISSEMENT Le

non-respect des instructions entraînera une situation potentiellement dangereuse qui, si elle n'est pas évitée, pourrait entraîner la mort ou des blessures graves



ATTENTION

Le non-respect de l'avertissement entraînera une situation potentiellement dangereuse qui, si elle n'est pas évitée, pourrait causer des dommages mineurs au chargeur.

AVIS

Fournit des instructions concernant le comportement à adopter pour effectuer les opérations qui ne sont pas associées à d'éventuelles blessures physiques.

REMARQUE : fournit des informations supplémentaires pour compléter les instructions fournies.

2.4.1. Symboles et définitions



Avertissement général



Vous devez consulter le manuel d'origine et la documentation complémentaire



Interdiction ou restrictions



Bien qu'ils ne soient pas composés de matériaux nocifs pour la santé, les produits ne doivent pas être jetés avec les ordures ménagères, mais doivent être collectés séparément, étant donné qu'ils sont composés de matériaux recyclables.



Risque de tension électrique





Risque de surfaces chaudes

2.5. Équipement de protection individuelle (EPI)

Les équipements de protection individuelle (EPI) sont des équipements destinés à être portés par les travailleurs pour les protéger contre un ou plusieurs risques susceptibles de menacer leur santé ou leur sécurité au travail. Il comprend tout dispositif ou accessoire conçu à cet effet.

Tous les EPI mentionnés dans ce manuel étant destinés à protéger le personnel contre les risques pour la santé et la sécurité, il est recommandé de se conformer strictement aux instructions données dans les différentes sections de ce manuel.

Voici la liste des EPI à utiliser pour vous protéger des risques résiduels liés aux opérations d'installation et de maintenance décrites dans ce document.

Symbole	Signification
	Porter des gants de protection
	Porter des chaussures antistatiques



AVERTISSEMENT

En tant que technicien chargé de l'installation et de la maintenance, il vous incombe de lire et de comprendre les réglementations locales et d'évaluer les conditions environnementales du site d'installation afin de déterminer si des EPI supplémentaires sont nécessaires.

3. INFORMATIONS GÉNÉRALES

3.1. eProWallbox et eProWallbox Move

Les **eProWallbox** et **eProWallbox Move** sont des chargeurs AC pour véhicules électriques et hybrides rechargeables, idéaux pour les applications semi-publiques et résidentielles. Ils sont disponibles en configuration triphasée ou monophasée et sont équipés d'une prise de type 2.

Ils peuvent charger les véhicules électriques jusqu'à 22 kW en triphasé ou jusqu'à 7,4 kW en monophasé.

Ils comprennent des options de connectivité telles que la surveillance à distance via le système de gestion des points de charge (CPMS). Le modèle **eProWallbox** (voir 1.1) est équipé d'une carte SIM pour se connecter au réseau mobile et d'un lecteur de carte RFID pour autoriser la recharge.

Plusieurs chargeurs peuvent partager le même point de connexion électrique et équilibrer dynamiquement la charge à l'aide d'un réseau de chargeurs principal/satellite (M/S) basé sur RS485.

Ce document décrit comment installer le chargeur. Une description de ses caractéristiques est fournie afin d'identifier les composants clés et de préciser les termes techniques utilisés dans ce manuel.

AVIS

Pour les instructions relatives à l'utilisation du chargeur, veuillez vous reporter au manuel de l'utilisateur (voir 1.4)

3.2. Domaines d'utilisation

Les produits décrits dans ce document sont des chargeurs pour véhicules électriques. La classification suivante (selon IEC 61851-1) identifie leurs caractéristiques :

- Alimentation électrique : connectée en permanence au réseau d'alimentation en courant alternatif
- Sortie : Courant alternatif
- Conditions environnementales : utilisation à l'intérieur et à l'extérieur
- Installation fixe
- Protection contre les chocs électriques : Classe I
- Classification de l'environnement CEM : Classe B
- Type de charge : Mode 3 selon la norme IEC 61851-1
- La fonction optionnelle de ventilation n'est pas prise en charge

AVIS

Free2move eSolutions S.p.A. décline toute responsabilité pour les dommages de toute nature résultant d'une utilisation incorrecte ou négligente du produit.

3.3. Étiquette d'identification

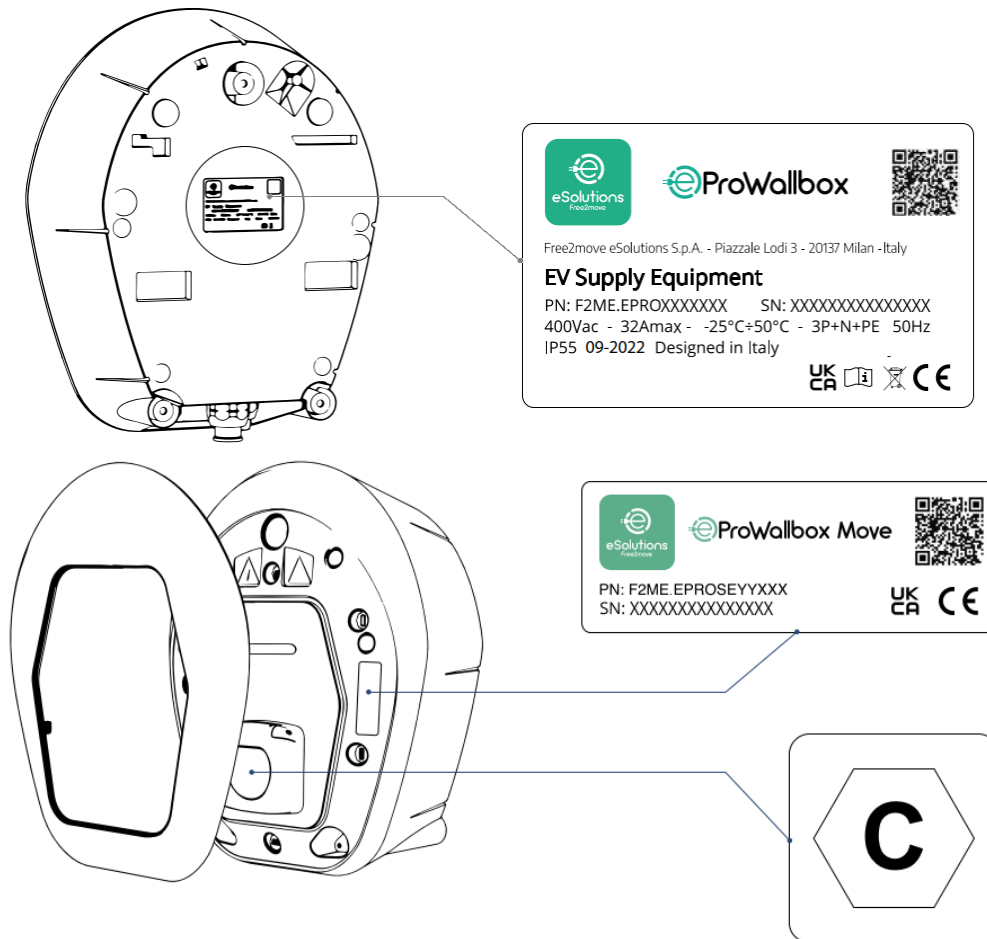
Les informations relatives au produit figurant sur l'étiquette sont indiquées dans la figure ci-dessous (modèle **eProWallbox Move** dans l'exemple).

REMARQUE : Les détails peuvent différer de ceux indiqués dans la figure, en fonction de la version du produit.


Le numéro de pièce (PN) et le numéro de série (SN) peuvent également être trouvés :

- Sur l'emballage
- Dans l'**application utilisateur** (voir 3.8), après avoir associé le chargeur au profil de l'utilisateur
- Dans le programme d'installation App **PowerUp** (voir 3.8), après l'appairage avec le code QR

Le code QR est le même sur les deux étiquettes et est utilisé pour terminer l'installation dans l'application d'installation.

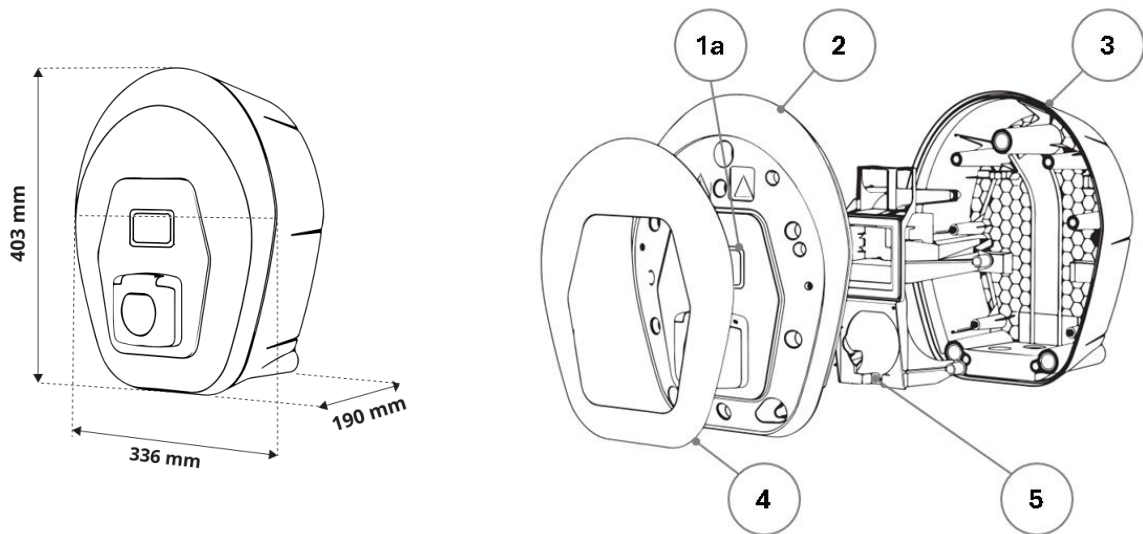


L'étiquette C indique le type de prise.

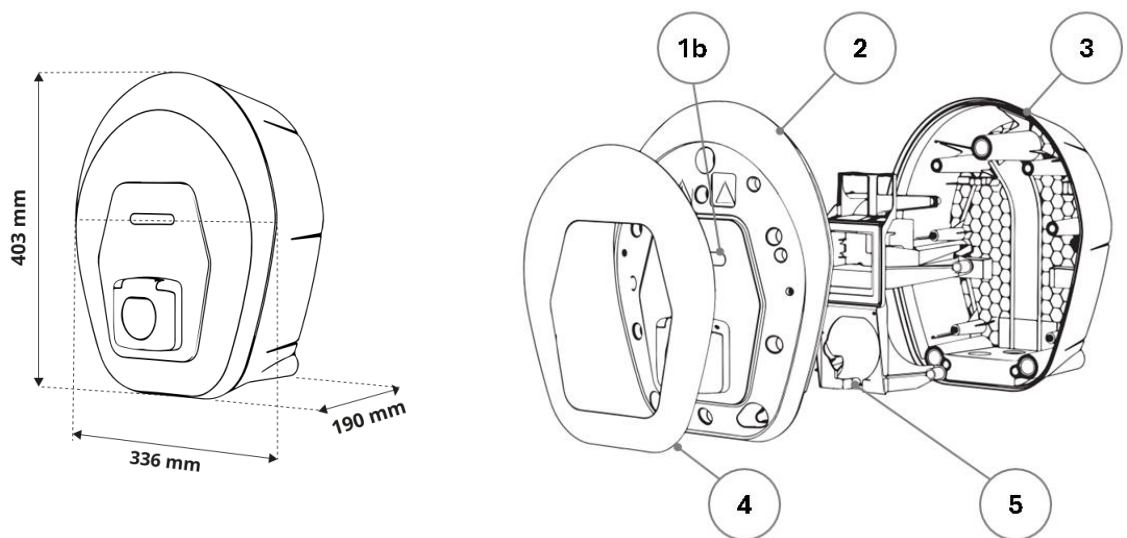
AC	EN 62196-2	TYPE 2	Fiche et prise	≤ 480 V RMS	
-----------	-------------------	---------------	-----------------------	--------------------	---

3.4. Dimensions et caractéristiques du produit

eProWallbox



eProWallbox Move



- 1a) Affichage
- 1b) Barre LED
- 2) Couverture
- 3) Base
- 4) Châssis extérieur
- 5) Base moyenne

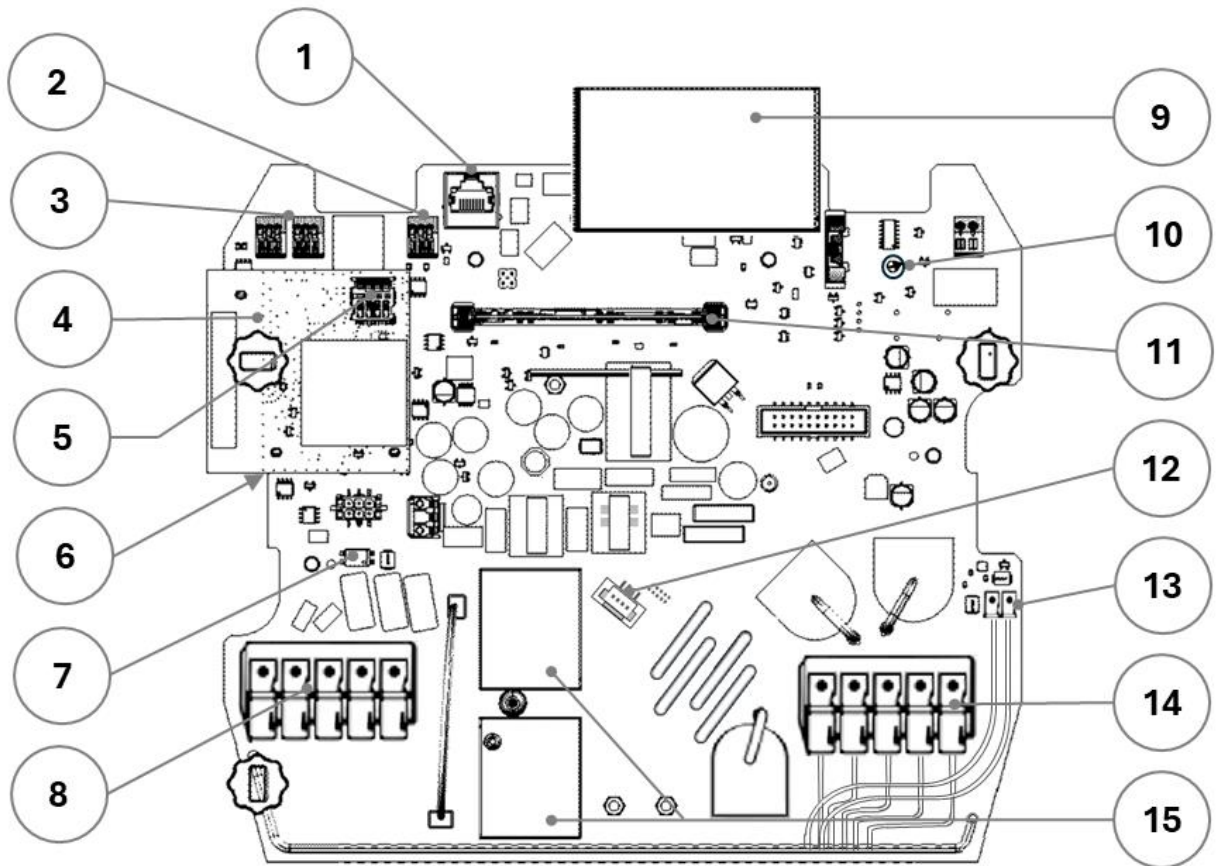
3.5. Spécifications techniques

	eProWallbox	eProWallbox Move
Mode de recharge	Mode 3 - cas B	
Connecteur standard	IEC 62196-2 Type2	
Caractéristiques de connexion	Prise avec couvercle et obturateur interne	
Marquage	CE, UKCA, TÜV	
Spécifications générales	eProWallbox	eProWallbox Move
Dimensions [mm]	403x336x190	
Poids [kg]	~ 3,8 (sans câble)	
Degré de protection	IP55 (IEC 60529)	
Indice de protection contre les chocs	IK08 (IEC 62262)	
Logement	Plastique résistant aux UV	
Couleurs standard	Noir - RAL 9005 Blanc - RAL 9003	
Couleurs personnalisées	En option	
Marquage personnalisé	En option	
Spécifications électriques	eProWallbox	eProWallbox Move
Puissance [kW]	Jusqu'à 7,4 en monophasé Jusqu'à 22 en triphasé	
Tension [V] / Fréquence [Hz]	230 / 50-60 monophasé 400 / 50-60 triphasé	
Courant [A]	Jusqu'à 32	
Installation électrique	3P+N+PE, 32A, 400 V / 50-60 Hz ; P+N+PE, 32A, 230V / 50-60 Hz	
Système d'alimentation en courant alternatif	TT, TN, IT	
Sécurité et fonctionnement	eProWallbox	eProWallbox Move
Plage de température de fonctionnement [°C]	-25/+50 (sans exposition directe à la lumière du soleil)	
Protection contre la surchauffe	Avec réduction puissance	
Résistance à l'humidité	< 95 % (sans condensation)	
Classement au feu des logements	UL94 V-0 GWFI 960	
Catégorie de surtension	OVC III	
Surveillance du courant résiduel	6 mA Dispositif RCM sensible au DC inclus pour les fuites de DC	
Hauteur maximale d'installation [m]	2000 a.s.l.	
Montage	Mur ou piédestal	
Connectivité et caractéristiques	eProWallbox	eProWallbox Move
4G LTE (*)	Pour l'OCPP	Non disponible
Lecteur RFID (*)	Pour l'autorisation du Charging Pass (RFID)	Non disponible
IHM	Écran tactile TFT de 3,5 pouces	Barre LED RVB
RS485 Modbus RTU	2 ports de communication vers EMS et Charger Network M/S	
Bluetooth LE 5.0	Pour les applications mobiles destinées aux utilisateurs et aux installateurs	
Wi-Fi	2,4 GHz	
Ethernet	100 Mbps pour OCPP et Modbus TCP/IP	
Communication avec le backend	OCPP 1.6j	
Mise à jour du micrologiciel par voie hertzienne	Par l'intermédiaire de l'OCPP	
Compteur d'énergie (intégré)	Pas de MID interne, MID externe en option	
Gestion de la charge	Dynamic Power Management avec PowerMeter (DPM) externe en option. Gestion de la charge statique pour Charger Network M/S	
Détection du déséquilibre des phases du courant	Configurable via l'application	
Connexion au backend (CPMS)	CPMS par défaut ou URL tiers configurable	
Charger Network M/S	Plusieurs Chargeurs partagent le même point de connexion électrique et équilibrent dynamiquement la charge.	
Compatibilité avec l'énergie solaire photovoltaïque (PV)	Intégration photovoltaïque grâce à la fonction de recharge solaire sur l'application	

(*) Modèle **eProWallbox** uniquement, non disponible sur le modèle **eProWallbox Move**.

3.6. Disposition de la carte mère

L'illustration suivante montre les principaux composants de la carte mère :



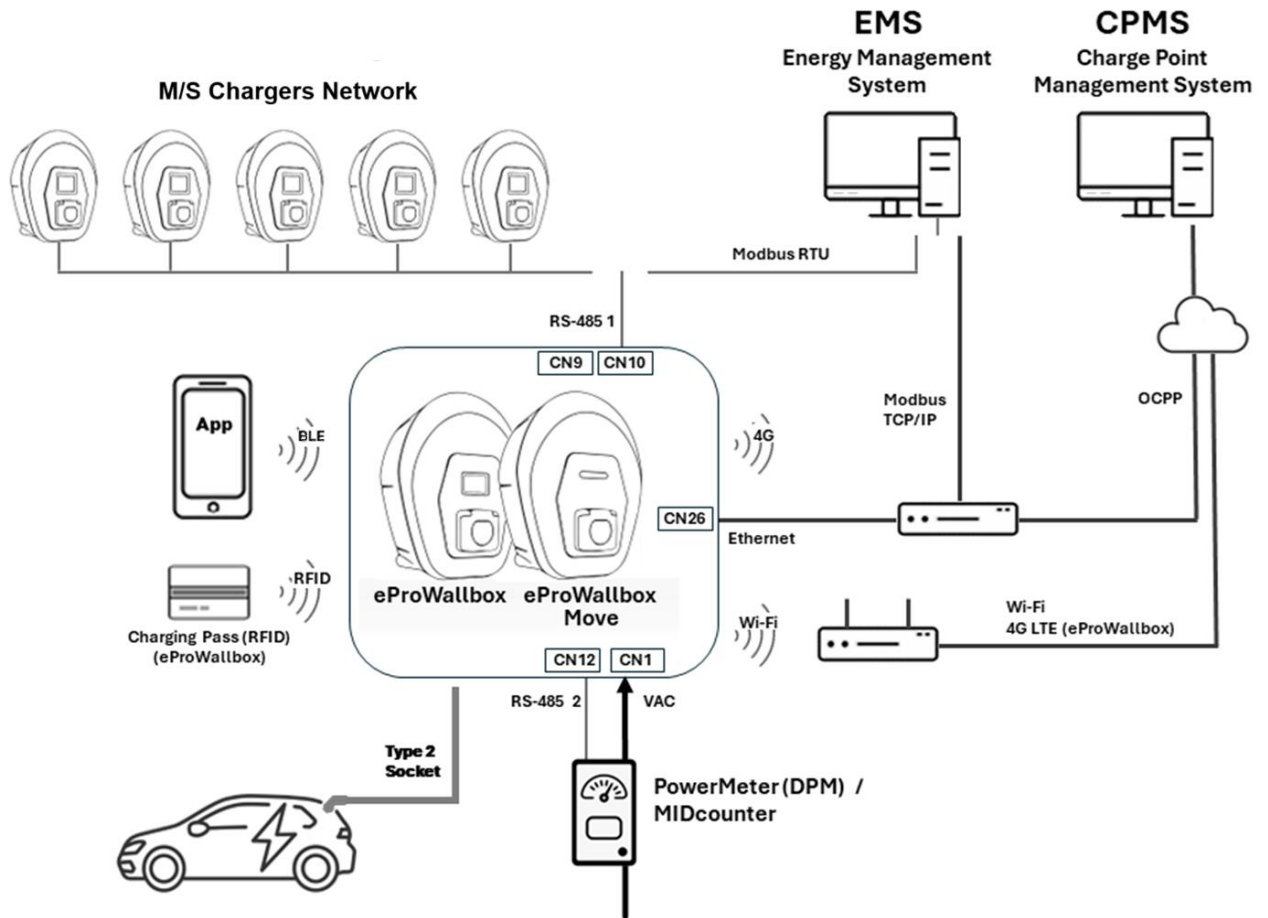
- 1) CN26 - Port Ethernet
- 2) CN12 - RS485 (uniquement pour les compteurs)
- 3) CN9-CN10 - RS485
- 4) Carte 4G LTE (*)
- 5) Carte SIM (*)
- 6) Wi-Fi et BLE (sur la carte mère, sous la carte 4G LTE)
- 7) SW2 - Interrupteur DIP (peut ne pas être présent)
- 8) CN1 - Contacts d'entrée de puissance

- 9) Lecteur RFID (*)
- 10) SW1 - Rotary Switch
- 11) Système sur module (SOM)
- 12) CN27 - Connecteur de surveillance du courant résiduel
- 13) PP/CP
- 14) Contacts de sortie de puissance
- 15) Relais

(*) Modèle **eProWallbox** uniquement. Non disponible sur le modèle **eProWallbox Move**.

3.7. Schéma de connexion

L'image suivante montre les connexions du chargeur.



3.8. Applications

La configuration technique et le fonctionnement du chargeur s'effectuent via les Apps mobiles suivantes, disponibles à la fois sur Google Play™ et sur l'Apple Store®.

3.8.1. Application d'installation

Télécharger
PowerUp



3.8.2. Application utilisateur

eSolutions
Charging App



4. INSTALLATION

4.1. Déroulement de l'installation

Pour installer le chargeur, suivez les étapes suivantes. Elles sont ensuite décrites en détail dans les sections suivantes.

- 1) Remplir les conditions d'installation, qui comprennent plusieurs étapes. Voir 4.2.
- 2) Vérifier/installer la protection électrique externe. Voir 4.3.
- 3) Fixez le chargeur au mur. Voir 4.4.
- 4) Branchez l'alimentation électrique. Voir 4.5.
- 5) Régler la puissance maximale sur le Rotary Switch SW1. Voir 4.6.
- 6) Régler le commutateur DIP SW2. Voir 4.7.
- 7) Si nécessaire, installez le PowerMeter (DPM) et le MIDcounter. Voir 4.8.
- 8) Si nécessaire, effectuer le câblage des connexions RS485. Voir la section 4.9.
- 9) Le cas échéant, procédez au câblage de la connexion Ethernet. Voir 4.10.
- 10) Effectuez un contrôle du système, fermez le système et mettez-le sous tension. Voir 4.11.
- 11) Procédez aux étapes de mise en service. Voir 5.1.

4.2. Conditions d'installations

4.2.1. Connaître les critères de sécurité



DANGER
Avant toute intervention, coupez l'alimentation électrique.



DANGER
Le non-respect des instructions contenues dans ce manuel peut entraîner de graves dommages pour le produit et pour l'installateur. Dans les cas les plus graves, les blessures peuvent être mortelles. Veuillez lire attentivement ce manuel avant d'installer, d'allumer et d'utiliser le produit.



DANGER
Vérifiez si vous remplissez les conditions décrites au point 2.2.



Normes et réglementations applicables

Avant d'installer le chargeur, vous devez vous conformer aux restrictions locales spécifiées dans la norme IEC 61851-1. Il est également de votre responsabilité de vérifier que ces réglementations sont toujours en vigueur et de vérifier s'il existe d'autres réglementations locales susceptibles de restreindre l'utilisation de ce produit dans le pays d'installation.



DANGER
L'installation doit répondre aux exigences de la norme IEC 60364-7-722.

EPI requis pour les tâches d'installation

	Porter des gants de protection
	Porter des chaussures antistatiques

4.2.2. Vérifier la compatibilité du site d'installation

Avant de procéder à l'installation, assurez-vous que

- Assurez-vous que les conditions environnementales (telles que la température, l'altitude et l'humidité) sont conformes aux spécifications du produit (voir 3.5).
- La zone d'installation doit être suffisamment ventilée pour assurer une bonne dispersion de la chaleur.
- L'espace doit être suffisant pour que le câble de recharge puisse être déplacé correctement. Il doit également permettre à l'utilisateur d'effectuer des opérations d'entretien de routine ou non en toute sécurité.
- La zone de travail est considérée comme une zone dangereuse et doit être correctement délimitée pour empêcher l'accès aux personnes non impliquées dans l'installation.
- N'installez pas le chargeur sous la pluie, dans le brouillard ou dans un environnement très humide.

REMARQUE : il faut tenir compte de l'espace nécessaire pour garer le véhicule électrique à charger.

Le chargeur ne doit pas être installé dans des endroits :

- Caractérisé par des atmosphères potentiellement explosives (selon la directive 2014/24/EU).
- Utilisé pour les voies d'évacuation
- les endroits où des objets peuvent tomber dessus (par exemple, des échelles suspendues ou des pneus de voiture) ou les endroits où ils sont susceptibles d'être heurtés et endommagés (par exemple, près d'une porte ou dans les zones d'entretien des véhicules).
- Là où il y a un risque de jets d'eau sous pression (par exemple, lave-autos, nettoyeurs haute pression ou tuyaux d'arrosage).



ATTENTION

Assurez-vous qu'il n'y a pas de sources de chaleur, de substances inflammables ou de sources électromagnétiques dans la zone d'installation.

AVIS

Si la connectivité du chargeur est nécessaire, assurez-vous que la zone choisie est couverte par un réseau Wi-Fi.



ATTENTION

Le chargeur est conçu pour résister à l'ensoleillement direct et aux intempéries. Toutefois, pour prolonger sa durée de vie et limiter la réduction de puissance thermique, il est recommandé de le protéger des rayons directs du soleil et de la pluie par un auvent.

Les indications suivantes doivent être suivies lors du choix de la position d'installation du chargeur :

- Éviter les murs qui ne sont pas stables et sûrs
- Éviter les murs en matériaux inflammables ou couverts de matériaux inflammables (bois, moquette, etc.).
- Éviter l'exposition directe à la pluie pour s'assurer que les intempéries ne causent pas de détérioration.
- Veillez à ce que le chargeur soit suffisamment ventilé - ne l'installez pas à l'intérieur d'une niche ou d'une armoire.
- Évitez l'accumulation de chaleur - tenez le chargeur à l'écart des sources de chaleur
- Éviter l'exposition aux infiltrations d'eau
- Éviter les sauts de température excessifs

4.2.3. Vérifier l'alimentation électrique



AVERTISSEMENT

La conception de l'ensemble du système électrique auquel le chargeur doit être connecté doit d'abord être déterminée par un professionnel qualifié.

Les caractéristiques électriques du chargeur, qui doivent être consultées pour dimensionner correctement le système d'alimentation, sont indiquées sur l'étiquette d'identification (voir 3.3).



AVERTISSEMENT

Ne pas installer le chargeur avec des mains mouillées.



AVERTISSEMENT

Un jet d'eau ne doit en aucun cas être dirigé vers le chargeur de batterie.

4.2.4. Vérifier les exigences du réseau de chargeurs M/S

Le réseau de chargeurs M/S (Main/Satellite) (voir également 5.11.2) permet à un chargeur principal de coordonner jusqu'à cinq chargeurs satellites via une liaison de communication RS485. La coordination assure un fonctionnement équilibré en répartissant dynamiquement la Puissance disponible de manière égale entre les chargeurs connectés, sur la base de la capacité de puissance maximale au point de connexion commun.

Lors du dimensionnement du groupe de chargeurs en réseau, **veillez à disposer de la puissance minimale disponible au point de connexion**, comme indiqué ci-dessous :

- Pour une installation monophasée, la Puissance minimale requise est de 2 kW par chargeur en réseau.
- Pour une installation triphasée, la Puissance minimale requise est de 6 kW par chargeur en réseau.

Exemple : Pour un groupe de 2 chargeurs monophasés, un minimum de 4 kW est requis.

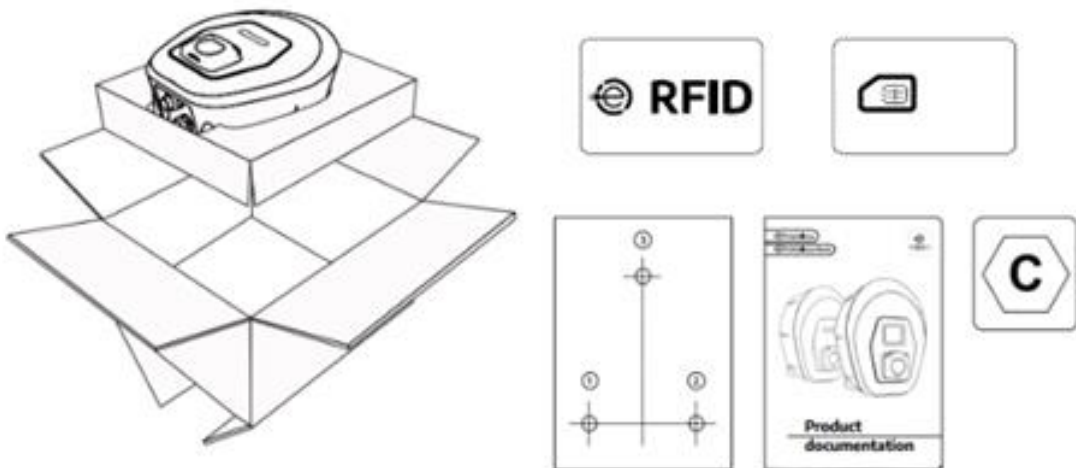
4.2.5. Vérifier l'emballage du produit

Vérifiez que l'emballage est intact et ne présente pas de dommages apparents. Si le chargeur et/ou son emballage sont endommagés, arrêtez le processus d'installation et appelez l'assistance (voir section 9).

Le paquet comprend les éléments suivants :

- 1 Charging Pass (RFID) (modèle **eProWallbox** uniquement, P/N F2ME.EPROSCYXXX).
- 1 Carte SIM installée (modèle **eProWallbox** uniquement, P/N F2ME.EPROSCYXXX).
- 1 gabarit de perçage pour l'installation
- Documentation sur les produits

NOTE : L'emballage du modèle **eProWallbox Move** (P/N F2ME.EPROSEYXXX) ne comprend pas le Charging Pass (RFID) et la carte SIM.

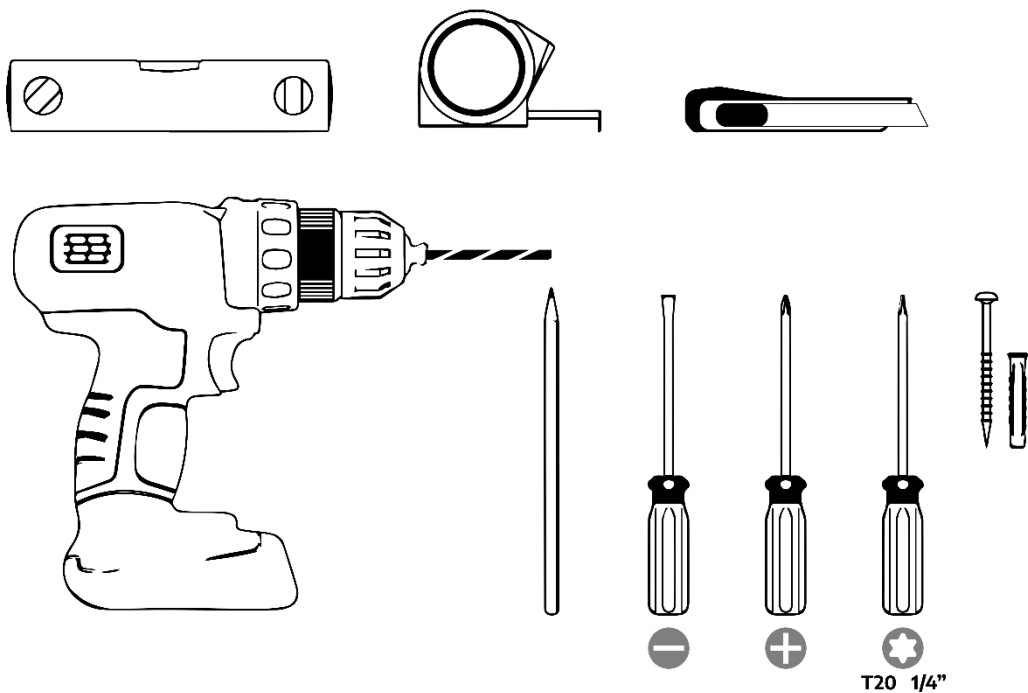


4.2.6. Se procurer les outils nécessaires

La liste comprend

- Tournevis Torx T20 1/4
- Tournevis cruciforme (longueur minimale = 160 mm)
- Tournevis à fente (tête < 2mm)
- 3x chevilles $\varnothing 10 \times 50 \text{mm}$ avec vis
- Perceuse avec mèche $\varnothing 10 \text{ mm } 3/8$
- Cutter
- Marteau
- Crayon
- Niveau à bulle
- Ruban de mesure
- Bande adhésive

NOTE : Le chargeur est fourni avec 2 raccords boîtier-gaine que vous pouvez remplacer par des presse-étoupes $\varnothing 25 \text{mm}$ (non fournis).



AVERTISSEMENT

Ne pas utiliser de tournevis électrique pour assembler le chargeur ou le fixer au mur. Free2move eSolutions S.p.A. décline toute responsabilité en cas de dommages aux personnes ou aux choses résultant de l'utilisation de tels outils.

4.3. Protection électrique externe

Le chargeur est équipé d'un dispositif de détection de courant continu de 6 mA DC. Conformément à la norme CEI 61851-1, le chargeur doit être protégé en amont par des dispositifs de protection électrique externes comme indiqué dans les directives suivantes. Le chargeur n'est pas équipé d'un système de détection de défaut PEN.

Disjoncteur miniature (MCB) : 1P/P3+N, courbe C recommandée, capacité nominale de court-circuit d'au moins 6kA. Courant nominal en fonction de l'alimentation électrique et du réglage du chargeur avec un maximum de 40A ; par exemple, I_{max} 32 A utilisera un MCB C40. En cas de court-circuit, la valeur de I_{2t} au niveau du connecteur du véhicule de la station de charge ne doit pas dépasser 75 000 A²s.

Les dispositifs de protection contre les surintensités doivent être conformes aux normes IEC 60947-2, IEC 60947-6- 2, IEC 61009-1 ou aux parties pertinentes des séries IEC 60898 ou IEC 60269.

Disjoncteur différentiel (RCD) : 1P/P3+N, conformément aux réglementations locales, au moins de type A. Type à réarmement manuel uniquement. Le disjoncteur différentiel doit avoir un courant de fonctionnement résiduel nominal ne dépassant pas 30 mA et doit être conforme à l'une des normes suivantes : CEI 61008-1, CEI 61009-1, CEI 60947-2 et CEI 62423. Le DDR doit déconnecter tous les conducteurs sous tension.

Dispositif de protection contre les surtensions (SPD) : Pour éviter tout dommage potentiel au véhicule électrique causé par une surtension, nous recommandons vivement de protéger le circuit d'alimentation du point de connexion avec un SPD.

Dispositif de contrôle de l'isolation (IMD) : si le système est installé dans des systèmes de type IT, un dispositif de contrôle de l'isolation (IMD) conforme à la norme CEI EN 61557-8 doit être installé.



AVERTISSEMENT.

Pour les systèmes de type TN, il peut exister des réglementations locales spécifiques supplémentaires concernant la sécurité du système et la protection contre les pannes que vous, en tant qu'installateur, devez comprendre et mettre en œuvre.

4.4. Fixation du chargeur au mur



ATTENTION

Les règles de construction nationales et internationales énoncées dans les normes IEC 60364-1 et IEC 60364-5-52 doivent être respectées lors de la fixation du chargeur au mur. Le positionnement correct de la station de charge est important pour garantir son bon fonctionnement.

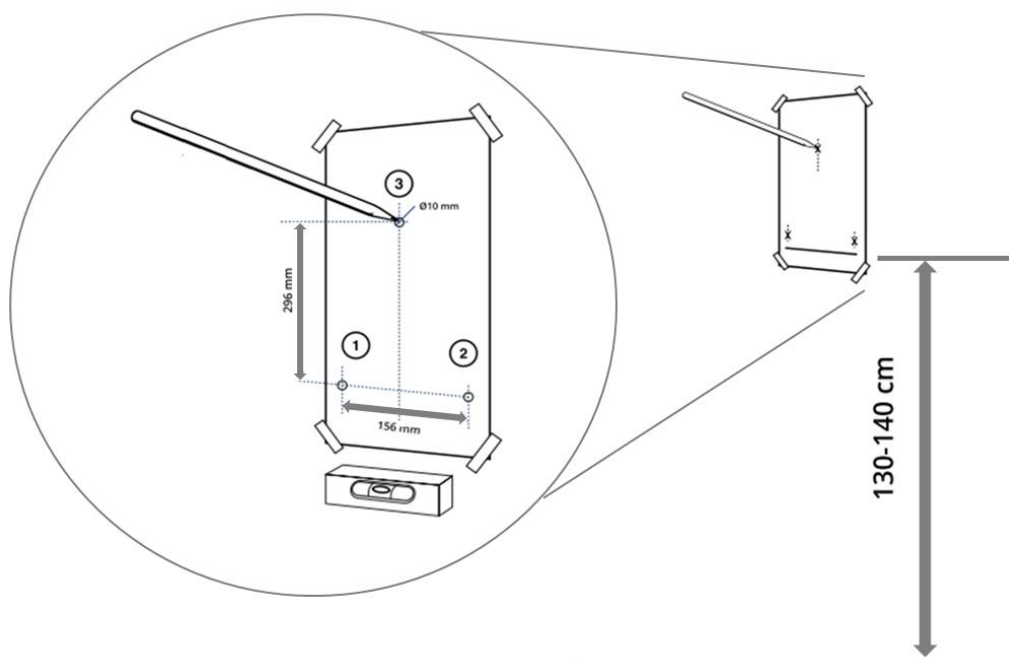
Pour fixer le corps principal au mur, **3 chevilles (Ø 10x50 mm) sont** nécessaires. Pour l'installation sur des chevilles constituées de matériaux différents (par exemple, des plaques de plâtre), des chevilles spécifiques sont nécessaires et ne doivent être installées qu'après avoir vérifié la charge maximale admissible.

Avant l'installation, vous devez déterminer la position et les distances par rapport aux murs :

- Il est recommandé de maintenir une **distance de 50 à 60 cm par rapport aux autres murs** pour faciliter l'installation et l'entretien.
- Nous recommandons également d'installer le chargeur à une **hauteur de 130-140 cm du sol**.
- Pour faciliter l'installation et le montage mural, **utilisez le gabarit fourni** pour percer les 3 trous de fixation. Le gabarit doit également être utilisé pour la mise à niveau à l'aide d'un niveau à bulle.

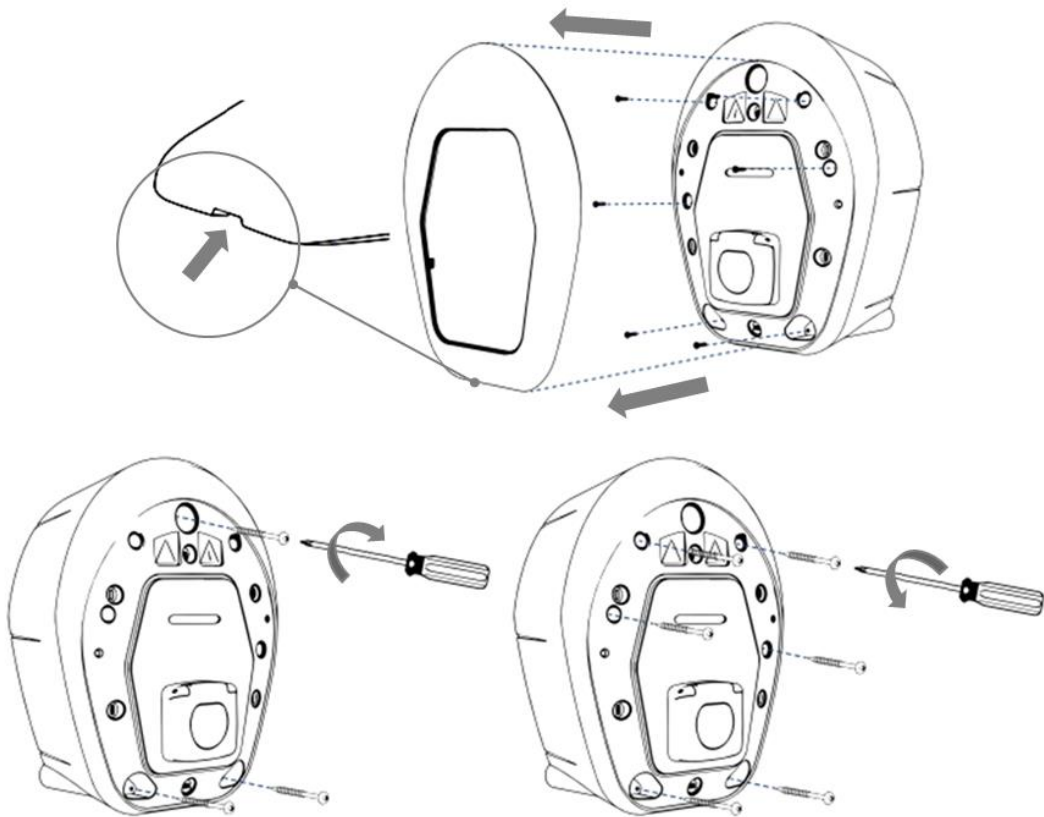
Procédure de montage

- 1) À l'aide d'une perceuse, faire 3 trous de Ø10 mm à l'endroit où les points de fixation sont marqués. La profondeur minimale des trous doit être de 60 mm. Enlevez ensuite tout résidu de forage des trous.
- 2) Enfoncer les chevilles de fixation dans les trous à l'aide d'un marteau.



- 3) Retirez le châssis extérieur du chargeur à l'aide de la rainure située sur le dessous.

- 4) Fixez le chargeur en insérant les 3 vis dans les chevilles à l'aide du tournevis cruciforme.
- 5) Pour procéder à l'installation électrique, tirez la Couverture en retirant les 6 vis à l'aide du tournevis Torx T20 ¼".

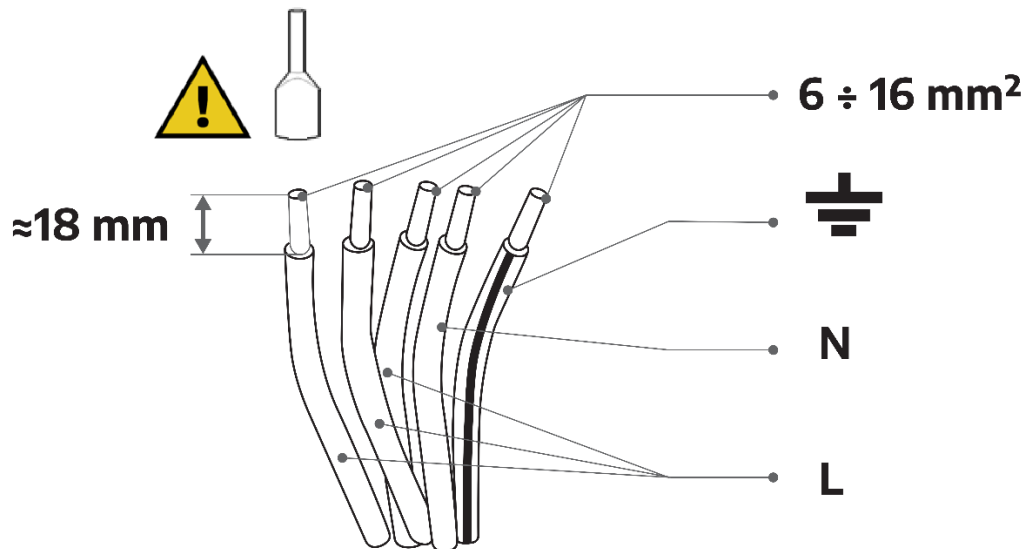


4.5. Connexion de l'alimentation électrique au chargeur

Le chargeur doit être alimenté par des câbles de taille appropriée. Avant de procéder au câblage, assurez-vous que les câbles sont correctement dimensionnés et que le rayon de courbure maximal autorisé n'est pas dépassé.

Les caractéristiques électriques du chargeur, qu'il convient de consulter pour dimensionner correctement le système d'alimentation électrique, sont indiquées sur l'étiquette d'identification de l'appareil. (voir 3.3).

Suivez ces recommandations :



- **Risque de dommages graves** : ajoutez toujours des embouts de 18 mm sur les câbles d'alimentation.
- Taille minimale suggérée du conducteur : 6 mm² ;
le connecteur d'entrée peut également accepter des câbles de 4 mm²
- Taille maximale du conducteur : 16 mm²
- Longueur minimale de dénudage des câbles d'alimentation électrique : 18 mm



DANGER

Utilisez toujours des embouts de câblage pour assurer une connexion optimale. Vérifiez soigneusement la connexion avant de mettre le chargeur en marche.

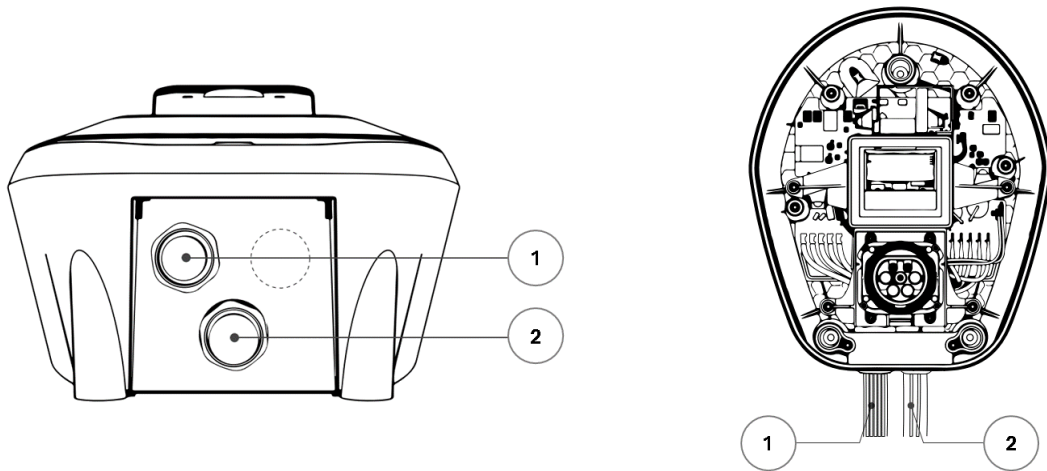
Le non-respect de cette consigne peut entraîner de graves risques de dommages au produit, aux biens, ou la mort de personnes ou d'animaux.



DANGER

Le chargeur doit rester hors tension pendant cette étape.

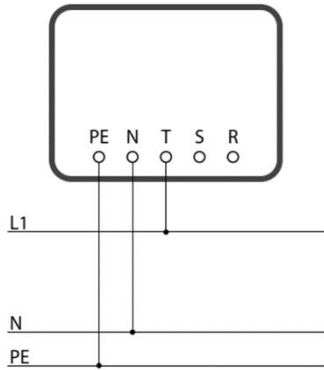
REMARQUE : La partie inférieure du corps du chargeur comporte deux points d'entrée de câbles qui sont fermés par des capuchons de protection afin d'empêcher la poussière ou l'humidité de pénétrer pendant le transport.



- 1) Câbles d'alimentation électrique
- 2) Câbles de communication

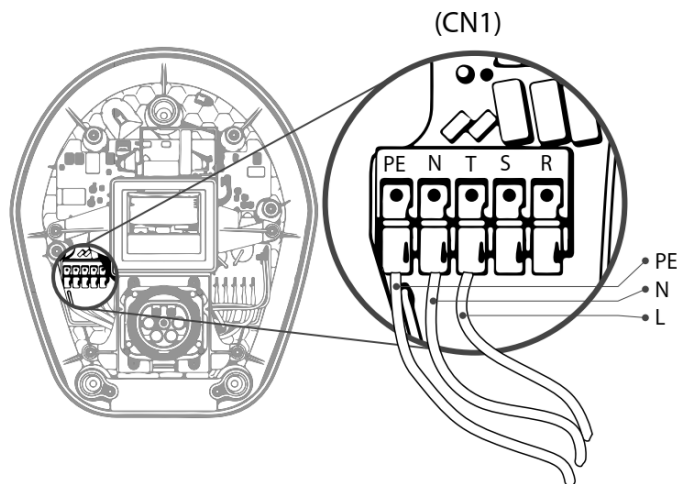
4.5.1. Installation monophasée

Les schémas ci-dessous montrent le raccordement électrique du chargeur dans les systèmes monophasés.



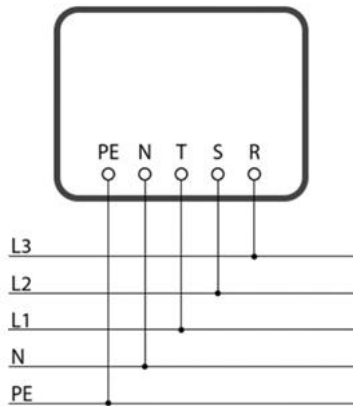
Procédure d'installation

- 1) Retirer le capuchon de protection de l'entrée des câbles d'alimentation électrique et insérer la gaine ondulée de Ø 25 mm.
- 2) Serrer la jonction boîtier-gaine du câble.
- 3) Insérer le câble d'alimentation électrique et le connecter au bornier d'alimentation CN1 :
 - Câble de mise à la terre vers PE
 - Câble neutre vers N
 - Câble de phase vers T



4.5.2. Installation triphasée

Les schémas ci-dessous montrent le raccordement électrique du chargeur dans les systèmes triphasés.



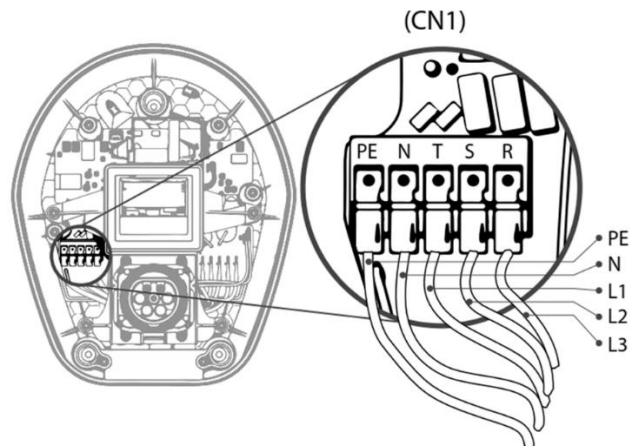
ATTENTION

Pour les installations dans des systèmes triphasés, veillez à ce que les charges électriques du système (y compris le chargeur) soient bien équilibrées entre les phases.

En cas d'installations multiples, il est recommandé de répartir la charge entre toutes les phases disponibles.

Procédure d'installation

- 1) Retirer le capuchon de protection de l'entrée des câbles d'alimentation et insérer la gaine ondulée de \varnothing 25 mm.
- 2) Serrer la jonction boîtier-gaine du câble.
- 3) Insérer le câble d'alimentation électrique et le connecter au bornier d'alimentation CN1 :
 - Câble de mise à la terre vers PE
 - Câble neutre vers N
 - Câbles de phase vers T, S, R



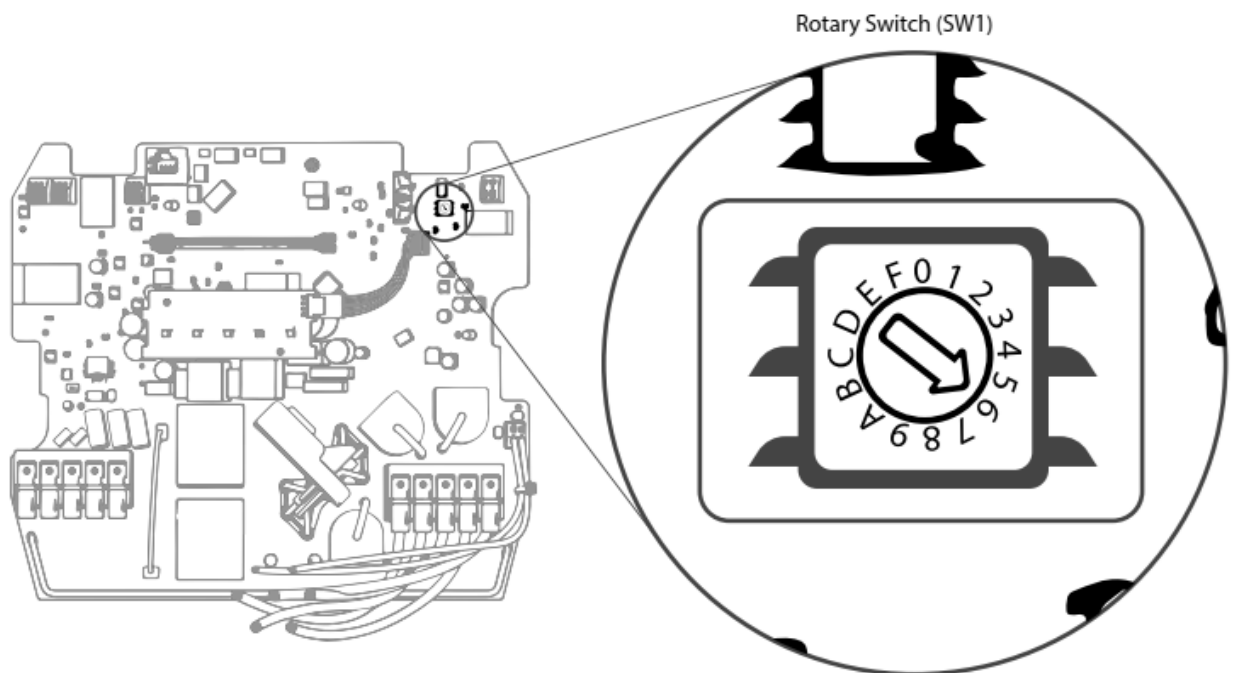
4.6. Réglage de la puissance maximale sur le commutateur rotatif SW1

Sur le commutateur rotatif SW1 (voir 3.6), configurer la puissance maximale en fonction du dimensionnement de l'installation électrique et du type d'alimentation (monophasée ou triphasée). Se référer au tableau ci-dessous.

AVIS

Le chargeur doit rester hors tension pendant cette étape.

Si la position du Rotary Switch est modifiée alors que l'appareil est sous tension, il faut éteindre et rallumer l'appareil pour que la modification prenne effet.

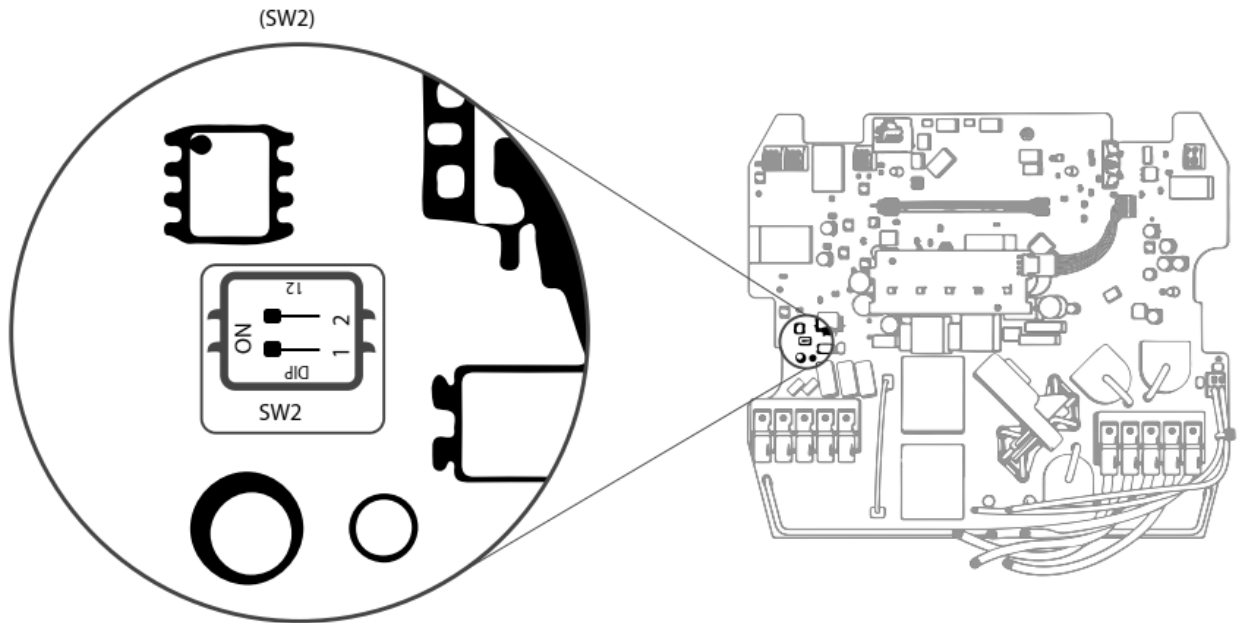


Réglage du Rotary Switch	0	1	2	3	4	5	6	7	8	9	A	B	C	D	E	F
Monophasé [kW]	3.7	4.6	5.1	5.8	6.0	7.4	-	-	-	-	-	-	-	-	-	-
Triphasé [kW]	-	-	-	-	-	-	4.3	6.9	9.0	11.0	13.1	15.2	17.3	19.3	20.7	22.0

4.7. Réglage des commutateurs DIP h SW2

Le commutateur DIP SW2 est présent sur certaines versions du produit.

Si c'est le cas, vous devez retirer le film plastique de l'interrupteur DIP SW2 et placer les deux contacts en position ON.



4.8. Installation du PowerMeter (DPM) et du MIDcounter

Cette section décrit la procédure d'installation :

- **PowerMeter (DPM)** : Un compteur d'énergie qui permet la Dynamic Power Management (DPM), une fonction intelligente qui permet de charger un VE en utilisant uniquement l'électricité actuellement disponible à la maison, en modulant la puissance de charge et en évitant les pannes d'électricité désagréables.
- **MIDcounter** : Compteur d'énergie certifié qui surveille la quantité d'énergie consommée par le chargeur au cours de chaque session de charge.

Les appareils compatibles sont les suivants.

Appareils de mesure directe pouvant être utilisés comme PowerMeter (DPM) ou MIDcounter :

- Gavazzi, monophasé, direct, 32 A (EM111DINAV81XS1PFB)
- Finder, monophasé, direct, 40 A (7M2482300210)
- Gavazzi, 1 phase, Direct 100 A (EM112DINAV01XS1PFB)
- Gavazzi, Triphasé, Direct, 65 A (EM340DINAV23XS1PFB)
- Finder, triphasé, direct, 80 A (7M3884000212)

Appareils de mesure indirecte qui ne peuvent être utilisés que comme PowerMeter (DPM) :

- Gavazzi, monophasé, indirect (EM111DINAV51XS1X) avec 1x TC 100 A (CTA5X100A5A)
- Gavazzi, monophasé, indirect (EM111DINMV51XS1X) avec 1x CTV 60 A (CTV1X60A333MV)
- Gavazzi, triphasé, indirect (EM330DINAV53HS1X) avec 3x CT 150 A (CTA5X150A5A30)



AVERTISSEMENT

N'essayez pas d'installer des appareils électriques si vous n'êtes pas qualifié en tant qu'électricien professionnel (voir 2.2). Cela pourrait entraîner de graves dangers et des dommages pour vous et pour les personnes, les biens ou les animaux qui se trouvent à proximité.

AVIS

Pour obtenir des informations supplémentaires sur l'installation, reportez-vous au manuel d'installation du fabricant fourni avec le compteur.

4.8.1. Installation de PowerMeter (DPM)

Si la Puissance est utilisée et que d'autres appareils domestiques sont utilisés pendant la session de charge, le système peut moduler la puissance de charge vers la voiture et suspendre temporairement la session de charge. Dès que les autres appareils ménagers sont éteints, la session reprend.

La logique intelligente DPM fonctionne aussi bien dans les installations triphasées que monophasées.



AVERTISSEMENT

Lors de l'installation dans des systèmes triphasés, assurez-vous que les charges électriques (y compris le chargeur) sont bien équilibrées entre les phases du système électrique.



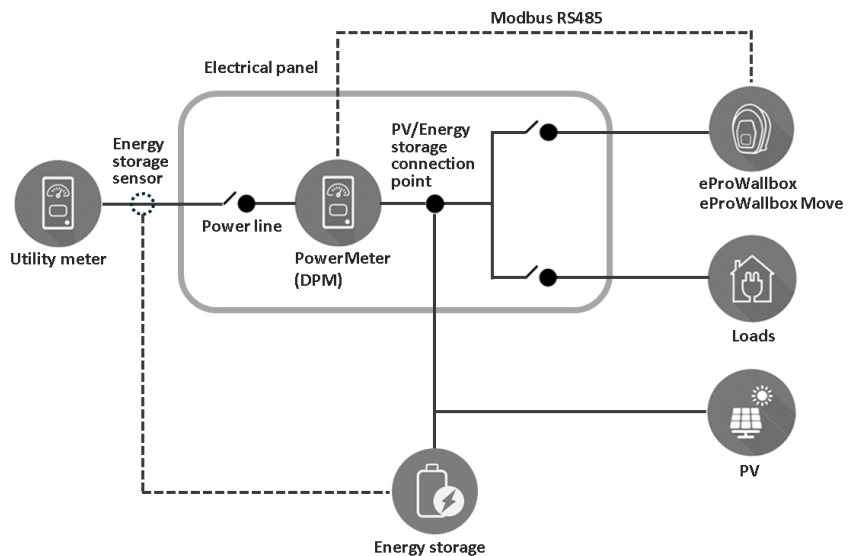
ATTENTION

Le chargeur doit rester hors tension pendant cette étape.

Installation du PowerMeter à mesure directe (DPM)

Placez le PowerMeter (DPM) après le compteur général.

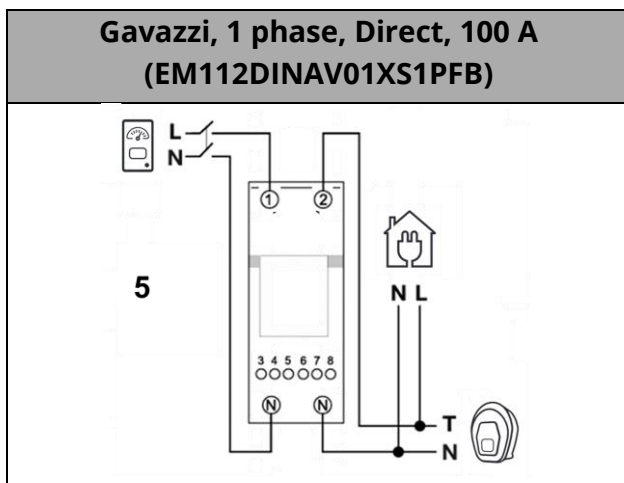
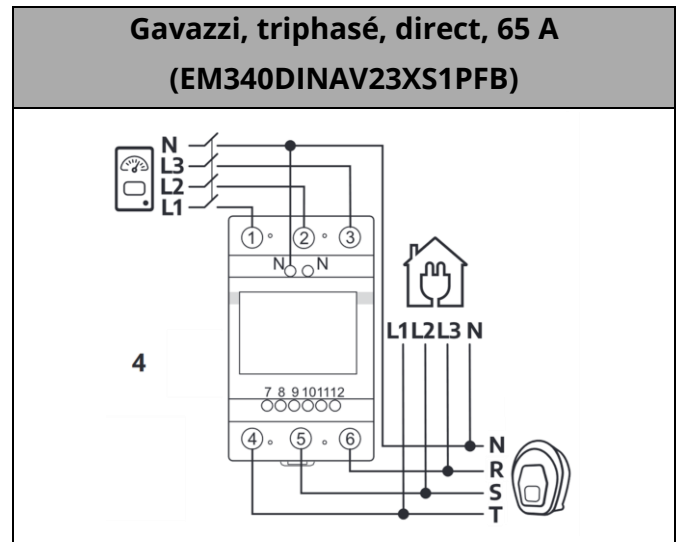
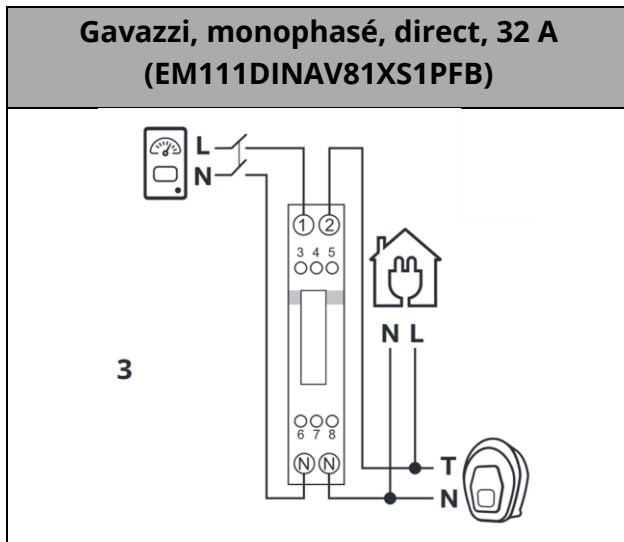
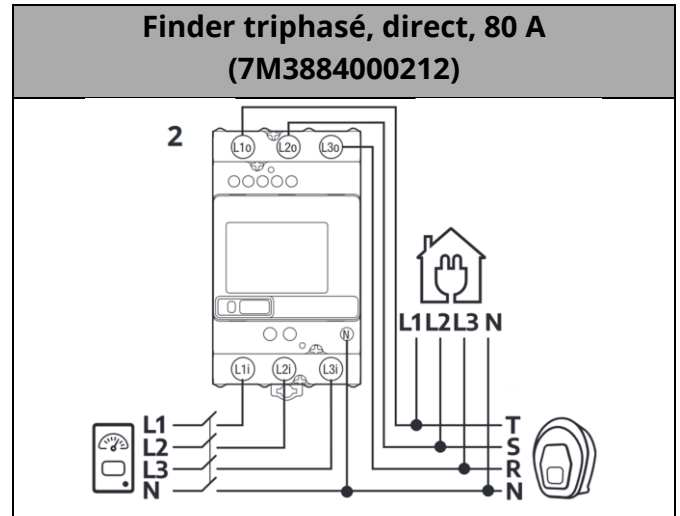
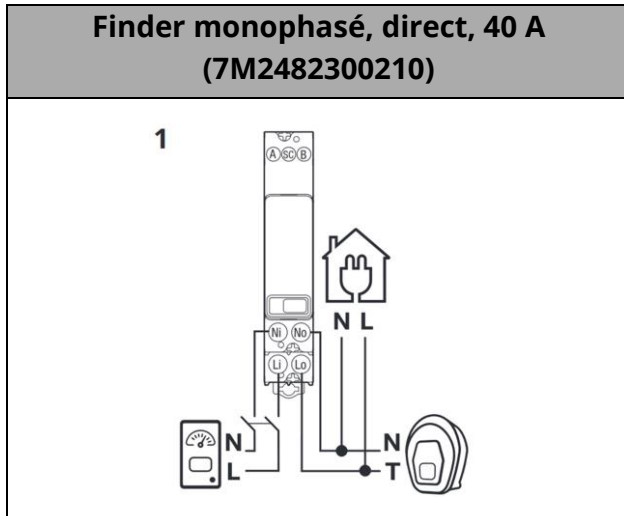
Le PowerMeter (DPM) doit mesurer toutes les charges électriques, y compris le chargeur.



AVIS

- 1) En présence d'un système photovoltaïque, le PowerMeter doit être placé entre le Compteur général et le point de connexion du système photovoltaïque.
- 2) En cas de stockage d'énergie à domicile, le PowerMeter doit être placé entre le point de connexion du stockage d'énergie et le capteur de mesure du stockage d'énergie.

Voir les schémas ci-dessous pour le raccordement électrique monophasé et triphasé du PowerMeter direct (Finder et Gavazzi).

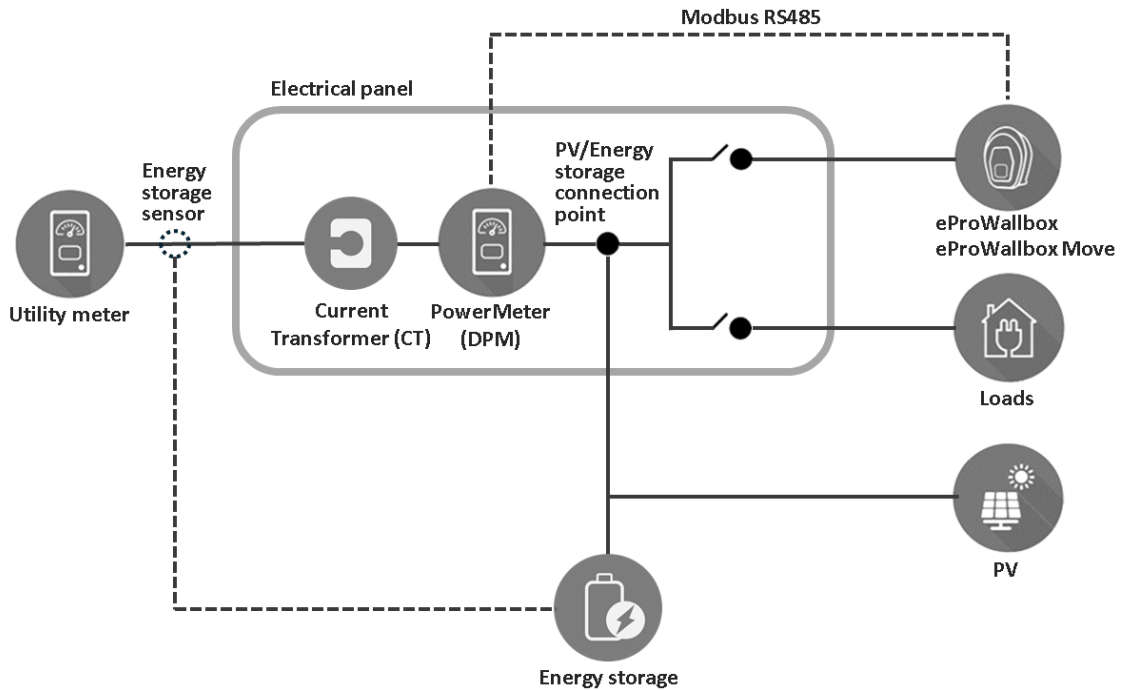


➔ La connexion de communication RS485 est décrite dans la section 4.9.

Installation du PowerMeter à mesure indirecte (DPM)

Placez le CT (transformateur de courant) du Compteur de puissance après le compteur général et avant les charges électriques, y compris le chargeur.

Lors de l'installation des transformateurs de courant (TC), orientez la flèche du TC dans la direction des charges.



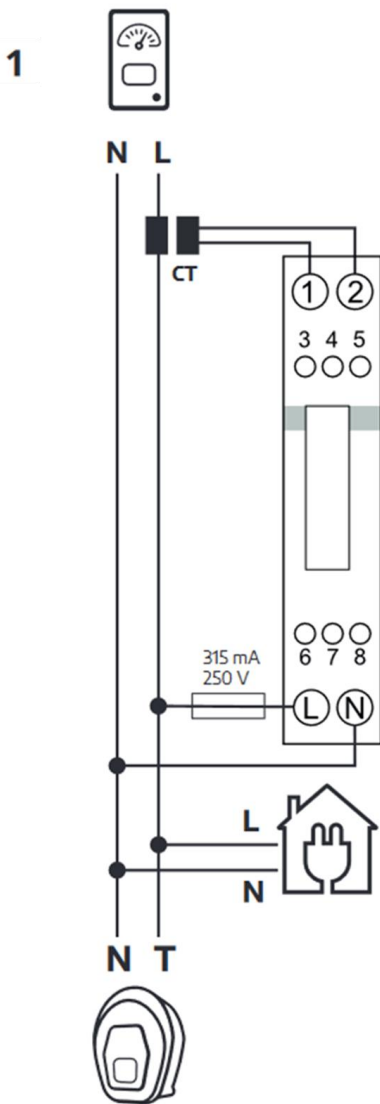
AVIS

- 1) En présence d'un système photovoltaïque, les transformateurs de courant (TC) du PowerMeter doivent être placés entre le point de connexion du système photovoltaïque et le compteur général.
- 2) S'il y a un stockage d'énergie à domicile, les transformateurs de courant (TC) du PowerMeter doivent être placés entre le point de connexion du stockage d'énergie et le capteur de mesure du stockage d'énergie.

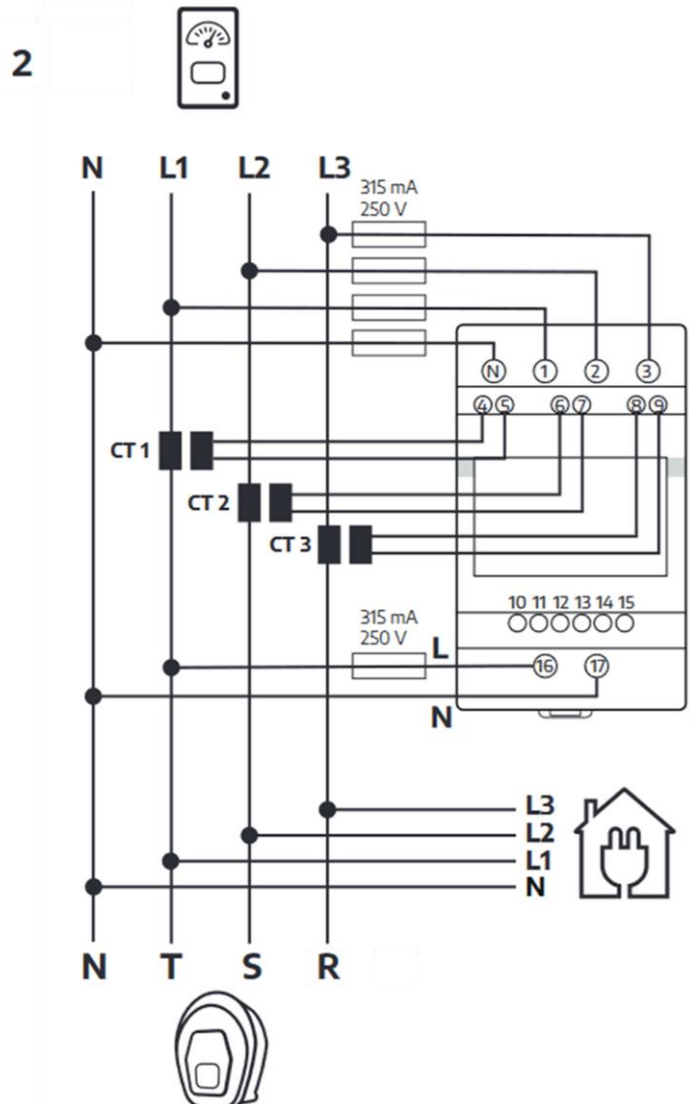
Voir les schémas ci-dessous pour le raccordement électrique monophasé et triphasé des compteurs d'énergie Gavazzi.

Gavazzi, monophasé, indirect (EM111DINAV51XS1X) avec 1x TC 100 A (CTA5X100A5A)

Gavazzi, monophasé, indirect (EM111DINMV51XS1X) avec 1x CTV 60 A (CTV1X60A333MV)



Gavazzi, triphasé, indirect (EM330DINAV53HS1X) avec 3x CT 150 A (CTA5X150A5A30)



→ La connexion de communication RS485 est décrite dans la section 4.9.

4.8.2. Installation de MIDcounter

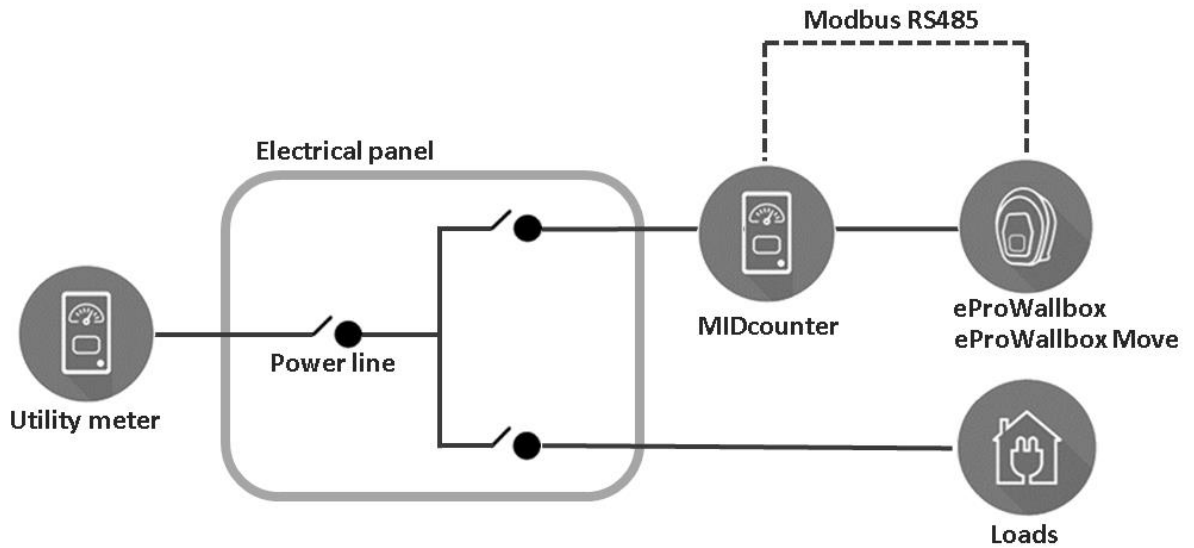
Le MIDcounter est un compteur d'énergie certifié qui permet de contrôler de manière sûre et fiable la consommation du chargeur pendant chaque session de charge.

Toutes les données pertinentes des sessions de charge sont automatiquement enregistrées par un compteur MID certifié et transférées du chargeur au système de gestion des points de charge (CPMS).



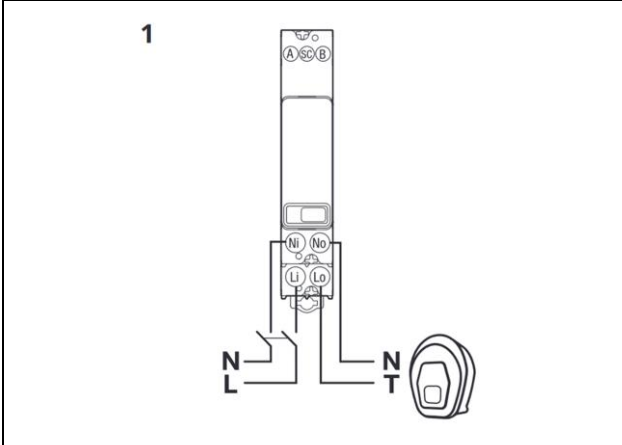
ATTENTION
Le chargeur doit rester hors tension pendant cette étape.

Placez le MIDcounter sur la même ligne électrique que le chargeur, après les dispositifs de protection électrique.

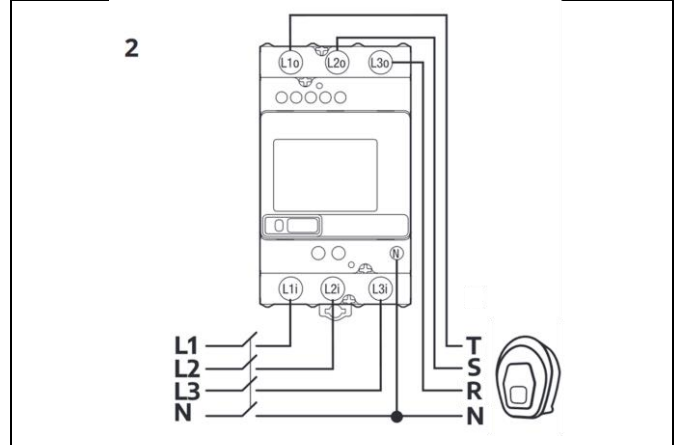


Voir les schémas ci-dessous pour le raccordement électrique monophasé et triphasé du MIDcounter (Finder et Gavazzi).

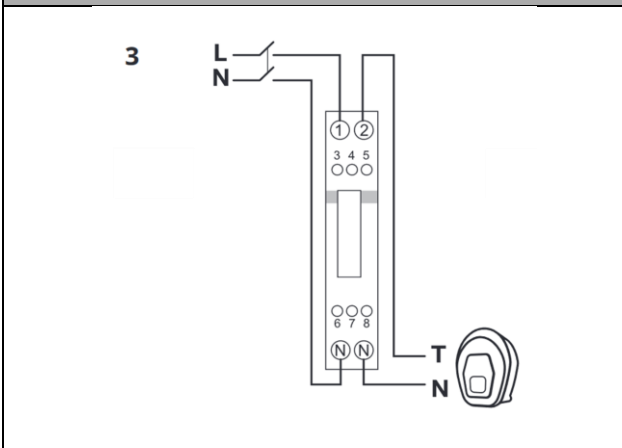
**Finder monophasé, direct, 40 A
(7M2482300210)**



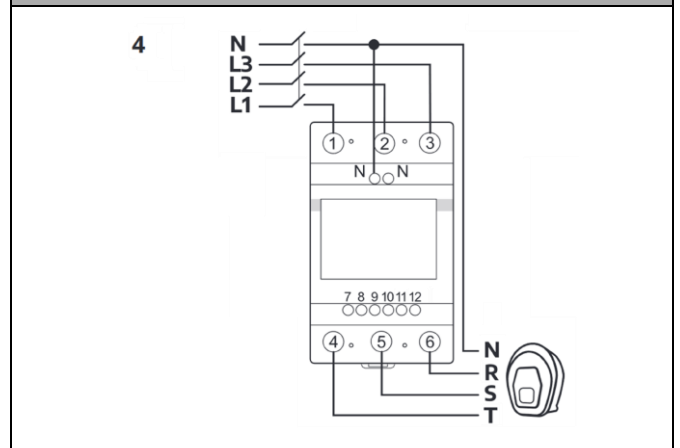
**Finder triphasé, direct, 80 A
(7M3884000212)**



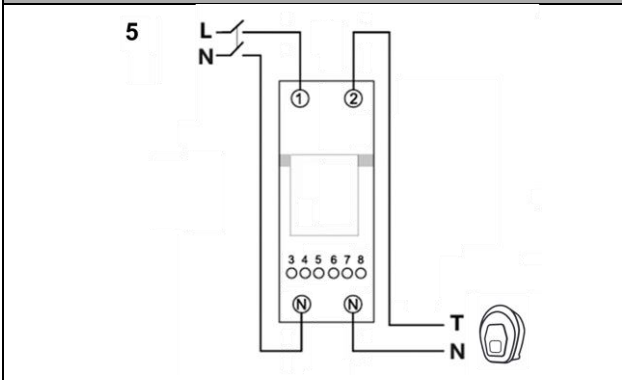
**Gavazzi, monophasé, direct, 32 A
(EM111DINAV81XS1PFB)**



**Gavazzi, triphasé, direct, 65 A
(EM340DINAV23XS1PFB)**



**Gavazzi, 1 phase, Direct, 100 A
(EM112DINAV01XS1PFB)**

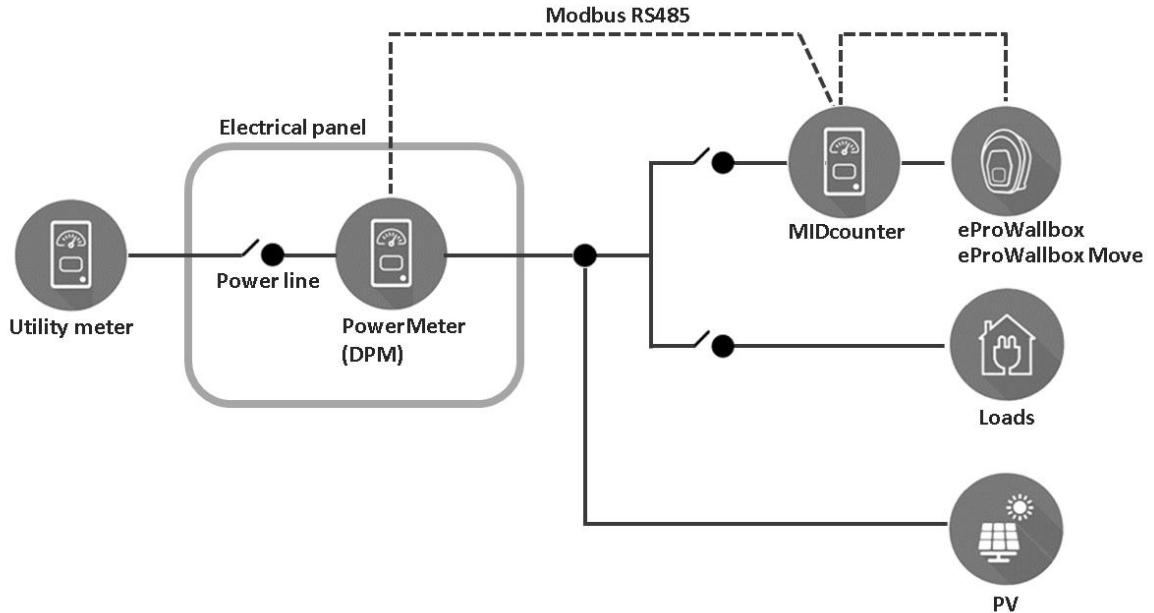


➔ La connexion de communication RS485 est décrite dans la section 4.9.

4.8.3. Installation combinée du PowerMeter (DPM) et du MIDcounter

Placez le PowerMeter (DPM) après le compteur général.

Placez le MIDcounter sur la même ligne électrique que le chargeur, après les dispositifs de protection électrique.



AVIS 1

1) En présence d'un système photovoltaïque, le PowerMeter doit être placé entre le Compteur général et le point de connexion du système photovoltaïque.

2) En cas de stockage d'énergie domestique, le PowerMeter doit être placé entre le point de connexion du stockage d'énergie et le capteur de mesure du stockage d'énergie.

- ➔ Pour les connexions électriques du PowerMeter (DPM) et du MIDcounter, voir 4.8.1 et 4.8.2.
- ➔ La connexion de communication RS485 est décrite dans la section 4.9.

4.9. Connexions de communication Modbus RS485

Comme le montre le 3.6le chargeur est équipé de 2 ports RS485 (CN9 /CN10) pour la communication avec :

- Chargeurs supplémentaires dans le Charger Network M/S.
-OU -
- Un système de gestion de l'énergie (EMS) ou un autre dispositif Modbus.

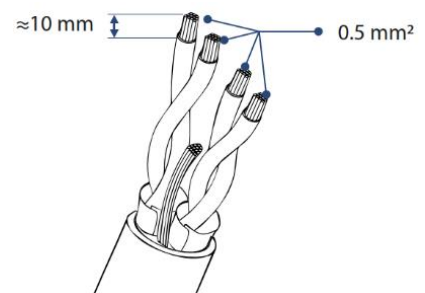
Et 1x port RS485 supplémentaire (CN12) pour communiquer avec un accessoire du Compteur :

- PowerMeter (DPM) pour la Dynamic Power Management.
-ET/OU -
- Compteur d'énergie certifié MIDcounter.

Cette section traite des exigences de la ligne RS485 et de la procédure générale de connexion, le câblage détaillé étant décrit au cas par cas dans les sections suivantes.

Exigences relatives au câble RS485

- Modbus RS485 torsadé STP 2x2 AWG24 ou S/FTP cat.7 adapté à l'installation avec une ligne électrique de 400V
- Taille du conducteur : 0,5 mm².
- Longueur de dénudage : 10 mm
- Longueur maximale recommandée : 150 m



Procédure de connexion

- 1) Sur le Chargeur, retirer le capuchon de protection du point d'entrée des câbles de communication et insérer la gaine ondulée Ø 25 mm.
- 2) Serrer la jonction boîtier-gaine du câble.
- 3) Insérer le câble de communication en le tirant jusqu'à ce qu'il atteigne le port de communication en laissant du mou.

NOTE : Les câbles de communication doivent être correctement espacés des cartes électroniques et acheminés latéralement entre la carte et la base en plastique.

- 4) Connectez le câble de communication au port approprié comme indiqué dans les sections suivantes.
- 5) Répétez la procédure pour chaque câble de communication que vous souhaitez installer.
- 6) Une résistance de terminaison de 120 Ω doit être installée à chaque extrémité de la ligne RS485.

La résistance est présente par défaut dans le chargeur.



AVERTISSEMENT

Les trous non utilisés doivent être obturés à l'aide des bouchons de protection fournis pour garantir l'indice de protection IP.

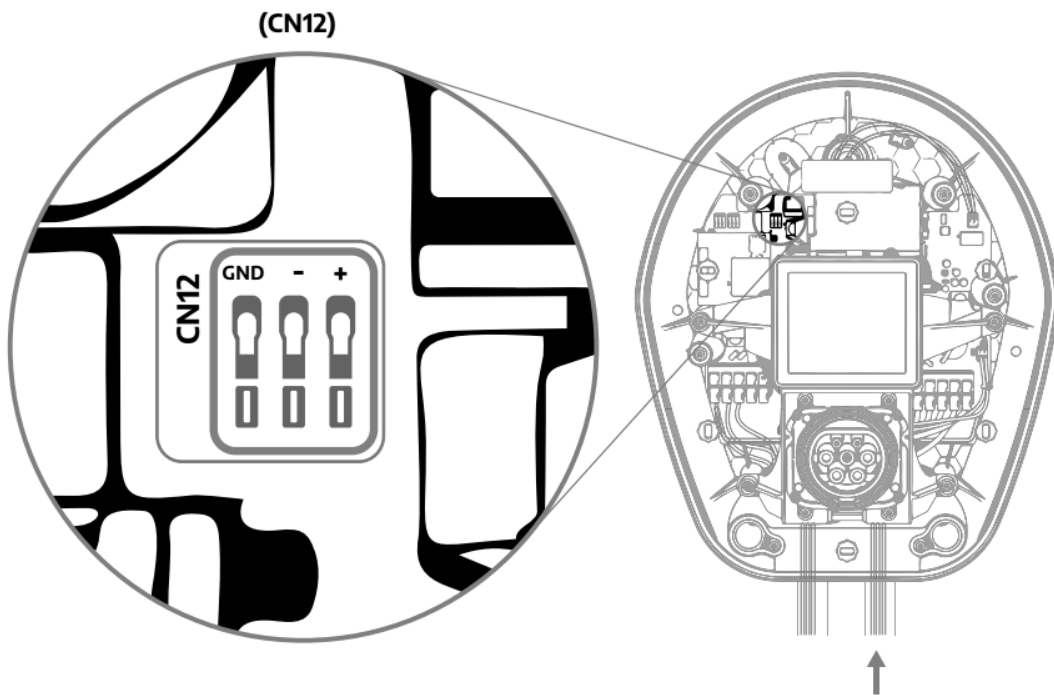
4.9.1. Connexion du PowerMeter (DPM)

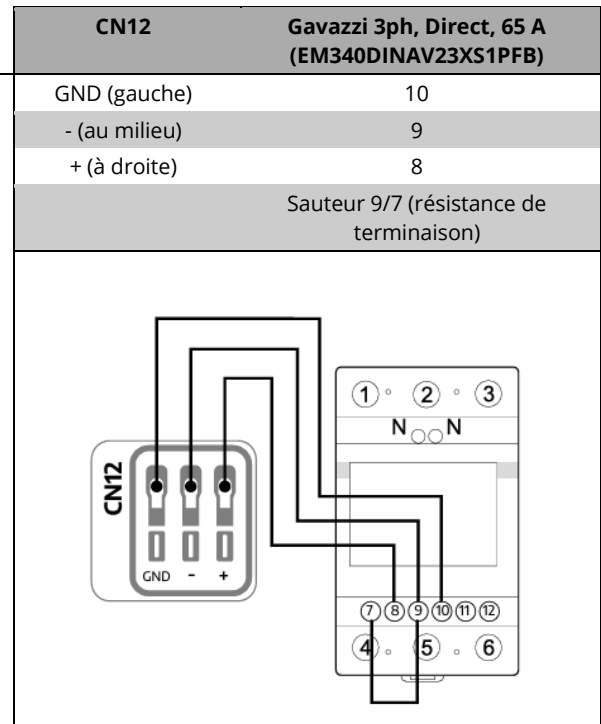
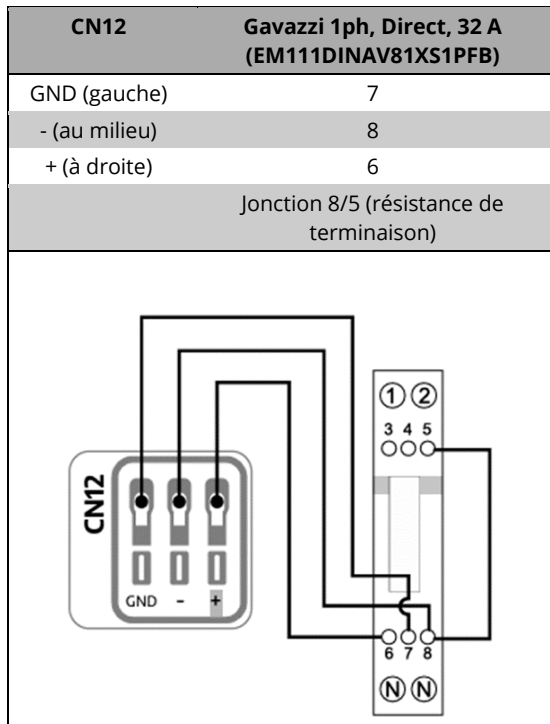
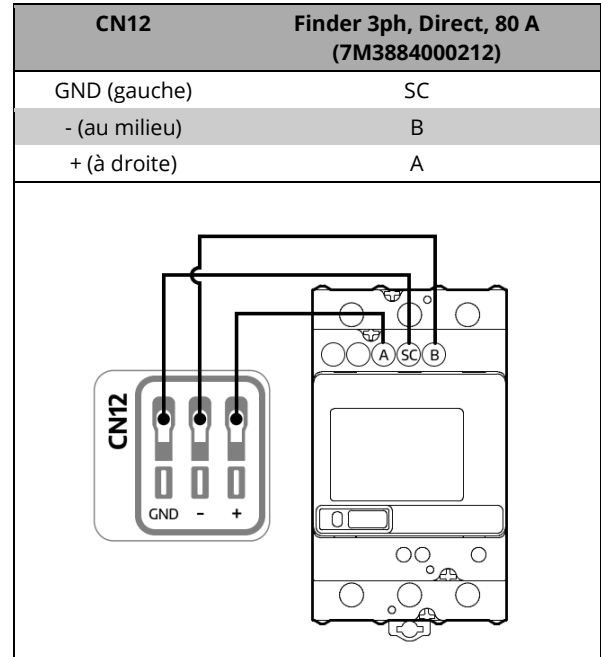
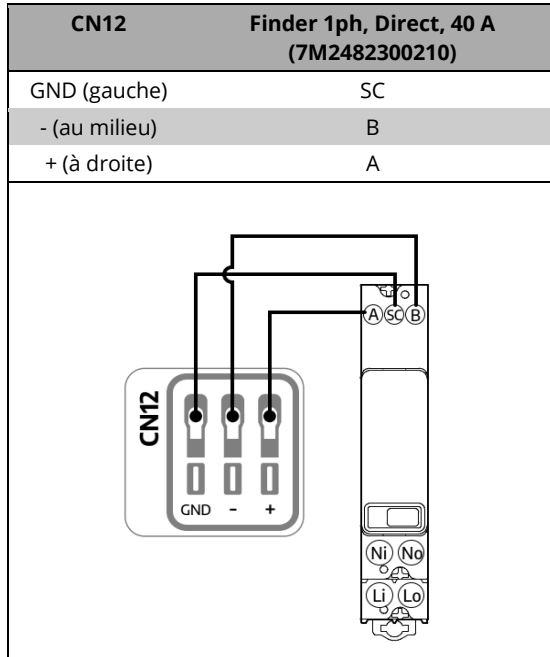
Connecter le PowerMeter (DPM) via RS485 après l'installation électrique décrite à la section 4.8.1. Comme le montrent les figures ci-dessous, utilisez le connecteur CN12 avec l'affectation des broches suivante :

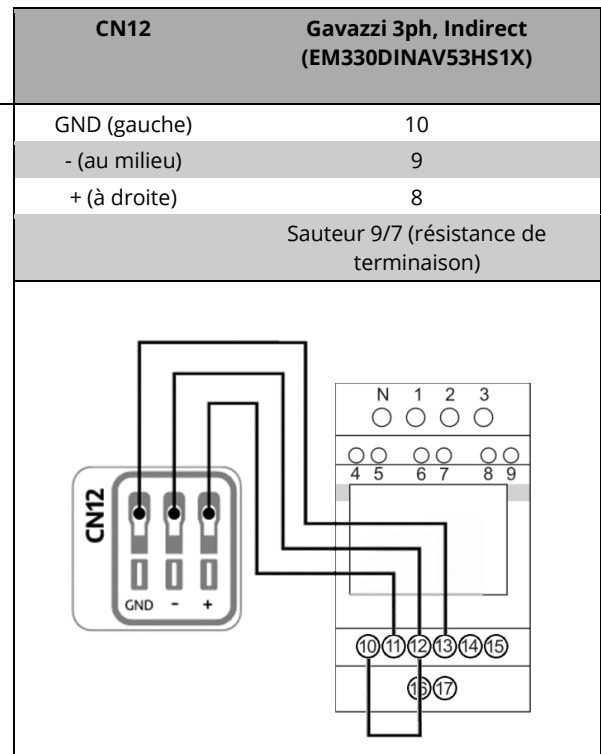
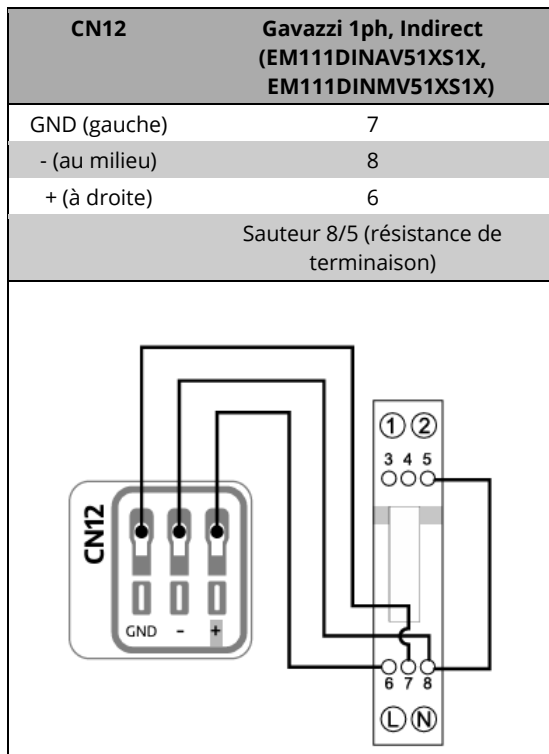
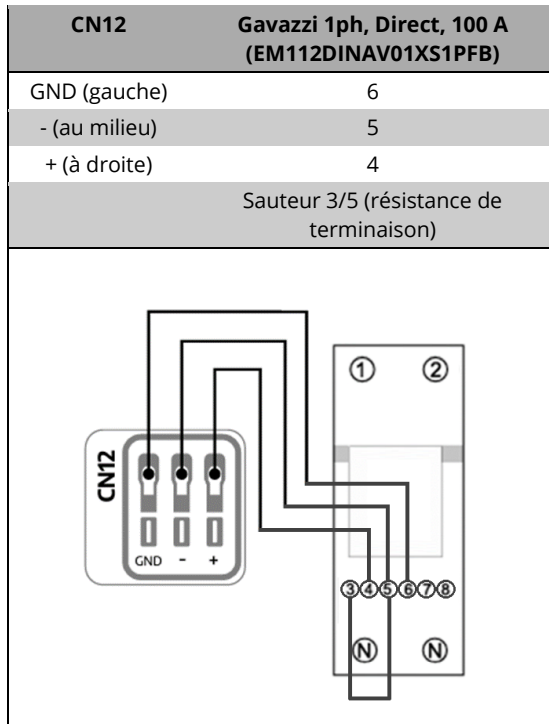
- **Gauche = GND**
- **Milieu = -**
- **Droite = +**

Selon le modèle du PowerMeter (DPM), reportez-vous à l'un des tableaux suivants pour connaître la disposition des connexions.

→ Si l'installation comprend à la fois PowerMeter (DPM) et MIDcounter, voir 4.9.3.







➔ Après la mise sous tension (4.11), le PowerMeter (DPM) doit être configuré comme décrit dans la section 5.2.

4.9.2. Connexion du compteur MID

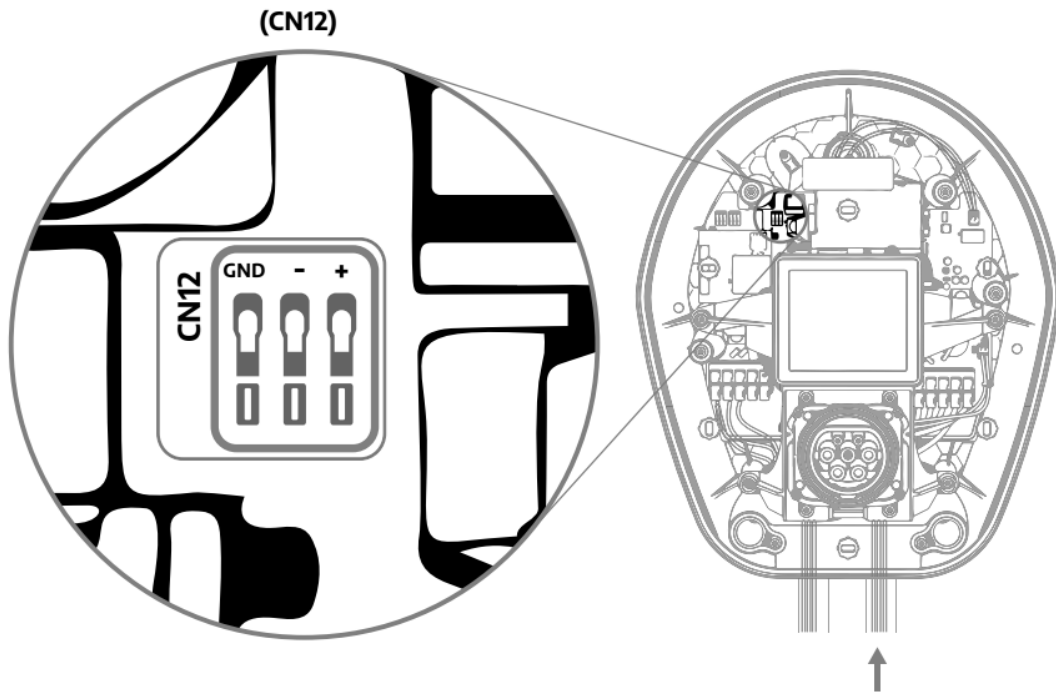
Connectez le MIDcounter via RS485 après l'installation électrique décrite dans la section 4.8.2.

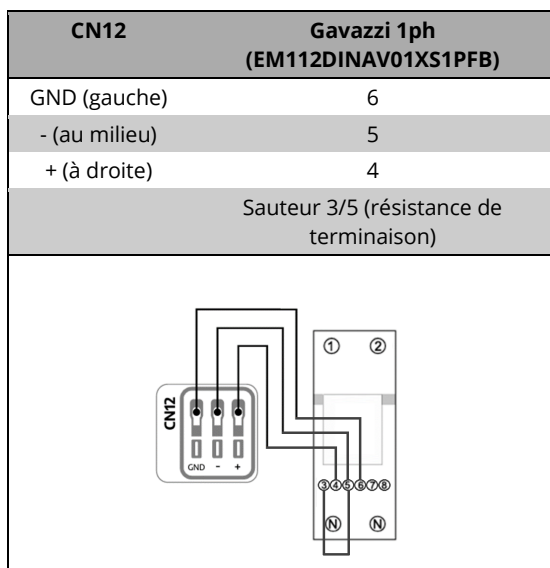
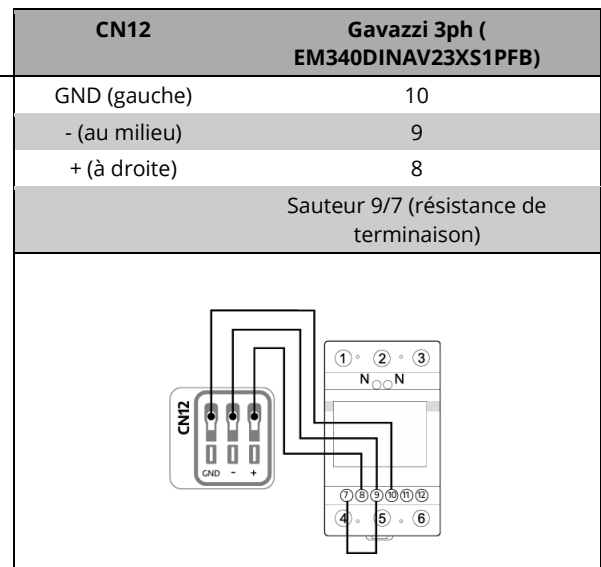
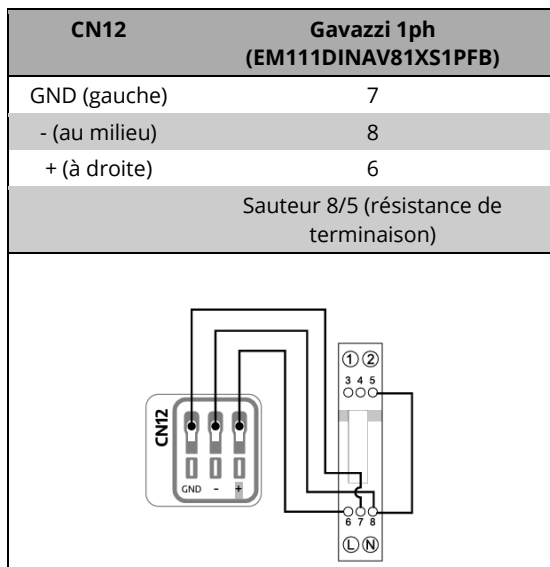
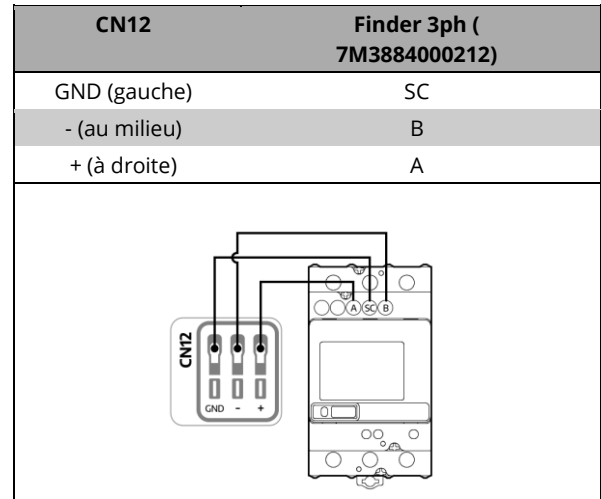
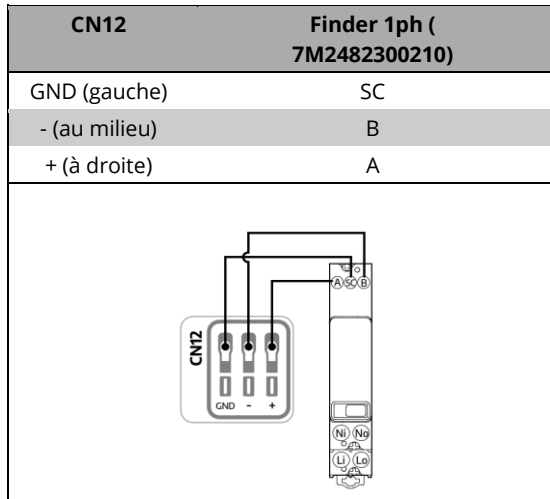
Comme le montre la figure, utilisez le connecteur CN12 avec l'affectation des broches suivante :

- **Gauche = GND**
- **Milieu = -**
- **Droite = +**

En fonction du modèle du MIDcounter, reportez-vous à l'un des tableaux suivants pour connaître le schéma de connexion.

→ Si l'installation comprend à la fois PowerMeter (DPM) et MIDcounter, voir 4.9.3.





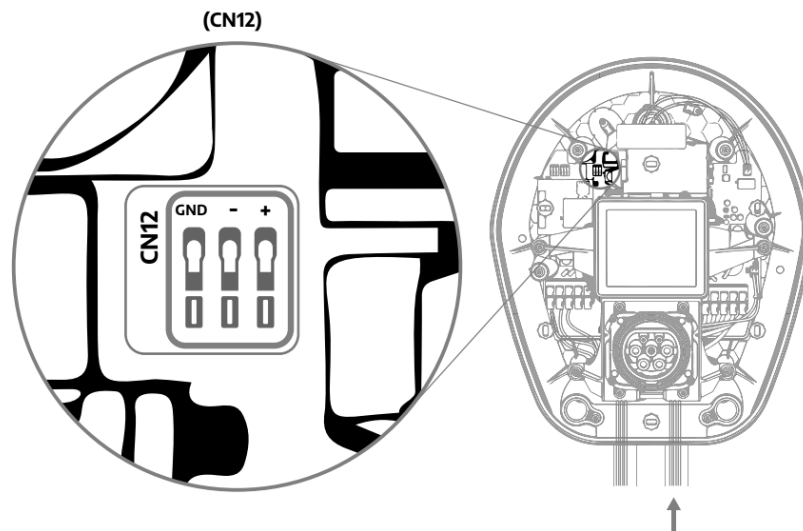
➔ Après la mise sous tension (4.11), le MIDcounter doit être configuré comme décrit dans la section 5.2.

4.9.3. Connexion du PowerMeter (DPM) et du compteur MID

Connectez le PowerMeter (DPM) et le MIDcounter via RS485 après l'installation électrique décrite à la section 4.8.3.

Comme le montre la figure, utilisez le connecteur CN12 avec l'affectation des broches suivante :

- **Gauche = GND**
- **Milieu = -**
- **Droite = +**



- En fonction des modèles de PowerMeter (DPM) et de MIDcounter, reportez-vous à l'un des tableaux suivants pour connaître la disposition des connexions.

PowerMeter (DPM)	MIDcounter	Chargeur	PowerMeter (DPM)	MIDcounter	Chargeur
DPM, Gavazzi, 1ph, Indirect 100 A /60A (EM111DINAV51XS1X, EM111DINMV51XS1X)	MID, Gavazzi, 1ph, Direct, 32 A (EM111DINAV81XS1PFB)	CN12	DPM, Gavazzi, 3ph, Indirect, 150 A (EM330DINAV53HS1X)	MID, Gavazzi, 3ph, Direct, 65 A (EM340DINAV23XS1PFB)	CN12
GND (7)	GND (7)	GND	GND (13)	GND (10)	GND
A-(8) / T*(5)	A- (8)	-	A-(12) / T*(10)	A-(9)	-
B+(6)	B+ (6)	+	B+ (11)	B+ (8)	+
DPM, Gavazzi, 1ph, Indirect 100 A / 60 A (EM111DINAV51XS1X, EM111DINMV51XS1X)	MID, Finder, 1ph, Direct, 40 A (7M2482300210)	CN12	DPM, Gavazzi, 3ph, Indirect, 150 A (EM330DINAV53HS1X)	MID, Finder, 3ph, direct, 80 A (7M3884000212)	CN12
GND (7)	SC	GND	GND (13)	SC	GND
A-(8) / T*(5)	B-	-	A-(12) / T*(10)	B-	-
B+(6)	A+	+	B+ (11)	A+	+
DPM, Gavazzi, 1ph, Direct, 32 A (EM111DINAV81XS1PFB)	MID, Gavazzi, 1ph Direct, 32 A (EM111DINAV81XS1PFB)	CN12	DPM, Gavazzi, 3ph Direct, 65 A (EM340DINAV23XS1PFB)	MID, Gavazzi, 3ph Direct, 65 A (EM340DINAV23XS1PFB)	CN12
GND (7)	GND (7)	GND	GND (10)	GND (10)	GND
A-(8) / T*(5)	A- (8)	-	A-(9) / T*(7)	A-(9)	-
B+(6)	B+ (6)	+	B+ (8)	B+(8)	+
DPM, Gavazzi, 1ph, Direct, 32 A (EM111DINAV81XS1PFB)	MID, Finder, 1ph Direct, 40 A (7M2482300210)	CN12	DPM, Gavazzi, 3ph Direct, 65 A (EM340DINAV23XS1PFB)	MID, Finder, 3ph Direct, 80 A (7M3884000212)	CN12
GND (7)	SC	GND	GND (10)	SC	GND
A- (8) / T*(5)	B-	-	A-(9) / T*(7)	B-	-
B+(6)	A+	+	B+(8)	A+	+
DPM, Gavazzi, 1ph, Direct, 100 A (EM112DINAV01XS1PFB)	MID, Gavazzi, 1ph, Direct, 100 A (EM112DINAV01XS1PFB)	CN12	DPM, Gavazzi, 1ph, Direct, 100 A (EM112DINAV01XS1PFB)	MID, Finder, 1ph Direct, 40 A (7M2482300210)	CN12
GND (6)	GND (6)	GND	GND (6)	SC	GND
A- (5) / T*(3)	A- (5)	-	A- (5) / T*(3)	B-	-
B+(4)	B+(4)	+	B+(4)	A+	+
DPM, Finder, 1ph, Direct, 40 A (7M2482300210)	MID, Gavazzi, 1ph Direct, 32 A (EM111DINAV81XS1PFB)	CN12	DPM, Finder, 3ph Direct, 80 A (7M3884000212)	MID, Gavazzi, 3ph Direct, 65 A (EM340DINAV23XS1PFB)	CN12
SC	GND (7)	GND	SC	GND (10)	GND
B-	A-(8)	-	B-	A-(9)	-
A+	B+(6)	+	A+	B+(8)	+
DPM, Finder, 1ph, Direct, 40 A (7M2482300210)	MID, Finder, 1ph Direct, 40 A (7M2482300210)	CN12	DPM, Finder, 3ph Direct, 80 A (7M3884000212)	MID, Finder, 3ph Direct, 80 A (7M3884000212)	CN12
SC	SC	GND	SC	SC	GND
B-	B-	-	B-	B-	-
A+	A+	+	A+	A+	+

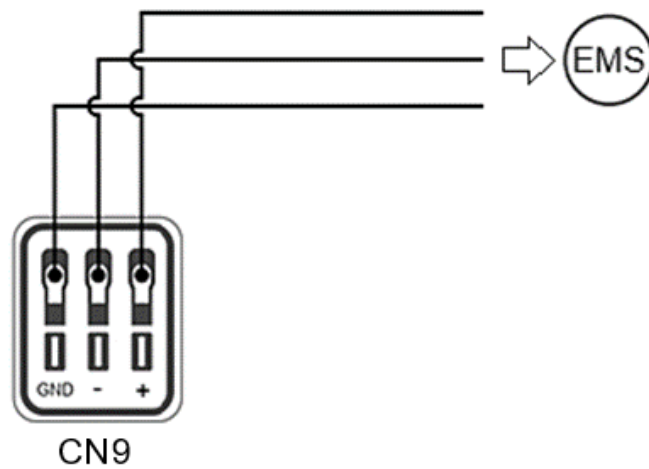
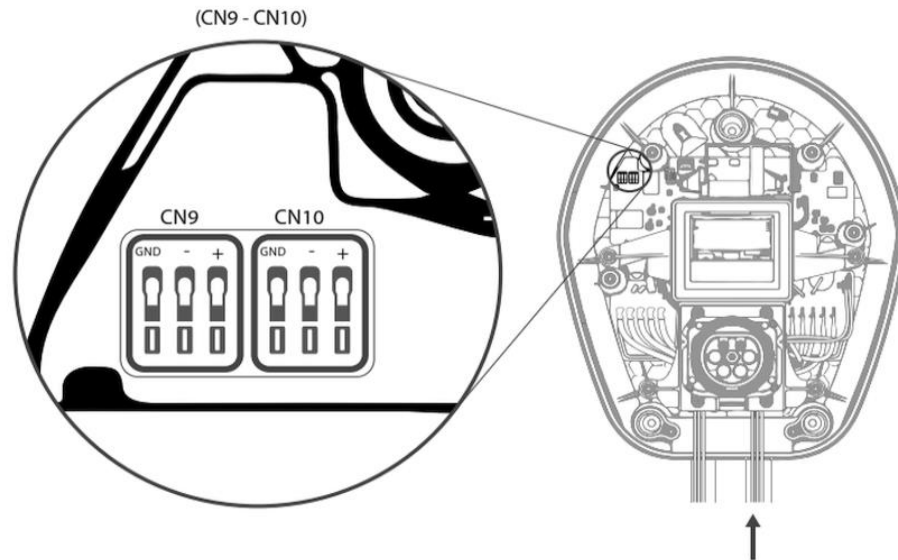
(*) Les modèles Gavazzi ont une résistance de terminaison intégrée, qui peut être activée en piquant ces bornes.

➔ Après la mise sous tension (4.11), le PowerMeter (DPM) et le MIDcounter doivent être configurés comme indiqué à la section 5.2.

→ Connexion de l'EMS au Modbus RS485

Comme le montre la figure ci-dessous, utilisez le connecteur CN9 avec l'affectation des broches suivante :

- **Gauche = GND**
- **Milieu = -**
- **Droite = +**



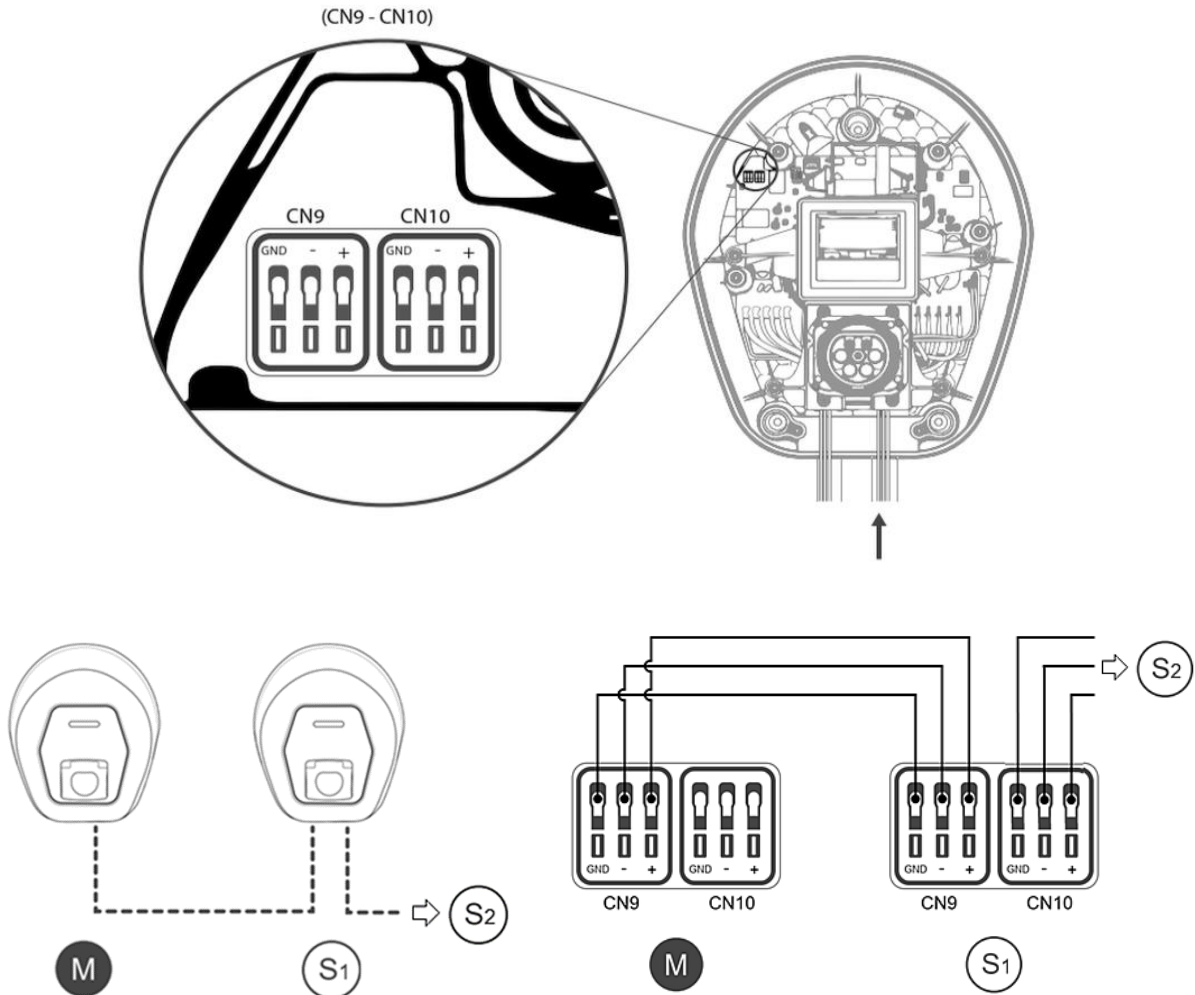
- La configuration de l'EMS sur l'application d'installation est décrite dans la section 5.11.3.
- Les fonctions EMS sont basées sur Modbus comme décrit dans la documentation Modbus Maps. Voir la section 1.4.

4.9.4. Connexion des chargeurs dans le réseau Charger Network/S M/S

Le chargeur principal peut être connecté à des chargeurs satellites via Modbus RS485 dans une configuration en guirlande (voir 5.11.2).

Comme le montrent les figures ci-dessous, utilisez les connecteurs CN9 et CN10 avec l'affectation des broches suivante :

- **Gauche = GND**
- **Milieu = -**
- **Droite = +**



➔ Après la mise sous tension (4.11), le réseau de chargeurs M/S doit être configuré dans l'application d'installation comme décrit dans la section 5.11.2.

4.10. Connexion Ethernet

Comme le montre le 3.6le chargeur est équipé d'un port Ethernet pour :

- Connexion OCPP via Internet.
-ET...
- Connexion Modbus TCP/IP à un système de gestion de l'énergie (EMS) ou à un appareil externe.
- Service à la clientèle.

Exigences en matière de câble Ethernet

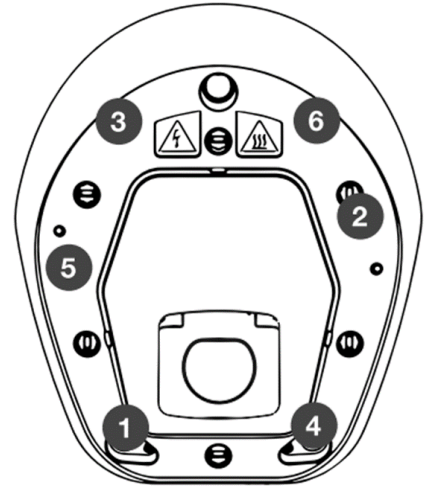
- Type de câble : Ethernet S/FTP cat.7
 - Longueur maximale jusqu'au routeur/commutateur : 110 m
 - Connecteur : RJ45 enfichable
- ➔ Par défaut, la connexion Ethernet est active avec des paramètres DHCP. Elle peut être désactivée ou reconfigurée comme décrit dans la section 5.5.

4.11. Vérification du système, fermeture et mise sous tension

Avant la fermeture, vérifiez que les câbles d'alimentation électrique sont correctement connectés, en vous assurant que les positions respectives des phases et du neutre dans le bornier CN1 respectent les marquages.

Procédure de clôture

- 1) Remettre la couverture en place
- 2) Serrez les boulons précédemment retirés dans l'ordre 1-6 indiqué sur la figure. Utiliser un couple de serrage de 2,5 Nm.
- 3) Remettez le Châssis extérieur en place, en poussant la languette en caoutchouc dans la fente et en appliquant une légère pression.
- 4) Mettez la Puissance sous tension en enclenchant le disjoncteur en amont.
- 5) Attendez que la barre ou l'écran LED s'allume.



AVIS

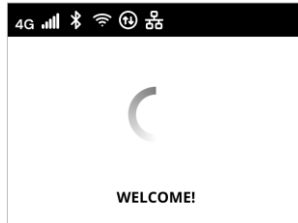
Il se peut que le chargeur ne s'allume pas immédiatement après la mise sous tension.

Cela peut prendre jusqu'à 30 secondes.

4.11.1. Écrans d'affichage eProWallbox

Cette section énumère les écrans d'affichage de l'**eProWallbox**. Le modèle **eProWallbox Move** est équipé d'une barre de LED comme décrit dans 4.11.2.

Chargement des écrans de session



Message de bienvenue, qui peut contenir un logo de marque. Après la mise sous tension, l'affichage peut prendre jusqu'à 30 secondes.

Les icônes dans l'en-tête indiquent les communications actives. Certaines icônes peuvent apparaître ou non en fonction du modèle et de la configuration.

4G [signal bars] 4G LTE, avec barres de signal



Bluetooth



Wi-Fi, avec barres de signal

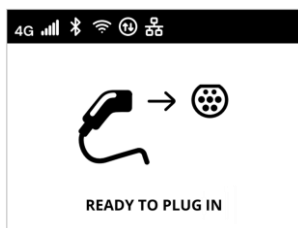


Connexion active avec le CPMS.

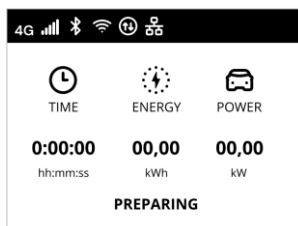
L'icône alternative ⓘ indique une condition d'échec de la communication.



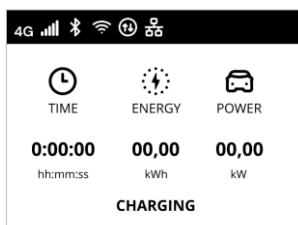
Câble Ethernet connecté



L'écran READY TO PLUG IN (Prêt à brancher) est l'écran par défaut du mode Autostart et s'affiche après une autorisation réussie. Il vous invite à insérer le câble de charge pour démarrer la session de charge.

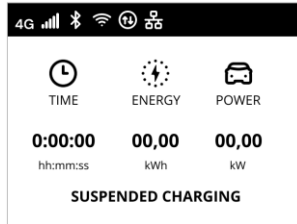


Pendant quelques secondes, l'écran PREPARING indique que la session de charge est en cours de préparation. Si cet écran persiste, cela signifie que le DPM ou d'autres fonctions d'équilibrage de la charge empêchent le démarrage de la charge. La charge démarrera dès que les conditions le permettront.

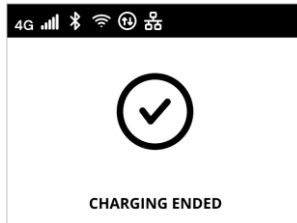


L'écran CHARGING affiche les paramètres de la session en cours :

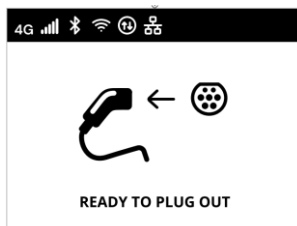
- TIME : Durée de la session
- ÉNERGIE : Énergie absorbée par le véhicule
- PUISSANCE : Puissance de charge actuelle.



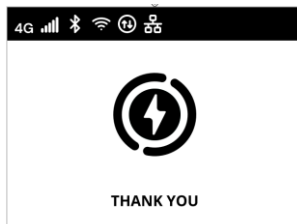
L'écran CHARGE SUSPENDUE indique que la session de charge a été suspendue par le DPM ou le VE. La session de charge reprendra automatiquement lorsque les conditions le permettront.



L'écran FIN DE CHARGE indique pendant 3 secondes la fin de la session de charge.

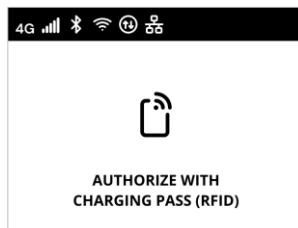


L'écran READY TO PLUG OUT s'affiche pendant 3 secondes pour indiquer que le câble de chargement doit être retiré.



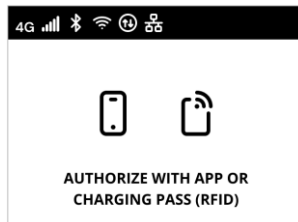
Cet écran de fin de session s'affiche pendant environ 5 secondes. L'écran peut contenir un logo de la marque.

Écrans d'autorisation d'accès



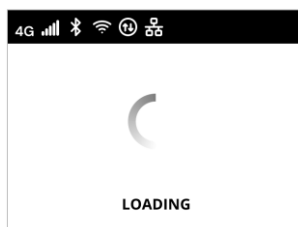
L'écran **AUTORISATION AVEC PASSE CHARGEMENT (RFID)** s'affiche lorsque le mode de fonctionnement Autorisation est activé.

Pour lancer le processus de chargement, vous devez être autorisé par une carte RFID.

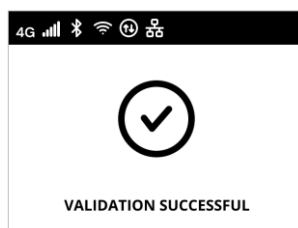


L'écran **AUTORISER AVEC APP OU CHARGING PASS (RFID)** s'affiche lorsque le mode de fonctionnement Autorisation est activé et que le CPMS est connecté.

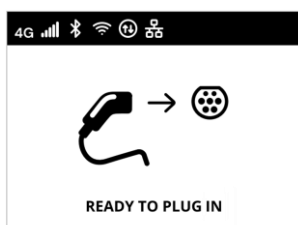
Pour lancer le processus de chargement, vous devez être autorisé par l'intermédiaire de l'application ou de la carte RFID.



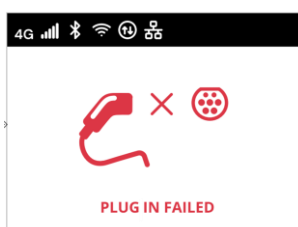
L'écran **LOADING** indique que les paramètres d'autorisation sont en cours de vérification.



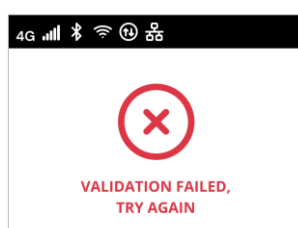
L'écran **VALIDATION RÉUSSIE** confirme pendant 3 secondes l'accès autorisé.



Une fois l'autorisation obtenue, l'écran **READY TO PLUG IN** indique que vous pouvez commencer à charger. Notez que vous disposez de 60 secondes pour brancher le connecteur de charge.

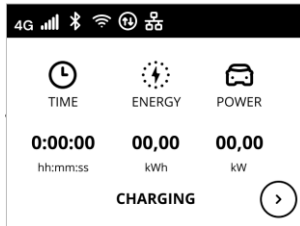


L'écran **PLUG-IN FAILED** indique qu'aucun câble n'a été branché dans les 60 secondes et que l'accès autorisé a expiré. Vous devez recommencer la procédure.

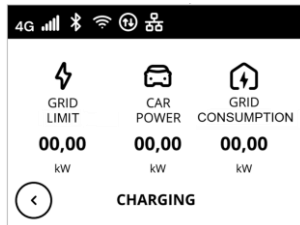


L'écran **VALIDATION FAILED, TRY AGAIN** s'affiche pendant 5 secondes pour indiquer que la tentative d'autorisation a échoué. Vérifiez votre méthode d'autorisation et recommencez la procédure.

Écrans d'information sur le DPM



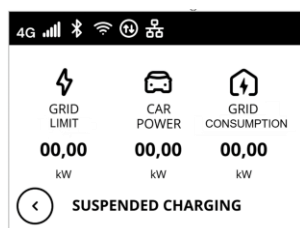
Si PowerMeter (DPM) est installé, un bouton est disponible en bas à droite de l'écran CHARGE pour afficher les informations de Dynamic Power Management.



L'écran CHARGING/DPM affiche les informations DPM de la session en cours :

- GRID LIMIT : limite de puissance du contrat
- CAR POWER : puissance absorbée par le véhicule
- GRID CONSUMPTION : puissance absorbée par le réseau

Appuyez sur le bouton en bas à gauche de l'écran pour revenir.



De la même manière que ci-dessus, les informations relatives au DPM peuvent être affichées à partir de l'écran CHARGE SUSPENDUE et de l'écran PRÉPARATION.

Écrans de conditions d'erreur



L'écran ERROR signale une condition d'erreur avec le code d'erreur. Voir le dépannage à la section 6.

Autres écrans



MISE À JOUR DU LOGICIEL EN COURS. Attendez la fin de la mise à jour.



DELAY avant la charge en cours.

4.11.2. eProWallbox Move Barre LED

REMARQUE : Cette section ne s'applique qu'à la barre LED du modèle **eProWallbox Move**. Le modèle **eProWallbox** est équipé d'un écran tel que décrit dans la section 4.11.1.

Comportement de la barre LED

Une fois le chargeur sous tension, la barre de LED clignote dans une séquence de couleurs. L'état du chargeur peut ensuite être facilement contrôlé grâce aux couleurs et au comportement de la LED frontale.

Lorsque le Chargeur est sous tension, la barre LED effectue une séquence de couleurs rouge, verte et bleue. Si cette condition persiste, contactez le service clientèle (voir section 9).



	BLEU	VERT	ROUGE	JAUNE
PULSING	Préparation de la charge	Chargement en cours		Mise à jour du logiciel
SOLIDE	Prêt à être branché (Autostart) ou autorisé par l'application (Authorization)	Charge suspendue par le DPM ou le VE (par exemple, charge complète).		Chargeur indisponible / verrouillé
FLASHING		Prêt à être branché	Erreur détectée	

AVIS

Le comportement des DEL peut varier en fonction de la version du logiciel.

5. MISE EN SERVICE

5.1. Processus de mise en service

Effectuez les étapes décrites dans les sections suivantes si nécessaire, en fonction de vos besoins spécifiques en matière d'installation.

- 1) Configurer le PowerMeter (DPM) et le MIDcounter. Voir 5.2.
- 2) Lancer PowerUp (l'application d'installation). Voir 5.3.
- 3) Si nécessaire, configurez les paramètres Wi-Fi. Voir la section 5.4.
- 4) Si nécessaire, configurez les paramètres Ethernet. Voir la section 5.5.
- 5) Visualiser les paramètres d'état et de chargeur. Voir 5.6 et 5.7.
- 6) Vérifier et mettre à jour la version du micrologiciel. Voir 5.8.
- 7) Régler le mode de fonctionnement. Voir la section 5.9.
- 8) Vérifier la puissance de charge maximale et l'ajuster si nécessaire. Voir la section 5.10.
- 9) S'il est installé, configurez le PowerMeter (DPM) sur l'App. Voir 5.11.
- 10) Si installé, configurez le MIDcounter sur l'App. Voir 5.11.
- 11) Si nécessaire, réglez les paramètres spécifiques au pays. Voir aussi 5.13.
- 12) Si nécessaire, configurez le réseau de chargeurs M/S. Voir 5.11.2.
- 13) Si nécessaire, configurez l'EMS. Voir la section 5.11.3.
- 14) Si la carte SIM doit être remplacée, configurez les paramètres de l'Internet mobile. Voir 5.14.
- 15) Si nécessaire, configurez la connexion OCPP du backend. Voir 5.15.
- 16) Veillez à redémarrer le chargeur pour que toutes les modifications soient prises en compte.
- 17) Si nécessaire, consulter le service de diagnostic pour résoudre les problèmes d'erreur. Voir 5.16.

5.2. Configuration du PowerMeter (DPM) et du MIDcounter

Lorsque les installations électriques et de communication sont terminées, vous pouvez mettre sous tension le compteur de puissance (DPM) et/ou le compteur MID (ci-après dénommé compteur d'énergie). Vous devez ensuite procéder à la configuration sur l'écran du compteur d'énergie.

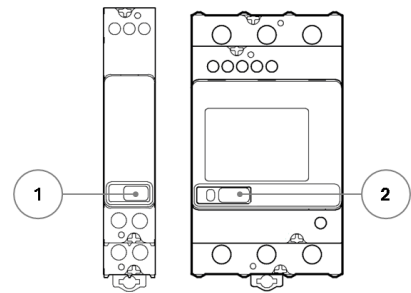
La configuration varie en fonction du modèle.

- ➔ Après la configuration locale décrite ici, dans le flux de travail de mise en service (voir section 5), le compteur doit également être configuré dans l'application d'installation (voir 5.11).

5.2.1. Configuration des modèles Finder

Règles générales de l'écran tactile Finder :

- Appuyez sur la touche tactile 1 ou 2, selon le modèle, pour faire défiler les éléments du menu et des paramètres.
- Appuyez sur la touche tactile (1 ou 2) et maintenez-la enfoncée (~2 secondes) pour confirmer la sélection de l'élément en cours.



Pour plus d'informations, voir le manuel d'utilisation de Finder.

Procédure de configuration

- 1) Pour entrer dans le menu principal, appuyez sur la touche tactile (1 ou 2) et maintenez-la enfoncée jusqu'à ce que le texte affiché clignote.
- 2) Faites défiler le menu principal à l'aide de la touche tactile (1 ou 2) et appuyez sur l'élément de menu **SET** ou **SETTINGS** et maintenez-le enfoncé.

REMARQUE : Selon le modèle, les noms des éléments de menu s'adaptent à la largeur de l'écran.

- 3) Faites défiler le menu **REGLAGES** et sélectionnez **COMM** ou **COMMUNICATION**.
- 4) Faites défiler le menu **COMM/COMMUNICATION** et sélectionnez les valeurs pour l'**adresse de l'appareil**, les **bits par seconde**, la **parité** et les **bits d'arrêt** comme indiqué dans le tableau ci-dessous.
- 5) Faites défiler et sélectionnez ESC pour revenir au menu principal.

Étapes supplémentaires pour les compteurs d'énergie triphasés uniquement

- 6) Faites défiler le menu principal et sélectionnez **INSTALLATION**.
- 7) Faites défiler le menu **INSTALLATION** et sélectionnez **MODE DE CONNEXION**.
- 8) Dans **MODE DE CONNEXION**, sélectionnez **3L+N, L+N-Arithmétique** (évaluation des phases individuelles).
- 9) Vérifiez que l'option correcte est définie et entrez le mot de passe **DCBA**.
NOTE : La configuration ne peut pas être modifiée après l'entrée du mot de passe DCBA.
- 10) Lorsque vous y êtes invité, confirmez la modification en sélectionnant **Oui**.

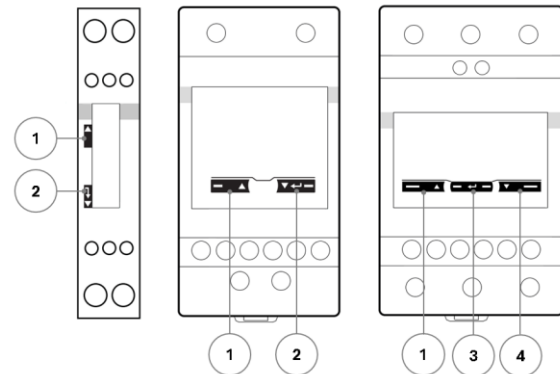
TOUS LES MODÈLES FINDER	PowerMeter (DPM)	MIDcounter
Adresse/adresse de l'appareil	1	2
Baud/Bits par seconde	38400 bit/s	38400 bit/s
Parité	Même	Même
Bit Stop/Stop	1	1

Supplément pour compteur d'énergie triphasé		
Mode de communication	3L+N, L+N-Arithmétique	3L+N, L+N-Arithmétique
Mot de passe	DCBA	DCBA

5.2.2. Configuration des modèles Gavazzi

L'écran tactile Gavazzi règne en maître :

- Appuyez sur la touche tactile 1 (haut) et 2 ou 4 (bas), selon le modèle, pour faire défiler les éléments du menu et des paramètres.
- Appuyez sur la touche tactile (2 ou 3) et maintenez-la enfoncée (~2 secondes) pour confirmer la sélection de l'élément en cours.



Pour plus d'informations, voir le manuel d'instructions Gavazzi.

Procédure de configuration

- 1) Lors de la première mise sous tension du Compteur d'énergie, appuyez sur la touche tactile 2 (ou 3) et maintenez-la enfoncée jusqu'à ce que le mot de passe apparaisse à l'écran.
- 2) Appuyez simultanément sur les touches tactiles 1 et 2 (ou 1 et 4) et maintenez-les enfoncées pour confirmer le mot de passe 0000 et entrer dans le menu principal.
- 3) Faites défiler le menu principal à l'aide des touches tactiles 1 et 2 (ou 1 et 4) et sélectionnez les options comme indiqué dans les tableaux ci-dessous.

TOUS LES MODÈLES GAVAZZI	PowerMeter (DPM)	MIDcounter
PASSER	0000	0000
ADRESSE	001	002
BAUD	38.4	38.4
PARITÉ	Même	Même
Supplément pour compteur d'énergie triphasé		
SYSTÈME	3Pn	3Pn
ADRESSE	001	002

5.2.3. Résumé de la configuration des compteurs d'énergie

Finder 1ph Direct DPM	
ADRESSE DU DISPOSITIF	_1
BITS PAR SECONDE (BAUD)	38400
PARITÉ	ÉVÉNEMENT
BIT D'ARRÊT	1

Finder 1ph Direct MID	
ADRESSE DU DISPOSITIF	_2
BITS PAR SECONDE (BAUD)	38400
PARITÉ	ÉVÉNEMENT
BIT D'ARRÊT	1

Finder 3ph Direct DPM	
ADRESSE DU DISPOSITIF	_1
BITS PAR SECONDE (BAUD)	38400
PARITÉ	ÉVÉNEMENT
BIT D'ARRÊT	1
MODE DE CONNEXION	3L+N, L+N - Arithmétique
MOT DE PASSE	DCBA

Finder 3ph Direct MID	
ADRESSE DU DISPOSITIF	_2
BITS PAR SECONDE (BAUD)	38400
PARITÉ	ÉVÉNEMENT
BIT D'ARRÊT	1
MODE DE CONNEXION	3L+N, L+N - Arithmétique
MOT DE PASSE	DCBA

GAVAZZI 1phDirect/Indirect DPM	
PASSER	0000
ADRESSE	001
BAUD	38.4
PARITÉ	Même

GAVAZZI 1phDirect MID	
PASSER	0000
ADRESSE	002
BAUD	38.4
PARITÉ	Même

GAVAZZI 3phDirect/Indirect DPM	
PASSER	0000
SYSTÈME	3Pn
ADRESSE	001
BAUD	38.4
PARITÉ	Même

GAVAZZI 3phDirect MID	
PASSER	0000
SYSTÈME	3Pn
ADRESSE	002
BAUD	38.4
PARITÉ	Même

5.3. Lancement de PowerUp

Lorsque l'installation électrique est terminée, le chargeur doit être configuré par le biais d'une connexion Bluetooth à l'aide de l'application d'installation dédiée **App PowerUp** (cf. 3.8).

AVIS

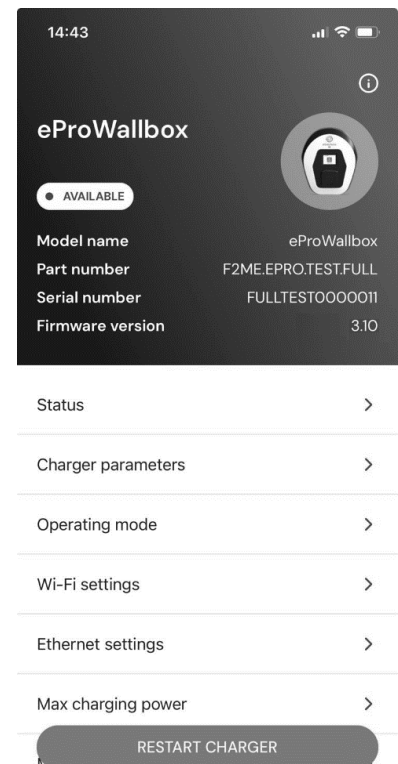
PowerUp est destiné à être utilisé uniquement par des installateurs qualifiés.

AVIS

Pour accéder à toutes les fonctions, il faut toujours mettre à jour PowerUp à la version la plus récente.

Procédure d'installation et de démarrage de l'application

- 1) Assurez-vous que le Bluetooth est activé sur votre smartphone.
- 2) Mettre à jour/télécharger la dernière version de **PowerUp** (voir 3.8) et l'exécuter.
- 3) Sélectionnez la langue et acceptez les conditions d'utilisation.
- 4) Retirez le Châssis extérieur et scannez le code QR du chargeur sur le couvercle (voir 3.3).
 - Si la connexion Bluetooth avec le chargeur réussit, la page d'accueil apparaît avec des informations générales sur le chargeur et le menu de configuration.
 - S'il n'est pas joignable, essayez de redémarrer l'APP ou le chargeur.
- 5) Suivez le menu séquentiellement ou allez directement à la page des paramètres que vous voulez configurer. Voir les sections suivantes pour des instructions détaillées.



NOTES GÉNÉRALES SUR LES PAGES DE CONFIGURATION

- Dans les pages de configuration, sélectionnez **ENVOYER** pour mettre à jour les paramètres du chargeur.
- Sélectionnez ← en haut à gauche de l'écran pour revenir.
- Lorsque toutes les modifications sont terminées, sélectionnez **RESTART CHARGER** à partir de la page d'accueil pour que les modifications prennent effet.

5.4. Paramètres Wi-Fi

La page des **paramètres Wi-Fi** vous permet de configurer la connexion Wi-Fi qui permet la communication avec CPMS ou un système backend tiers (voir 5.15).

AVIS

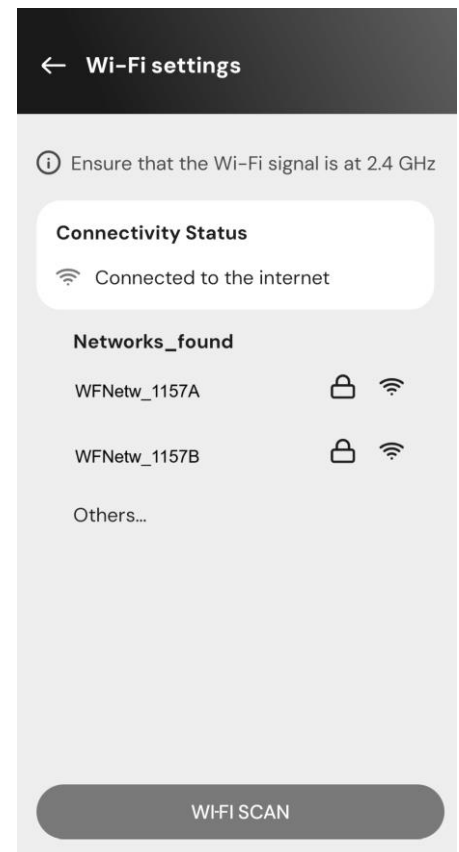
Le chargeur n'est compatible qu'avec les réseaux Wi-Fi de 2,4 GHz. Si vous essayez de vous connecter à un réseau Wi-Fi 5 GHz, il ne fonctionnera pas.

Procédure de configuration

- 1) Sur la page d'accueil de **PowerUp**, sélectionnez **Paramètres Wi-Fi**.
 - La page des **paramètres Wi-Fi** affiche l'état de la connectivité, qui est initialement non connectée.
- 2) Sélectionnez le bouton **WI-FI SCAN** et sélectionnez le réseau Wi-Fi (ou hotspot) que vous souhaitez utiliser, puis entrez le mot de passe et sélectionnez **Connecter**. Vous pouvez également sélectionner **Autres** et saisir manuellement le nom Wi-Fi (SSID) et le mot de passe.

REMARQUE : Seuls les réseaux 2,4 GHz sont répertoriés comme étant disponibles, à l'exclusion des autres réseaux incompatibles.

- Si la connexion est réussie, l'état de la connectivité affiche **Connecté à Internet**.



AVIS

À des fins de service, vous pouvez connecter temporairement le chargeur à un hotspot Wi-Fi généré par n'importe quel smartphone, y compris celui utilisé pour la configuration. Vérifiez les paramètres de votre smartphone et assurez-vous que le point d'accès Wi-Fi fonctionne à 2,4 GHz.

Utilisez cette procédure si le chargeur est hors ligne et qu'une mise à jour logicielle est nécessaire.

5.5. Paramètres Ethernet

La page des **paramètres Ethernet** vous permet de configurer la connexion Ethernet qui peut être activée :

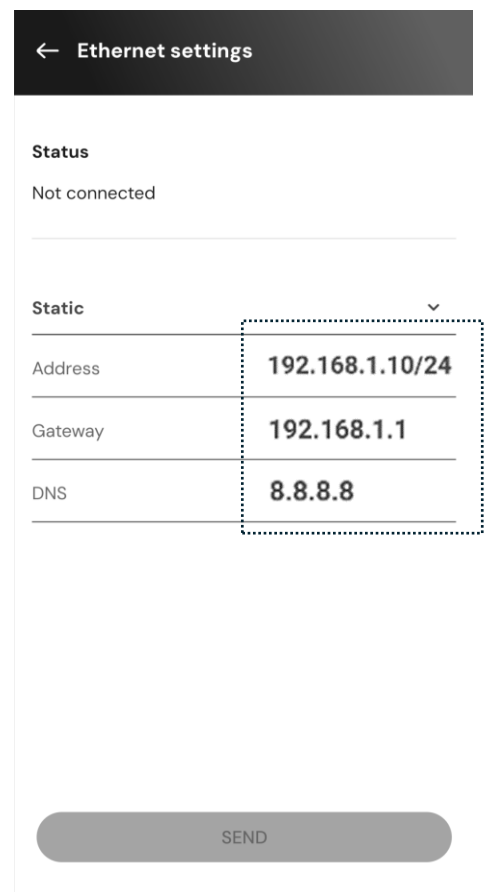
- Connexion au CPMS ou à un système backend tiers via OCPP
- Système de gestion de l'énergie via Modbus TCP/IP

Lorsque l'appareil est connecté, la communication Ethernet démarre automatiquement avec les paramètres DHCP. Vous pouvez ici modifier les paramètres par défaut.

Procédure de configuration

- La connexion Ethernet doit être en place comme décrit dans la section 4.10.
- 1) Sur la page d'accueil de **PowerUp**, sélectionnez **Paramètres Ethernet**.
→ La page **Paramètres Ethernet** s'affiche. Elle indique l'état de la connexion Ethernet.
 - 2) Sélectionnez le mode d'adressage IP, qui peut être :
 - **DHCP** (valeur par défaut) : Si le routeur local prend en charge le protocole DHCP pour définir l'adresse IP de manière dynamique (valeur par défaut).
NOTE : Si le serveur DHCP n'est pas disponible, le chargeur définit automatiquement une adresse IP statique par défaut (169.254.0.3/16). Lorsque le serveur DHCP est rétabli, le réglage du chargeur revient à DHCP.
 - **Statique** : Les paramètres de l'adresse IP sont définis manuellement. Dans ce cas, vous pouvez spécifier :
 - **Adresse** (obligatoire) : L'adresse IP du Chargeur en notation CIDR, par exemple 192.168.1.10/24, où /24 indique un masque de sous-réseau de 24 bits (255.255.255.0), ce qui laisse 8 bits au réseau IP pour contenir 256 adresses IPv4, de 0 à 255.
 - **Passerelle** (facultatif) : L'adresse IP de la passerelle par défaut, généralement le routeur local vers Internet. Par exemple, 192.168.1.1.
 - **DNS** (facultatif) : L'adresse IP du serveur DNS. Si vous n'avez pas l'intention d'utiliser un serveur spécifique, vous pouvez entrer l'adresse du serveur DNS de Google (8.8.8.8) ou de Cloudflare (1.1.1.1).
 - **Aucun** : La ligne Ethernet est désactivée.
 - 3) Sélectionnez **SEND** et redémarrez le Chargeur à partir de la page d'accueil pour que les changements prennent effet. Pour gagner du temps, vous pouvez redémarrer plus tard après avoir effectué tous les changements nécessaires.

→ La configuration de l'OCPP est décrite dans 5.15.
→ La configuration de l'EMS est décrite dans 5.11.3.



← Ethernet settings

Status
Not connected

Static

Address	192.168.1.10/24
Gateway	192.168.1.1
DNS	8.8.8.8

SEND

5.6. Statut

La page **État** indique l'état des éléments suivants

- Carte SIM
- Connectivité Wi-Fi

5.7. Paramètres du chargeur

La page des **paramètres du Chargeur** vous permet de visualiser :

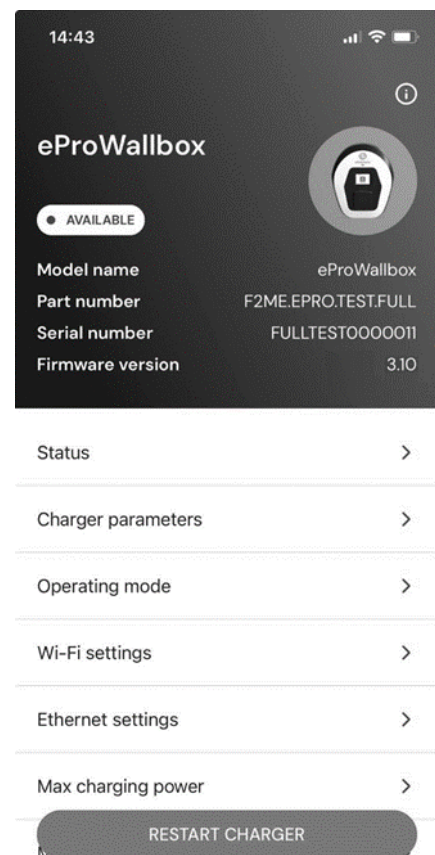
- Date d'activation
- Alimentation électrique (monophasée ou triphasée)
- Position du Rotary Switch indiquant la puissance maximale disponible (cf. 4.6)

5.8. Version du micrologiciel visualiser et mettre à jour

La version du micrologiciel du chargeur est affichée sur la page principale de PowerUp. Vérifier que la version est couverte par ce manuel (voir 1.3). Si nécessaire, procurez-vous le manuel de la version correcte (voir 1.4).

Processus de mise à jour du micrologiciel

- Le chargeur doit être connecté à l'internet par l'un des moyens suivants :
 - 4G LTE (eProWallbox uniquement)
 - Wi-Fi
 - Ethernet
- Une fois connecté, le micrologiciel est automatiquement mis à jour en une ou plusieurs étapes. L'ensemble du processus peut prendre quelques heures.
- La mise à jour proprement dite commence lorsque le chargeur n'est pas utilisé.

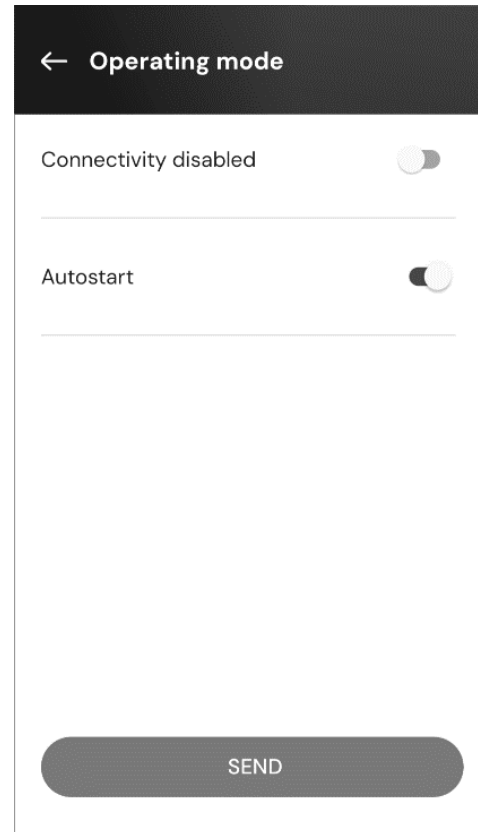


5.9. Mode de fonctionnement

La page **Mode de fonctionnement** permet de définir les options de connectivité et d'autorisation.

Procédure de configuration

- 1) Sur la page d'accueil de **PowerUp**, sélectionnez **Operating mode**.
→ La page **Mode de fonctionnement** affiche deux paramètres à régler.
- 2) **Connectivité désactivée** : Permet de choisir si le chargeur est connecté ou non au CPMS.
 - **Connectivité désactivée** non paramétrée (valeur par défaut) : Le chargeur est connecté au système de gestion des points de charge (CPMS), ce qui permet les mises à jour logicielles, l'assistance client à distance et permet aux utilisateurs de bénéficier du maximum de fonctionnalités de l'appli utilisateur (cf. 3.8).
 - **Kit de connectivité désactivée** : Le chargeur fonctionne en mode autonome et n'est pas connecté au système de gestion des points de charge (CPMS). L'utilisateur a accès à des fonctionnalités limitées dans l'application utilisateur, uniquement via Bluetooth.
- 3) **Démarrage automatique** : Sélectionnez si l'autorisation de chargement est requise.
 - **Démarrage automatique** activé (valeur par défaut) : Aucune autorisation n'est requise et la session de charge peut démarrer en branchant simplement le câble de charge.
 - **Le démarrage automatique** n'est pas activé : La charge doit être autorisée par :
 - Présentation du Charging Pass (RFID) sur le chargeur (modèle **eProWallbox** uniquement)
 - Autoriser la session à partir de l'application utilisateur (voir 3.8). Cette fonction n'est disponible que si le chargeur est connecté à un CPMS.
- 4) Sélectionnez **SEND** et redémarrez le Chargeur à partir de la page d'accueil pour que les changements prennent effet. Pour gagner du temps, vous pouvez redémarrer plus tard après avoir effectué tous les changements nécessaires.



5.10. Puissance de charge maximale

La page **Puissance de charge maximale** permet de réduire la puissance maximale disponible telle qu'elle a été définie lors de l'installation électrique à l'aide du commutateur rotatif **SW1**.


Procédure de configuration

- 1) Dans la page d'accueil **Puissance**, sélectionnez **Puissance de charge maximale**.
→ La page **Alimentation électrique maximale** indique la position du Rotary Switch qui détermine le type d'alimentation électrique (monophasée ou triphasée) et la limite de puissance maximale (cf. 4.6).
- 2) Ajustez le curseur **Puissance de charge maximale** pour réduire la valeur maximale si nécessaire.
- 3) Sélectionnez **SEND** et redémarrez le Chargeur à partir de la page d'accueil pour que les changements prennent effet. Pour gagner du temps, vous pouvez redémarrer plus tard après avoir effectué tous les changements nécessaires.

← Max charging power

Power supply
Single-phase

Rotary switch position



Max A 32.0
Max kW 7.4

Max charging power 7.4 kW

1.4 kW 7.4 kW

SEND

5.11. Gestion de l'énergie

La page Gestion de l'énergie vous permet de définir la fonction de gestion de l'énergie souhaitée, en choisissant l'une des options suivantes :

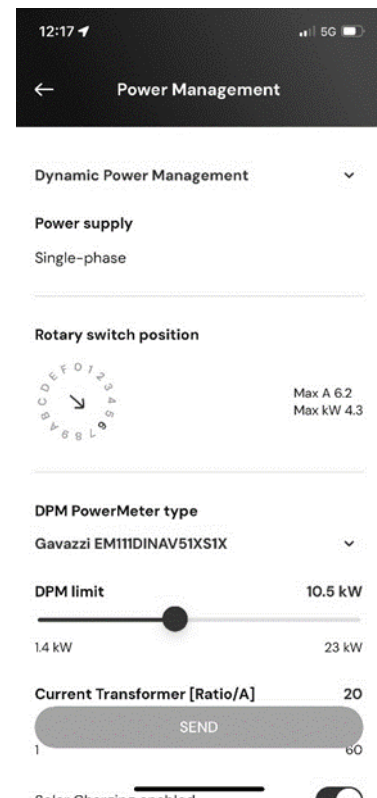
- Désactivé : toutes les fonctions sont désactivées
- Gestion dynamique de l'énergie (PowerMeter DPM)
- Principal/Satellite
- Système de gestion de l'énergie domestique (serveur ModBus) - valeur par défaut

5.11.1. Dynamic Power Management

La page Dynamic **Power Management** permet de définir les options DPM.

Procédure de configuration

- La connexion du **PowerMeter (DPM)** doit être en place comme décrit dans la section 4.9.1.
 - Le **PowerMeter (DPM)** doit être configuré comme indiqué à la section 5.2.
- 1) Dans la page Gestion de l'énergie, sélectionnez Gestion dynamique de l'énergie.
 - 2) Dans DPM PowerMeter type, sélectionnez le dispositif installé parmi ceux de la liste.
 - 3) Dans Limite DPM, définissez la puissance contractuelle. Pour les modèles DPM PowerMeter indirects, définissez le rapport du transformateur de courant ou l'ampérage.
 - 4) Si l'appareil est installé, configurez la charge solaire (voir ci-dessous).
 - 5) Sélectionnez **SEND** et redémarrez le Chargeur à partir de la page d'accueil pour que les modifications prennent effet. Pour gagner du temps, vous pouvez redémarrer plus tard après avoir effectué toutes les modifications nécessaires.



5.11.1.1. Chargement solaire et stockage d'énergie

Le chargement solaire permet d'intégrer le chargeur à un système solaire photovoltaïque (PV) existant afin de maximiser l'utilisation des sources d'énergie renouvelable lors du chargement du véhicule.

Cette fonction n'est possible que lorsqu'un PowerMeter (DPM) est installé et configuré. Pour le positionnement correct du DPM, se référer aux diagrammes de la section 4.8.1.

Dans la configuration de la gestion dynamique de l'énergie (voir 5.11.1) :

- 1) Activez le chargement solaire en cliquant sur la bascule. Sélectionnez ensuite l'un des modes suivants :
 - Mode hybride : Le réseau et l'énergie photovoltaïque sont tous deux utilisés.
 - Mode vert : Maximise l'utilisation de l'énergie photovoltaïque.

REMARQUE : le mode vert peut temporairement interrompre la charge si la puissance photovoltaïque disponible est insuffisante.
- 2) Activer le **stockage d'énergie**, le cas échéant.

5.11.2. Main/Satellite

La page **Main/Satellite** vous permet de configurer le réseau de chargeurs M/S, où un chargeur principal peut coordonner via RS485 jusqu'à cinq chargeurs satellites pour un fonctionnement équilibré en fonction de la puissance maximale disponible au point de connexion commun.

Pour mettre en place le réseau de chargeurs M/S, sur l'application d'installation, vous devez configurer le chargeur principal et les chargeurs satellites comme décrit ci-dessous.

Procédure de configuration du chargeur principal

- La connexion Modbus RS485 doit être mise en place comme décrit dans la section 4.9.4.
 - 1) Dans la page Gestion de l'énergie, sélectionnez Principal/Satellite.
 - 2) Activer la fonction.
 - 3) Dans M/S role (rôle M/S), sélectionnez Main (principal) pour le chargeur principal.
 - 4) Dans Group power limit, déplacez le curseur pour définir la puissance maximale pour l'ensemble des chargeurs en réseau.
 - 5) Sélectionnez **SEND** et redémarrez le Chargeur à partir de la page d'accueil pour que les changements prennent effet. Pour gagner du temps, vous pouvez redémarrer plus tard après avoir effectué tous les changements nécessaires.

Procédure de configuration du chargeur satellite

- La connexion Modbus RS485 doit être mise en place comme décrit dans la section 4.9.4.
 - 1) Dans la page Gestion de l'énergie, sélectionnez Principal/Satellite.
 - 2) Activer la fonction.
 - 3) Dans le rôle M/S, sélectionnez Satellite et un numéro unique de 1 à 5.
 - 4) Sélectionnez **SEND** et redémarrez le Chargeur à partir de la page d'accueil pour que les changements prennent effet. Pour gagner du temps, vous pouvez redémarrer plus tard après avoir effectué tous les changements nécessaires.

5.11.3. Paramètres du système de gestion de l'énergie (serveur ModBus)

Le chargeur peut être connecté à un système de gestion de l'énergie (HEMS) ou à un autre dispositif Modbus via Modbus RTU sur RS485 ou Modbus TCP/IP sur Ethernet.

Cette fonction est activée par défaut dans le menu de l'application.

- ➔ Les fonctions HEMS sont basées sur Modbus comme décrit dans la documentation Modbus Maps. Voir la section 1.4.

Procédure de configuration

- 1) Dans la page Gestion de l'énergie, sélectionnez Système de gestion de l'énergie domestique.
- 2) Dans le protocole Modbus, sélectionnez RTU ou TCP/IP.

5.11.3.1. Modbus RTU

Procédure de configuration

- Le câblage RS485 doit être en place comme décrit au point 4.9.
- 1) Entrez les paramètres Modbus RS485 RTU :
 - Adresse Modbus du Chargeur : 1 par défaut (de 1 à 32)
 - Vitesse de transmission : 115200 par défaut.
 - 2) Sélectionnez **SEND** et redémarrez le Chargeur à partir de la page d'accueil pour que les changements prennent effet. Pour gagner du temps, vous pouvez redémarrer plus tard après avoir effectué tous les changements nécessaires.

5.11.3.2. Modbus TCP/IP

Procédure de configuration

- Le câblage Ethernet doit être effectué comme décrit dans la section 4.10.
- 1) Entrer les paramètres Modbus TCP/IP :
 - **Port**, par défaut 502. Vous pouvez le modifier en cas de conflit avec d'autres applications.
 - **Timeout** : par défaut, 1000 msec. Vous pouvez le modifier en cas de conflit avec d'autres applications.
 - Les adresses **IP** (obligatoire), **Gateway et DNS** peuvent être configurées.
 - 2) Sélectionnez **SEND** et redémarrez le Chargeur à partir de la page d'accueil pour que les changements prennent effet. Pour gagner du temps, vous pouvez redémarrer plus tard après avoir effectué tous les changements nécessaires.

5.12. MIDcounter

Procédure de configuration

- La connexion **MIDcounter** doit être mise en place comme décrit dans la section 4.9.2.
 - Le **MIDcounter** doit être configuré comme décrit dans la section 5.2.
- 1) Sur la page d'accueil de **PowerUp**, sélectionnez **MIDcounter**.
 - 2) Dans **Type de compteur MID**, sélectionnez l'une des options suivantes :
 - **OFF** (valeur par défaut) si vous n'avez pas installé **MIDcounter**.
 - L'appareil installé parmi ceux de la liste.
 - 3) Sélectionnez **SEND** et redémarrez le Chargeur à partir de la page d'accueil pour que les changements prennent effet. Pour gagner du temps, vous pouvez redémarrer plus tard après avoir effectué tous les changements nécessaires.

← MIDcounter

Power supply

Single-phase

MIDcounter type

OFF

OFF

FINDER 7M.24.8.230.0210

FINDER 7M.38.8.400.0212 (1 ph)

Gavazzi EM111DINAV81XS1PFB

SEND

5.13. Paramètres spécifiques au pays

La page des **paramètres nationaux** vous permet de définir des fonctionnalités pour des pays spécifiques.

AVIS

En tant qu'installateur, il est de votre responsabilité de vérifier que ces réglementations sont toujours en vigueur et de vérifier toute réglementation locale supplémentaire qui pourrait s'appliquer à l'utilisation de ce produit dans le pays d'installation.

5.13.1. Déséquilibre de charge (AT, CH, DE, NL)

Le Déséquilibre de charge est une fonction de gestion de la Puissance permettant de se conformer aux normes pour l'Autriche, l'Allemagne, les Pays-Bas et la Suisse, où le déséquilibre de courant entre les phases ne doit pas différer de plus d'une certaine valeur. Cette fonction empêche les véhicules monophasés de tirer du réseau un courant déséquilibré plus important que ne l'exigent les réglementations locales.

La fonction Déséquilibre de charge est désactivée (**OFF**) par défaut. Pour l'activer :

- 1) Sur la page d'accueil de **PowerUp**, sélectionnez **Country Settings**.
- 2) Dans **Charge déséquilibrée**, sélectionner la valeur selon les normes locales :
 - **20 A** pour l'Allemagne
 - **16 A** pour l'Autriche, la Suisse et les Pays-Bas.
- 3) Sélectionnez **SEND** et redémarrez le Chargeur à partir de la page d'accueil pour que les changements prennent effet. Pour gagner du temps, vous pouvez redémarrer plus tard après avoir effectué tous les changements nécessaires.

5.13.2. Random Delay (UK)

Obligatoire pour le Royaume-Uni, cette fonction fait démarrer les sessions de charge avec un délai aléatoire compris entre 0 et la valeur sélectionnée. La valeur par défaut est de 10 minutes et la valeur maximale autorisée est de 30 minutes.

La fonction est désactivée par défaut. Pour l'activer :

- 1) Sur la page d'accueil de **PowerUp**, sélectionnez **Country Settings**.
- 2) Activez le **délai aléatoire** et réglez le délai souhaité (minutes et secondes).
- 3) Sélectionnez **SEND** et redémarrez le Chargeur à partir de la page d'accueil pour que les changements prennent effet. Pour gagner du temps, vous pouvez redémarrer plus tard après avoir effectué tous les changements nécessaires.

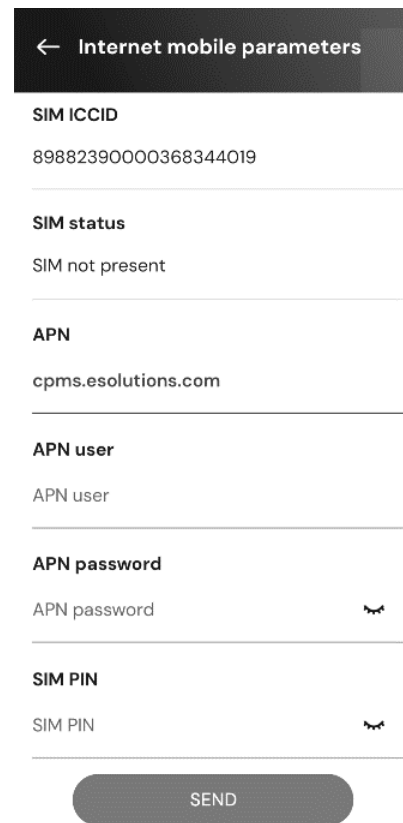
➔ Les utilisateurs peuvent activer, désactiver et ajuster le délai à partir de l'application utilisateur (voir 3.8).

5.14. Paramètres de l'Internet mobile

La page **Paramètres Internet mobile** vous permet de définir les paramètres de communication mobile requis lorsque vous disposez d'une connexion 4G LTE.

Procédure de configuration

- 1) Sur la page d'accueil de **PowerUp**, sélectionnez **Paramètres Internet mobiles**.
 - La page des **paramètres de l'Internet mobile** apparaît et affiche les informations relatives à la carte SIM.
- 2) Saisissez les informations suivantes concernant l'accès à l'Internet mobile :
 - **APN**, le nom du point d'accès fourni par votre opérateur.
L'adresse par défaut est **cpms.esolutions.com**.
 - **L'utilisateur APN** et le **mot de passe APN**, les identifiants d'accès (si nécessaire).
 - **PIN SIM**, le code de sécurité pour activer votre carte SIM (si nécessaire).
- 3) Sélectionnez **SEND** et redémarrez le Chargeur à partir de la page d'accueil pour que les changements prennent effet. Pour gagner du temps, vous pouvez redémarrer plus tard après avoir effectué tous les changements nécessaires.



← Internet mobile parameters

SIM ICCID
89882390000368344019

SIM status
SIM not present

APN
cpms.esolutions.com

APN user
APN user

APN password

APN password

SIM PIN

SIM PIN

SEND

5.15. Configuration du backend OCPP

Par défaut, le chargeur est configuré pour se connecter à un système de gestion des points de charge (CPMS). Si nécessaire, le chargeur peut se connecter à une plateforme backend tierce en utilisant le protocole OCPP 1.6 JSON. La connexion peut se faire via :

- Wi-Fi (le réglage Wi-Fi est nécessaire, voir 5.4).
- Ethernet (un réglage Ethernet est nécessaire, voir 5.5).
- 4G LTE (Internet Mobile Parameters) est nécessaire, voir 5.14).

REMARQUE : la 4G LTE n'est prise en charge que par le modèle **eProWallbox**, elle n'est pas disponible sur le modèle **eProWallbox Move**. Voir aussi 1.1.

La fonction prend en charge les connexions OCPP en texte clair ou cryptées par TLS.

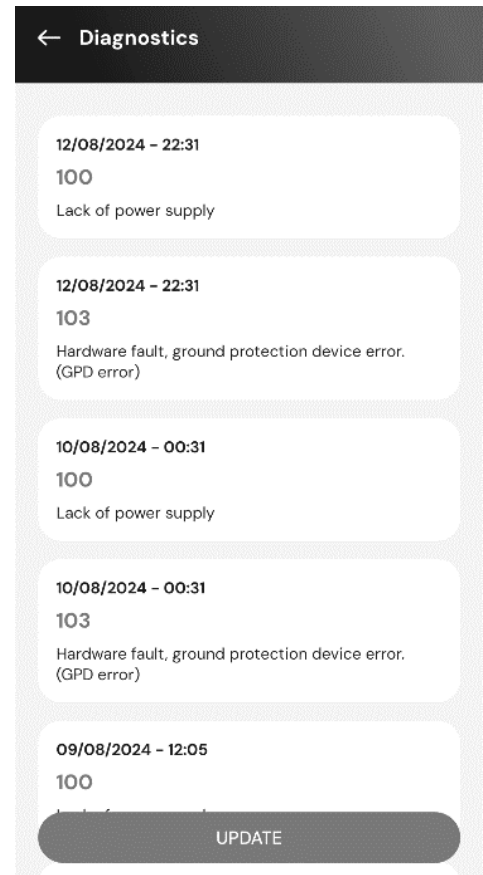
Procédure de configuration

- 1) Sur la page d'accueil de **PowerUp**, sélectionnez **Backend OCPP configuration**.
- 2) Sélectionnez dans la liste déroulante l'adresse CPMS souhaitée. Le CPMS par défaut est : **Free2move eSolutions (wss://ocpp.cpms.esolutionscharging.com/ocpp)**.
- 3) Sélectionnez **SEND** et redémarrez le Chargeur à partir de la page d'accueil pour que les changements prennent effet. Pour gagner du temps, vous pouvez redémarrer plus tard après avoir effectué tous les changements nécessaires.

5.16. Diagnostics

La page **Diagnostics** permet d'accéder à la liste des événements, anomalies et erreurs survenus sur le chargeur.

- 1) Sur la page d'accueil de **PowerUp**, sélectionnez **Diagnostics** pour afficher le journal de diagnostic.
→ La liste des événements s'affiche. Elle comprend
 - La date et l'heure de l'événement
 - Le code d'erreur à 3 chiffres
 - Brève description de l'événement
- 2) Utiliser le code d'erreur pour résoudre les problèmes (voir section 6).



6. DÉPANNAGE

Les conditions d'erreur sont enregistrées dans les journaux de diagnostic et affichées sur le panneau du chargeur :

- Sur le modèle **eProWallbox Move**, la barre LED clignote en rouge. Voir la section **Diagnostic** de PowerUP (5.16) ou l'application utilisateur pour le code d'erreur détaillé.
- Sur le modèle **eProWallbox**, l'écran affiche le code d'erreur, qui est également disponible dans la section **Diagnostic de** PowerUP (5.16).

En cas d'erreur, la charge est interrompue et la prise est déverrouillée pour vous permettre de la débrancher.

Le tableau suivant fournit une liste des erreurs qui peuvent se produire et les solutions de dépannage correspondantes. Si l'erreur persiste, notez le numéro de série sur l'étiquette du chargeur (voir 3.3) et contactez le service clientèle (voir section 9).

Code d'erreur / Problème	Description de l'erreur	Dépannage
100	Manque d'alimentation électrique	<ul style="list-style-type: none"> • Vérifier si le disjoncteur est activé. • Vérifier que le câblage CN1 est correct. • Vérifier la tension dans CN1.
101	Surchauffe	<ul style="list-style-type: none"> • Débranchez le câble de type 2, attendez que la température baisse, puis l'erreur disparaîtra. • Pour redémarrer la session de charge, rebranchez le câble. • Assurez-vous que le lieu d'installation est compatible avec la plage de température (25°C/+50°C sans exposition directe à la lumière du soleil).
102	Erreur de communication entre le MCU et le MPU.	<ul style="list-style-type: none"> • Redémarrer le chargeur à partir du disjoncteur, en laissant le chargeur éteint pendant au moins 60 secondes.
103	Erreur matérielle, erreur du dispositif de protection de la terre (erreur GPD)	<ul style="list-style-type: none"> • Vérifier le câblage sur CN1 : <ul style="list-style-type: none"> – en monophasé, s'assurer que le câble de terre est connecté à PE, le câble neutre est connecté à N et le câble de phase à T – en triphasé, s'assurer que le câble de terre est connecté à PE, que le câble neutre est connecté à N et que les câbles de phase L1, L2 et L3 sont connectés à R, S et T. • Vérifier que la différence de tension entre PE et N ne dépasse pas 10V. • Vérifier la connexion PE. • Si toutes les connexions sont vérifiées et que l'erreur persiste, ouvrez le chargeur et modifiez la configuration du connecteur du commutateur DIP (SW2), conformément à la section 4.7.
104	Erreur matérielle, erreur AC du moniteur de courant résiduel. (RCM AC trip)	<ul style="list-style-type: none"> • Essayez de démarrer une nouvelle session de charge, en retirant et en branchant tous les connecteurs. • Si le problème persiste, vérifiez la présence d'un problème au niveau du câble de charge ou de l'entrée du véhicule. • Si les câbles et le VE ne présentent aucun problème, vérifiez le connecteur CN27 et le câble RCM. Voir 3.6.
105	Erreur matérielle, erreur DC du moniteur de courant résiduel. (déclenchement DC du RCM)	<ul style="list-style-type: none"> • Vérifiez que le problème ne vient pas du câble ou du véhicule. Si possible, essayez une autre session de charge avec un câble ou un véhicule différent.
106	Erreur interne du compteur	<ul style="list-style-type: none"> • Redémarrer le chargeur à partir du disjoncteur, en laissant le chargeur éteint pendant au moins 60 secondes.
107	Erreur de communication du PowerMeter (DPM)	<ul style="list-style-type: none"> • Vérifiez que la configuration de la communication sur le dispositif PowerMeter (DPM) est correcte. Voir 5.2. • Vérifiez que la configuration du modèle DPM dans l'application d'installation est correcte. Voir 5.11. • Vérifier le câblage du câble de communication sur CN12. Voir 4.9. • Vérifier que le câble de communication utilisé est adapté au Modbus RS485 et à la longueur du câble. Voir 4.9.

Code d'erreur / Problème	Description de l'erreur	Dépannage
108	Erreur de configuration, la position du commutateur rotatif (type d'alimentation) ne correspond pas au type de DPM/ MID	<ul style="list-style-type: none"> • Vérifiez la position du Rotary Switch. Si elle ne correspond pas à l'installation 1-ph/3-ph, modifiez-la selon le tableau du manuel, puis redémarrez le chargeur. • Si les accessoires (DPM/MID) ne sont pas installés, assurez-vous que la fonction est désactivée dans l'application d'installation. Voir 5.11 et 5.11.2. • Si les accessoires (DPM/MID) sont installés, vérifiez que le modèle correct est sélectionné sur l'application d'installation (voir 5.11 et 5.11.2). Ensuite, redémarrez le chargeur.
109	Erreur de communication RS485 principal/satellite	<ul style="list-style-type: none"> • Vérifiez la configuration du réseau M/S établi à partir de l'application d'installation. • Vérifiez que le chargeur principal est disponible. • Vérifier que le câblage du câble de communication sur CN9 et CN10 est correct. Voir 4.9.4. • Vérifier que le câble de communication utilisé est adapté au Modbus RS485.
110	Erreur de communication MIDcounter	<ul style="list-style-type: none"> • Vérifiez que la configuration de la communication sur l'appareil MIDcounter est correcte. Voir 5.2. • Vérifier le câblage du câble de communication sur CN12. Voir 4.9. • Vérifier que le câble de communication utilisé est adapté au Modbus RS485. • Vérifiez que la configuration du modèle MID dans l'application d'installation est correcte. Voir 5.11.2.
112	Erreur de configuration du relais	<ul style="list-style-type: none"> • Contacter le service clientèle
113	Lecteur RFID déconnecté	<ul style="list-style-type: none"> • Vérifier la connexion du câble entre le lecteur RFID (voir section 3.6 - numéro 9) et le connecteur CN11 de la carte mère. Redémarrer ensuite le chargeur.
114		
115	Carte 4G/LTE déconnectée	<ul style="list-style-type: none"> • Vérifier la bonne connexion entre la carte 4G/LTE (voir section 3.6 - numéro 4) et le connecteur CN8 sur la carte principale. Redémarrez ensuite le chargeur.
116	Écran déconnecté	<ul style="list-style-type: none"> • Vérifier la bonne connexion entre la carte 4G/LTE (voir section 3.6 - numéro 4) et le connecteur CN8 sur la carte principale. Redémarrez ensuite le chargeur.
118	Défaillance de la carte Wi-Fi	<ul style="list-style-type: none"> • Contacter le service clientèle
119	Défaillance de la carte BLE	<ul style="list-style-type: none"> • Contacter le service clientèle
300	Incohérence entre la commande du contacteur du chargeur et le retour d'information.	<ul style="list-style-type: none"> • Redémarrer le chargeur à partir du disjoncteur, en laissant le chargeur éteint pendant au moins 60 secondes. • Si l'erreur persiste après le redémarrage, appelez le service clientèle.
301	Court-circuit détecté sur la ligne Control Pilot.	<ul style="list-style-type: none"> • Chargeur éteint, vérifiez qu'il n'y a pas de dommages ni de défauts à l'intérieur et à l'extérieur de la prise (si c'est le cas, n'utilisez pas le chargeur et contactez le service clientèle (voir section 9). • Vérifiez que le problème n'est pas lié au câble ou au véhicule et essayez une autre session de charge (avec un autre véhicule ou un autre câble si possible).
302	État E ou F défini sur la ligne Control Pilot.	<ul style="list-style-type: none"> • Le chargeur étant éteint, vérifiez qu'il n'y a pas de dommages ni de défauts à l'intérieur et à l'extérieur du câble et de ses connecteurs (si c'est le cas, évitez de l'utiliser et essayez de le charger avec un autre câble). • Vérifiez que les connecteurs des câbles sont entièrement insérés dans la prise du chargeur et dans l'entrée du véhicule. • Vérifiez que le problème n'est pas lié au câble ou au véhicule et essayez une autre session de charge (avec un autre véhicule ou un autre câble si possible).
303	Pilote de contrôle déconnecté.	
304	Proximity Pilot déconnecté.	
305	Pilote de proximité cassé détecté.	
306	Défaut de diode détecté sur la ligne Control Pilot (pas de -12V).	<ul style="list-style-type: none"> • Tentez une nouvelle session de charge en débranchant et en réinsérant le câble à la fois du chargeur et de l'entrée du véhicule.
307	Pilote de contrôle déconnecté.	<ul style="list-style-type: none"> • Le chargeur étant éteint, vérifiez qu'il n'y a pas de dommages ni de défauts à l'intérieur et à l'extérieur du câble et de ses connecteurs (si c'est le cas, évitez de l'utiliser et essayez de le charger avec un autre câble). • Vérifiez que les connecteurs des câbles sont entièrement insérés dans la prise du chargeur et dans l'entrée du véhicule. • Vérifiez que le problème n'est pas lié au câble ou au véhicule et essayez une autre session de charge (avec un autre véhicule ou un autre câble si possible).

Code d'erreur / Problème	Description de l'erreur	Dépannage
308	Incohérence entre la commande du moteur et le retour d'information, ou le moteur est en état d'erreur.	<ul style="list-style-type: none"> Tentez une nouvelle session de charge en débranchant et en réinsérant le câble à la fois du chargeur et de l'entrée du véhicule. Vérifiez que les connecteurs des câbles sont entièrement insérés dans la prise du chargeur et dans l'entrée du véhicule.
309	309 Erreur de vérification du moteur pendant la phase d'initialisation de l'EVSE.	<ul style="list-style-type: none"> Redémarrer le chargeur à partir du disjoncteur, en laissant le chargeur éteint pendant au moins 60 secondes.
310	Erreur détectée avant la charge (PP non détecté, ou défaut moteur, ou CP non détecté).	<ul style="list-style-type: none"> Le chargeur étant éteint, vérifiez qu'il n'y a pas de dommages ni de défauts à l'intérieur et à l'extérieur du câble et de ses connecteurs (si c'est le cas, évitez de l'utiliser et essayez de le charger avec un autre câble). Vérifiez que les connecteurs des câbles sont entièrement insérés dans la prise du chargeur et dans l'entrée du véhicule.
311	Erreur détectée après la charge (défaut du moteur ou CP non déconnecté).	
312	Arrêt d'urgence reçu du MPU.	
313	Courant détecté pendant la charge, avec un rapport cyclique de 100 % sur la ligne Control Pilot.	<ul style="list-style-type: none"> Vérifiez que le problème n'est pas lié au câble ou au véhicule, essayez une nouvelle session de charge avec un autre câble et/ou un autre chargeur.
315	Dépassement des limites de courant sur la phase L1	<ul style="list-style-type: none"> Débranchez le câble, diminuez si possible la puissance de charge du côté du véhicule et tentez une nouvelle session de charge. Si possible, rechargez avec un autre véhicule. Si l'alarme n'apparaît pas, le problème peut venir du véhicule. Contactez votre concessionnaire.
316	Dépassement des limites de courant sur la phase L2	
317	Dépassement des limites de courant sur la phase L3	
318	Tension inférieure à un seuil sur la phase L1	<ul style="list-style-type: none"> Vérifier que la position du commutateur rotatif est conforme à une installation monophasée/3phasée. Voir 4.6. Vérifier que la tension sur CN1-T est supérieure à 196 V. Si la tension est inférieure à 196 V, vérifiez le système électrique ou contactez le fournisseur d'énergie.
319	Tension inférieure à un seuil sur la phase L2	<ul style="list-style-type: none"> Le commutateur rotatif est en position triphasée. Vérifier que l'installation prévue est triphasée. Si ce n'est pas le cas, sélectionnez la position correcte du commutateur rotatif conformément au manuel d'installation. Vérifier que la tension sur CN1-S est supérieure à 196 V. Si la tension est inférieure à 196 V, vérifiez le système électrique ou contactez le fournisseur d'énergie.
320	Tension inférieure à un seuil sur la phase L3	
321	Erreur de communication entre le chargeur et le véhicule	<ul style="list-style-type: none"> Mettre à jour le micrologiciel du chargeur (version FW 3.10.0 ou supérieure). Si l'erreur persiste, contactez le constructeur du véhicule (le VE ne répond pas aux normes IEC 61851-1 pour le démarrage d'une session de charge).
	L'affichage/la LED est bloqué(e) en mode Welcome (la LED clignote en rouge-vert-bleu).	<ul style="list-style-type: none"> Redémarrer le chargeur à partir du disjoncteur, en laissant le chargeur éteint pendant au moins 60 secondes.
	La LED ou l'écran ne s'allume pas au démarrage	
	Le Chargeur ne démarre pas	<ul style="list-style-type: none"> Laissez l'appareil redémarrer, cela peut prendre jusqu'à 30 secondes. Vérifier si le disjoncteur est activé. Vérifier que le câblage CN1 est correct. Vérifier la tension dans CN1. Redémarrer le chargeur à partir du disjoncteur, en laissant le chargeur éteint pendant au moins 60 secondes.

Code d'erreur / Problème	Description de l'erreur	Dépannage
	Câble coincé dans la prise du chargeur	<ul style="list-style-type: none"> • Mettez le chargeur hors tension à partir du disjoncteur, puis retirez le câble.
	Chargement suspendu avec LED verte fixe/message sur l'écran. La session de charge est suspendue par le DPM ou le VE. La session peut reprendre.	<ul style="list-style-type: none"> • Vérifiez que la puissance maximale dans la section de limite de puissance du DPM de l'App installateur est cohérente avec la valeur de puissance contractuelle en kW indiquée dans le contrat d'électricité de l'utilisateur. Si la valeur est correcte, attendez que la session de charge reprenne ou éteignez certaines charges domestiques. • Dans le cas d'une installation triphasée, vérifiez que les charges électriques sont bien équilibrées sur les phases du système domestique.
	L'appairage ne s'effectue pas après le scan QR.	<ul style="list-style-type: none"> • Vérifier l'intégrité du code QR sur l'étiquette. • Mettre à jour l'application à la dernière version. • Fermez et redémarrez l'application, puis réessayez. • Redémarrer le chargeur à partir du disjoncteur, en laissant le chargeur éteint pendant au moins 60 secondes.

7. NETTOYAGE

Il est recommandé de nettoyer l'extérieur du chargeur chaque fois que cela est nécessaire, en utilisant un chiffon doux et humide avec un détergent doux. Une fois le nettoyage terminé, essuyez toute trace d'humidité ou de liquide à l'aide d'un chiffon doux et sec.



ATTENTION

Évitez les jets d'air ou d'eau puissants et utilisez des détergents dont le PH est compris entre 7 et 9. Évitez d'utiliser des nettoyeurs très acides (pH < 6) ou très alcalins (pH > 10), car ils risquent d'endommager le plastique ou de le décolorer avec le temps.

8. ÉLIMINATION

8.1. Élimination des emballages

Éliminez l'emballage en respectant l'environnement. Les matériaux d'emballage sont recyclables et doivent être éliminés conformément aux réglementations locales.

Suivre les instructions d'élimination figurant sur les matériaux d'emballage :



Cardboard



Paper



Plastic

8.2. Élimination des produits

Le chargeur contient des composants électroniques, des fils et des matériaux qui ne doivent pas être jetés dans une poubelle ordinaire. Au lieu de cela, vous devez déposer l'appareil dans un centre de recyclage équipé pour traiter et recycler les déchets électroniques (DEEE).

L'élimination des déchets électroniques, y compris les chargeurs de VE, est souvent soumise à des réglementations locales que vous devez respecter pour éviter les problèmes juridiques et les atteintes à l'environnement.

9. ASSISTANCE

Si vous avez des questions sur l'utilisation du produit, si vous avez besoin d'informations supplémentaires ou si vous avez des demandes d'assistance, contactez le service clientèle :

https://www.esolutions.free2move.com/eu/en_it/contact-us/

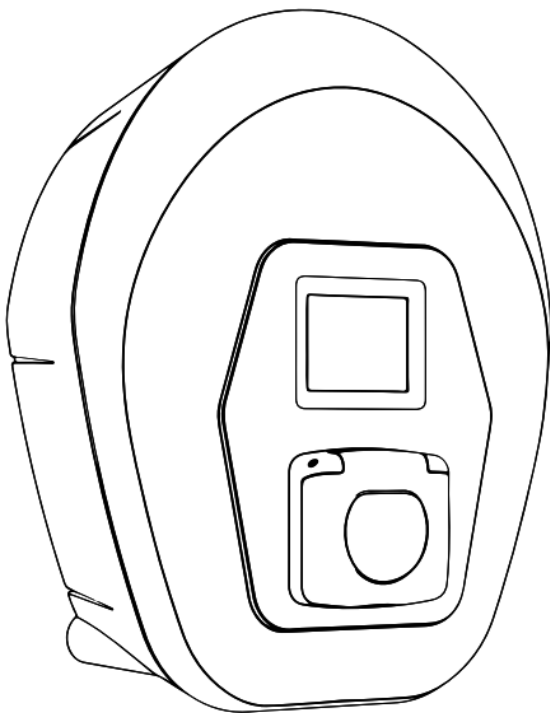
Lorsque vous contactez le service clientèle, veuillez disposer des informations suivantes :

- Nom du modèle (voir 1.1)
- Numéro de série (voir 3.3)
- Nom de l'installateur et informations sur la facture d'achat.

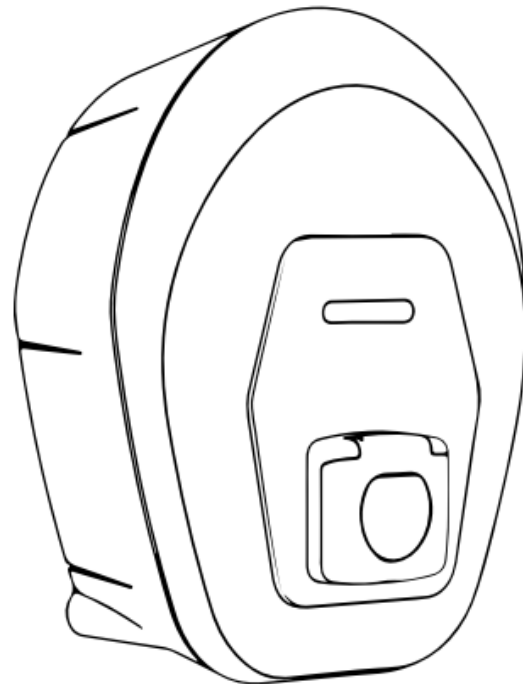


INSTALLATIONSHANDBUCH

DE



 ProWallbox



 ProWallbox Move



Für einen sicheren und ordnungsgemäßen Gebrauch befolgen Sie diese Anweisungen. Bewahren Sie sie zum späteren Nachschlagen auf.

Firmware V3.xx
Rev.06 - 03/2025
PKM.000019

INDEX

1.	ÜBER DIESES DOKUMENT	5
1.1.	Zweck dieses Handbuchs	5
1.2.	Zielpublikum.....	5
1.3.	Geschichte der Revision	5
1.4.	Zusätzliche Dokumentation	5
1.5.	Identifizierung des Herstellers.....	5
1.6.	Garantie- und Lieferbedingungen, Haftungsausschluß.....	6
1.6.1.	Erklärung des Herstellers über Isolationswiderstandsprüfungen	6
1.7.	Haftungsausschluss für die Richtigkeit des Inhalts.....	7
1.8.	Glossar	8
2.	SICHERHEIT	9
2.1.	Produktsicherheit.....	9
2.2.	Erforderliche Qualifikationen für den Installateur	9
2.3.	Wichtige Sicherheitshinweise.....	10
2.4.	Sicherheitshinweise	11
2.4.1.	Symbole und Definitionen	12
2.5.	Persönliche Schutzausrüstung (PSA).....	13
3.	ALLGEMEINE INFORMATIONEN	14
3.1.	eProWallbox und eProWallbox Move.....	14
3.2.	Einsatzgebiete	14
3.3.	Kennzeichnungsetikett	15
3.4.	Abmessungen und Merkmale des Produkts	16
3.5.	Technische Daten.....	17
3.6.	Mainboard-Layout	18
3.7.	Schaltplan für den Anschluss.....	19
3.8.	Apps	20
3.8.1.	Installateur-App.....	20
3.8.2.	Benutzer-App.....	20
4.	EINRICHTUNG	21
4.1.	Arbeitsablauf bei der Installation	21
4.2.	Installationsanforderungen s.....	22
4.2.1.	Informieren Sie sich über die Sicherheitskriterien	22
4.2.2.	Prüfen Sie die Kompatibilität des Aufstellungsortes	23
4.2.3.	Überprüfen Sie die Leistung der Stromversorgung	24
4.2.4.	Überprüfung des M/S Chargers Network Anforderungen	25
4.2.5.	Überprüfen Sie die Produktverpackung	25

4.2.6.	Besorgen Sie die erforderlichen Werkzeuge	26
4.3.	Externer elektrischer Schutz	27
4.4.	Befestigung des Ladegeräts an der Wand	28
4.5.	Anschluss des Netzteils an das Ladegerät	30
4.5.1.	Einphasige Installation.....	32
4.5.2.	Dreiphasige Installation.....	33
4.6.	Einstellung der maximalen Leistung am Rotary Switch SW1	34
4.7.	Einstellung des DIP-Schalters h SW2	35
4.8.	Installation von PowerMeter (DPM) und MIDcounter.....	36
4.8.1.	Installation von PowerMeter (DPM).....	37
4.8.2.	Installation von MIDcounter	41
4.8.3.	Kombinierte Installation von PowerMeter (DPM) und MIDcounter	43
4.9.	Modbus RS485 Kommunikationsverbindungen	44
4.9.1.	Anschluss von PowerMeter (DPM).....	45
4.9.2.	Anschluss des MID Zählers	48
4.9.3.	Anschluss von PowerMeter (DPM) und MID Zähler	50
4.9.4.	Anschluss von Ladegeräten an das M/S Chargers Netzwerk	53
4.10.	Ethernet-Verbindung	54
4.11.	Systemprüfung, Schließen und Einschalten	55
4.11.1.	eProWallbox Bildschirme	56
4.11.2.	eProWallbox Move LED-Leiste.....	60
5.	INBETRIEBNAHME	61
5.1.	Arbeitsablauf bei der Inbetriebnahme.....	61
5.2.	Konfiguration von PowerMeter (DPM) und MID-Zähler	62
5.2.1.	Finder-Modelle konfigurieren.....	62
5.2.2.	Konfigurieren der Gavazzi-Modelle	63
5.2.3.	Zusammenfassung der Konfiguration des Energiezählers	64
5.3.	Starten von PowerUp.....	65
5.4.	Wi-Fi-Einstellungen.....	66
5.5.	Ethernet-Einstellungen	67
5.6.	Status	68
5.7.	Parameter des Ladegeräts	68
5.8.	Firmware-Version anzeigen und aktualisieren	68
5.9.	Betriebsart.....	69
5.10.	Maximale Leistung beim Aufladen	70
5.11.	Energieverwaltung	70
5.11.1.	Dynamic Power Management	71
5.11.2.	Main/Satellite	72
5.11.3.	Einstellungen des Hausenergiemanagementsystems (ModBus-Server).....	73
5.11.4.	Modbus TCP/IP	73

5.12.	MIDcounter.....	74
5.13.	Länderspezifische Einstellungen	75
5.13.1.	Ungleichgewicht der Last (AT, CH, DE, NL).....	75
5.13.2.	Zufällige Verzögerung (UK)	75
5.14.	Mobile Internet-Parameter	76
5.15.	Backend OCPP-Konfiguration	76
5.16.	Diagnostik.....	77
6.	FEHLERSUCHE	78
7.	REINIGUNG	82
8.	ENTSORGUNG	83
8.1.	Entsorgung von Verpackungen.....	83
8.2.	Produktentsorgung.....	83
9.	UNTERSTÜTZUNG	84

1. ÜBER DIESES DOKUMENT

1.1. Zweck dieses Handbuchs

Dieses Installationshandbuch ist ein Leitfaden für sicheres Arbeiten und die Installation der folgenden Ladegeräte-Modelle:

eProWallbox Move (F2ME.EPROSEYYXXX)

Intelligente AC-Ladestation bis zu 22 kW, erhältlich in einphasiger und dreiphasiger Ausführung. Mit LED-Schnittstelle.

eProWallbox (F2ME.EPROSCYYXXX)

Intelligente AC-Ladestation mit bis zu 22 kW, erhältlich in einphasiger und dreiphasiger Ausführung. Mit Display-Schnittstelle, Charging Pass (RFID)-Leser und voller Konnektivität über 4G/LTE.

1.2. Zielpublikum

Dieses Dokument ist für den Gebrauch durch einen qualifizierten Elektroinstallateur bestimmt. Siehe 2.2 für die Qualifikationen, die für die Installation des Ladegeräts erforderlich sind.

1.3. Geschichte der Revision

Revision	Datum	Beschreibung
04	01/2023	Entspricht der Firmware-Version 2.9.x
05	10/2024	Entspricht der Firmware-Version 3.xx
06	04/2025	Entspricht der Firmware-Version 3.xx

➔ Um die Firmware-Version zu überprüfen und zu aktualisieren, siehe 5.8.

1.4. Zusätzliche Dokumentation

Zusätzlich zu diesem Handbuch kann unsere Produktdokumentation auf unserer Website eingesehen und heruntergeladen werden:

https://www.esolutions.free2move.com/eu/en_gb/information-hub/

eSolutions Video-Ressourcen

<https://www.youtube.com/@free2moveesolutions6/videos>

1.5. Identifizierung des Herstellers

Der Hersteller des Ladegerätes ist:

Free2move eSolutions S.p.A.

Piazzale Lodi, 3

20137 Mailand - Italien

www.esolutions.free2move.com

1.6. Garantie- und Lieferbedingungen, Haftungsausschluß

Die Einzelheiten der Garantie sind in den Verkaufsbedingungen beschrieben, die der Bestellung für dieses Produkt beiliegen und/oder in der Verpackung des Produkts enthalten sind.

Free2move eSolutions S.p.A. übernimmt keine Verantwortung für die Nichteinhaltung der Anweisungen für eine ordnungsgemäße Installation und kann nicht für Systeme verantwortlich gemacht werden, die dem gelieferten Gerät vor- oder nachgeschaltet sind.

Free2move eSolutions S.p.A. kann nicht für Defekte oder Fehlfunktionen verantwortlich gemacht werden, die auf folgende Ursachen zurückzuführen sind: unsachgemäße Verwendung des Ladegeräts, Beeinträchtigung durch Transport- oder Umweltbedingungen oder Installation durch nicht qualifizierte Personen.

HINWEIS

Jegliche Modifikation, Manipulation oder Veränderung der Hard- oder Software, die nicht ausdrücklich mit dem Hersteller vereinbart wurde, führt zum sofortigen Erlöschen der Garantie.

1.6.1. Erklärung des Herstellers über Isolationswiderstandsprüfungen

Wir erklären hiermit nach bestem Wissen und Gewissen, dass die Produkte eProWallbox und eProWallbox Move, nachfolgend "unsere Produkte" genannt, **Überspannungsschutzvorrichtungen und andere Stromkreise enthalten, die durch die in IEC 60364-6 Abschnitt 6.4.3.3 beschriebene Prüfung des Isolationswiderstands beschädigt werden können.**

Gemäß den nationalen Vorschriften verschiedener Länder (z.B. Art. 86 del D. Lgs. 81/08 in Italien) kann es erforderlich sein, die elektrische Installation regelmäßig zu überprüfen, indem eine Reihe von Tests, einschließlich Isolationswiderstandstests, durchgeführt werden. **Während der Prüfungen müssen unsere Produkte vor der Durchführung der Isolationswiderstandsprüfung abgetrennt werden**, wie in der IEC 60364-6 Klausel 6.4.3.3 und den daraus abgeleiteten nationalen Vorschriften (zum Beispiel CEI 64-8 Klausel 6.4.3.3 in Italien) erwähnt.

Wir informieren Sie darüber hinaus, dass:

- Unsere Produkte wurden gemäß IEC 61851-1:2017 bewertet und entsprechen somit vollständig den Anforderungen.
- IEC 61851-1:2017 enthält in Abschnitt 12.5 eine Prüfung des Isolationswiderstands.
- Unsere Produkte werden während des Herstellungsprozesses routinemäßig einer Isolationswiderstandsprüfung gemäß IEC 61439-1: 2020 Abschnitt 11.9 unterzogen.

Haftungsausschluss

Free2move eSolutions S.p.A. kann nicht für eventuelle Isolationsfehler in den Stromkreisen, die unsere Produkte versorgen, verantwortlich gemacht werden.

Free2move eSolutions S.p.A. kann nicht für Schäden an unseren Produkten verantwortlich gemacht werden, die im Feld einem Isolationswiderstandstest unterzogen werden.

1.7. Haftungsausschluss für die Richtigkeit des Inhalts

Dieses Dokument wurde vom Hersteller Free2move eSolutions S.p.A. sorgfältig geprüft, dennoch können Versehen nicht vollständig ausgeschlossen werden. Sollten Sie Fehler feststellen, informieren Sie bitte Free2move eSolutions S.p.A. (siehe Abschnitt 9).

Mit Ausnahme ausdrücklicher vertraglicher Verpflichtungen kann Free2move eSolutions S.p.A. unter keinen Umständen für Verluste oder Schäden haftbar gemacht werden, die sich aus der Verwendung dieses Handbuchs oder der Installation des Geräts ergeben.

Free2move eSolutions S.p.A. haftet nicht für direkte oder indirekte Schäden an Personen, Sachen oder Tieren, die durch die Nichtbeachtung aller in diesem Handbuch aufgeführten Bestimmungen und der Warnhinweise zur Installation und Wartung des Ladegeräts entstehen.

Free2move eSolutions S.p.A. behält sich alle Rechte an diesem Dokument, dem Artikel und den darin enthaltenen Abbildungen vor. Die Vervielfältigung, ganz oder teilweise, die Weitergabe an Dritte oder die Nutzung seines Inhalts ist ohne vorherige schriftliche Zustimmung von Free2move eSolutions S.p.A. verboten.

Alle Informationen in diesem Handbuch können ohne vorherige Ankündigung geändert werden und stellen keine Verpflichtung seitens des Herstellers dar. Die Bilder in diesem Handbuch dienen nur zur Veranschaulichung und können vom gelieferten Produkt abweichen.

Dieses Dokument wurde ursprünglich in englischer Sprache verfasst. Im Falle von Unstimmigkeiten oder Zweifeln fordern Sie bitte das Originaldokument bei Free2move eSolutions S.p.A. an.

1.8. Glossar

Begriff	Beschreibung
CIDR-Notation	Die CIDR-Notation besteht aus einer IP-Adresse (siehe IPv4), gefolgt von einem Schrägstrich (/) und der Anzahl der Bits der Subnetzmaske. Zum Beispiel bedeutet 192.168.1.1/24 die Adresse 192.168.1.1 und die Subnetzmaske 255.255.255.0.
CP	Steuerpilot: Pilot für die Signalisierung vor dem Einstecken von EV-Steckern des Typs 2.
CPMS	Ladesäulen-Management-System: Ein Managementsystem, das ein fortschrittliches Energiemanagement und verbesserte Sicherheit unterstützt.
DHCP	Dynamisches Host-Konfigurationsprotokoll: Ein Netzwerkverwaltungsprotokoll, das zur automatischen Zuweisung von IP-Adressen an Geräte in einem Netzwerk verwendet wird.
DNS	Domänennamensystem: Ein von einem DNS-Server verwaltetes System, das für Menschen lesbare Domänennamen in IP-Adressen übersetzt.
DPM	Dynamic Power Management
EMS	Energiemanagementsystem: Ein System, das Dienste zur Energieoptimierung anbietet. Das EMS ist über Modbus RS485 oder Ethernet TCP/IP mit dem Ladegerät verbunden.
EV	Elektrofahrzeug
IP	Internet-Protokoll: Das primäre Protokoll, das verwendet wird, um Datenpakete über das Internet zu übertragen. Siehe auch IPv4.
IPv4	IPv4 basiert auf einer 32-Bit-Kennung, die jedem vernetzten Gerät zugewiesen wird. IPv4-Adressen werden in der Regel in punktierter Dezimalschreibweise geschrieben, die aus vier durch Punkte getrennten Zahlen besteht (z. B. 192.168.1.1).
M/S	Haupt/Satellit
Modbus	Ein beliebtes Kommunikationsprotokoll, das für den industriellen Einsatz entwickelt wurde, um die Kommunikation zwischen elektronischen Geräten zu ermöglichen.
OCPP	OCPP (Open Charge Point Protocol): Ein offener Standard, der die Kommunikation und Interoperabilität zwischen EV-Ladestationen und Managementsystemen (siehe CPMS) ermöglicht.
PP	Proximity Pilot: Pilot für die Signalisierung nach dem Einstecken von EV-Steckern des Typs 2.
PV	Fotovoltaik
PSA	Persönliche Schutzausrüstung
RCM	Fehlerstrom-Monitor
RS485	Gängige Norm, die die elektrischen Eigenschaften von Treibern und Empfängern zur Verwendung in seriellen Mehrpunkt-Kommunikationssystemen definiert.
SOM	System-On-Modul: Das Plug-in-Modul, das die wichtigsten Datenverarbeitungskomponenten enthält
TCP/IP	Transmission Control Protocol/Internet Protocol: Eine Reihe von Kommunikationsprotokollen, die zur Verbindung von Netzwerkgeräten im Internet verwendet werden, wobei TCP für die zuverlässige Übertragung und IP für die Adressierung und das Routing (siehe IP) sorgt.
WEEE	Abfälle aus elektrischen und elektronischen Geräten

2. SICHERHEIT

2.1. Produktsicherheit

Dieses Handbuch enthält wichtige Sicherheitshinweise, die bei der Installation und Wartung des Produkts beachtet werden müssen. Bitte bewahren Sie dieses Handbuch während der gesamten Lebensdauer des Produkts als Referenz auf, da es wichtige Informationen für eine sichere und effektive Nutzung enthält.

Beachten Sie, dass der Schutz des Ladegeräts beeinträchtigt werden kann, wenn es auf eine Weise verwendet wird, die nicht in diesem Handbuch beschrieben ist.

Die Installation muss von qualifiziertem Personal durchgeführt werden (siehe 2.2). Es muss ein eigenes, dem Stand der Technik entsprechendes Stromversorgungssystem geplant und installiert werden, das gemäß den örtlichen Vorschriften und dem Energieliefervertrag zertifiziert sein muss.

Als Installations- und Wartungstechniker sind Sie verpflichtet, dieses Handbuch zu lesen, vollständig zu verstehen und die darin enthaltenen Anweisungen genau zu befolgen. Free2move eSolutions S.p.A. kann nicht für Personen- und/oder Sachschäden oder Schäden am Ladegerät haftbar gemacht werden, wenn die in diesem Dokument beschriebenen Bedingungen nicht eingehalten werden.



WARNUNG

Die Installation muss in Übereinstimmung mit den im Installationsland geltenden Vorschriften und unter Beachtung aller Sicherheitsvorschriften für die Ausführung von Elektroarbeiten durchgeführt werden.

2.2. Erforderliche Qualifikationen für den Installateur

Der Installateur muss qualifiziert sein, d. h. er muss eine entsprechende Ausbildung erhalten und die erforderlichen Fähigkeiten und Kenntnisse für die Installation, den Betrieb und die Wartung von Stromversorgungsanlagen für Elektrofahrzeuge gemäß allen geltenden Vorschriften nachweisen.

Qualifizierte Installateure können drohende und potenzielle Gefahrensituationen erkennen und sicher handeln.

Für die Ethernet-TCP/IP-Konfiguration sind Grundkenntnisse über IP-Netzwerke erforderlich.

2.3. Wichtige Sicherheitshinweise

Für Ihre Sicherheit und die Sicherheit anderer ist es wichtig, dass Sie die folgenden Sicherheitshinweise lesen und verstehen, bevor Sie das Ladegerät installieren und benutzen.



GEFAHR

Gefahr von Stromschlag und Brand. Die Installation muss in Übereinstimmung mit den im Installationsland geltenden Vorschriften und unter Einhaltung aller Sicherheitsvorschriften für die Ausführung von Elektroarbeiten durchgeführt werden.

- Vergewissern Sie sich vor der Installation oder Verwendung des Ladegeräts, dass keine der Komponenten beschädigt ist. Beschädigte Bauteile können zu Stromschlägen, Kurzschlüssen und Bränden aufgrund von Überhitzung führen. Ein Gerät mit Schäden oder Mängeln darf nicht verwendet werden.
- Stellen Sie das Ladegerät nicht in der Nähe von Benzinkanistern oder anderen brennbaren Stoffen auf.
- Vergewissern Sie sich vor der Installation des Ladegeräts, dass die Hauptstromquelle unterbrochen wurde.
- Das Ladegerät muss an ein Stromnetz angeschlossen werden, das den lokalen und internationalen Normen und allen in diesem Handbuch angegebenen technischen Anforderungen entspricht.
- Kinder oder andere Personen, die nicht in der Lage sind, die mit der Installation und Verwendung des Ladegeräts verbundenen Risiken einzuschätzen, könnten schwere Verletzungen erleiden oder ihr Leben gefährden.
- Haustiere oder andere Tiere müssen von dem Gerät und dem Verpackungsmaterial ferngehalten werden.
- Kinder dürfen nicht mit dem Ladegerät, dem Zubehör oder der Verpackung spielen, die dem Produkt beiliegen.
- Die einzigen Teile, die vom Ladegerät entfernt werden können, sind der Außenrahmen und die abnehmbare Abdeckung.
- Das Ladegerät kann nur mit einer Energiequelle verwendet werden.
- Es müssen die notwendigen Vorsichtsmaßnahmen getroffen werden, um einen sicheren Betrieb mit aktiven implantierbaren medizinischen Geräten zu gewährleisten. Wenden Sie sich bitte an den Hersteller, um festzustellen, ob der Ladevorgang das Medizinprodukt beeinträchtigen könnte.

2.4. Sicherheitshinweise

Um die Sicherheit zu gewährleisten und Schäden zu vermeiden, enthält dieses Handbuch mehrere Vorsichtstexte mit spezifischen Anweisungen. Diese Anweisungen sind in speziellen Textfeldern hervorgehoben und mit einem allgemeinen Gefahrensymbol versehen (mit Ausnahme von ACHTUNG und HINWEIS, die nicht mit spezifischen Gefahrensituationen verbunden sind). Diese Sicherheitstexte dienen dazu, die Sicherheit des Personals bei der Durchführung der beschriebenen Vorgänge zu gewährleisten und Schäden am Ladegerät und/oder am Eigentum zu vermeiden.



GEFAHR

Die Nichtbeachtung dieser Anweisung führt zu einer unmittelbar drohenden Gefahrensituation, die, wenn sie nicht vermieden wird, den sofortigen Tod oder schwere oder dauerhafte Verletzungen zur Folge hat.



WARNUNG

Die Nichtbeachtung dieser Anweisung führt zu einer potenziell gefährlichen Situation, die, wenn sie nicht vermieden wird, zum Tod oder zu schweren Verletzungen führen kann.



VORSICHT

Die Nichtbeachtung des Warnhinweises führt zu einer potenziell gefährlichen Situation, die, wenn sie nicht vermieden wird, zu leichten Schäden am Ladegerät führen kann.

HINWEIS

Enthält Anweisungen für die Anwendung von Verhaltensweisen, die für die Abwicklung von Vorgängen erforderlich sind, die nicht mit möglichen Körperverletzungen verbunden sind.

HINWEIS: Enthält zusätzliche Informationen zur Ergänzung der angegebenen Anweisungen.

2.4.1. Symbole und Definitionen



Allgemeine Warnung



Sie müssen das Originalhandbuch und die zusätzliche Dokumentation einsehen



Verbote oder Einschränkungen



Obwohl sie nicht aus gesundheitsschädlichen Materialien bestehen, dürfen die Produkte nicht mit dem Hausmüll entsorgt werden, sondern müssen getrennt gesammelt werden, da sie aus wiederverwertbaren Materialien bestehen



Gefahr durch elektrische Spannung





Gefahr durch heiße Oberflächen

2.5. Persönliche Schutzausrüstung (PSA)

Persönliche Schutzausrüstungen (PSA) sind Ausrüstungen, die von Arbeitnehmern getragen werden, um sie vor einer oder mehreren Gefahren zu schützen, die ihre Gesundheit oder Sicherheit bei der Arbeit gefährden können. Sie umfasst jedes Gerät oder Zubehör, das für diesen Zweck bestimmt ist.

Da alle in diesem Handbuch aufgeführten PSA dazu dienen, das Personal vor Gesundheits- und Sicherheitsrisiken zu schützen, empfehlen wir die strikte Einhaltung der in den verschiedenen Abschnitten dieses Handbuchs enthaltenen Anweisungen.

Nachfolgend finden Sie eine Liste von PSA, die Sie vor den Restrisiken schützen sollen, die mit den in diesem Dokument beschriebenen Installations- und Wartungsarbeiten verbunden sind.

Symbol	Bedeutung
	Schutzhandschuhe tragen
	Tragen Sie antistatisches Schuhwerk



WARNUNG

Als Installations- und Wartungstechniker sind Sie dafür verantwortlich, die örtlichen Vorschriften zu lesen und zu verstehen und die Umgebungsbedingungen am Installationsort zu beurteilen, um festzustellen, ob zusätzliche PSA erforderlich ist.

3. ALLGEMEINE INFORMATIONEN

3.1. eProWallbox und eProWallbox Move

eProWallbox und **eProWallbox Move** sind AC-Ladegeräte für Elektro- und Hybridfahrzeuge mit Plug-Ins, ideal für halböffentliche und private Anwendungen. Sie sind in Dreiphasen- oder Einphasenkonfigurationen erhältlich und mit einer Typ-2-Steckdose ausgestattet.

Sie können Elektrofahrzeuge bis zu 22 kW dreiphasig oder bis zu 7,4 kW einphasig laden.

Sie bieten Anschlussmöglichkeiten wie die Fernüberwachung über das Charge Point Management System (CPMS). Das Modell **eProWallbox** (siehe 1.1) ist mit einer SIM-Karte für die Verbindung mit dem Mobilfunknetz und einem RFID-Kartenlesegerät zur Autorisierung des Ladevorgangs ausgestattet.

Mehrere Ladegeräte können sich denselben Stromanschlusspunkt teilen und die Last über ein RS485-basiertes Main/Satellite (M/S) Chargers Network dynamisch ausgleichen.

In diesem Dokument wird beschrieben, wie das Ladegerät installiert wird. Es wird eine Beschreibung der Merkmale des Geräts gegeben, um die wichtigsten Komponenten zu identifizieren und die in diesem Handbuch verwendeten technischen Begriffe zu erläutern.

HINWEIS

Anweisungen zur Verwendung des Ladegeräts finden Sie im Benutzerhandbuch (siehe 1.4)

3.2. Einsatzgebiete

Die in diesem Dokument beschriebenen Produkte sind Ladegeräte für Elektrofahrzeuge. Die folgende Klassifizierung (gemäß IEC 61851-1) kennzeichnet ihre Eigenschaften:

- Stromversorgung: ständiger Anschluss an das AC-Stromversorgungsnetz
- Ausgang: Wechselstrom
- Umweltbedingungen: Innen-/Außeneinsatz
- Festeinbau
- Schutz gegen elektrischen Schlag: Klasse I
- EMV-Umgebungsklassifizierung: Klasse B
- Art der Aufladung: Mode 3 gemäß der Norm IEC 61851-1
- Optionale Funktion zur Belüftung nicht unterstützt

HINWEIS

Free2move eSolutions S.p.A. lehnt jede Haftung für Schäden jeglicher Art ab, die durch unsachgemäßen oder unvorsichtigen Gebrauch des Produkts entstehen.

3.3. Kennzeichnungsetikett

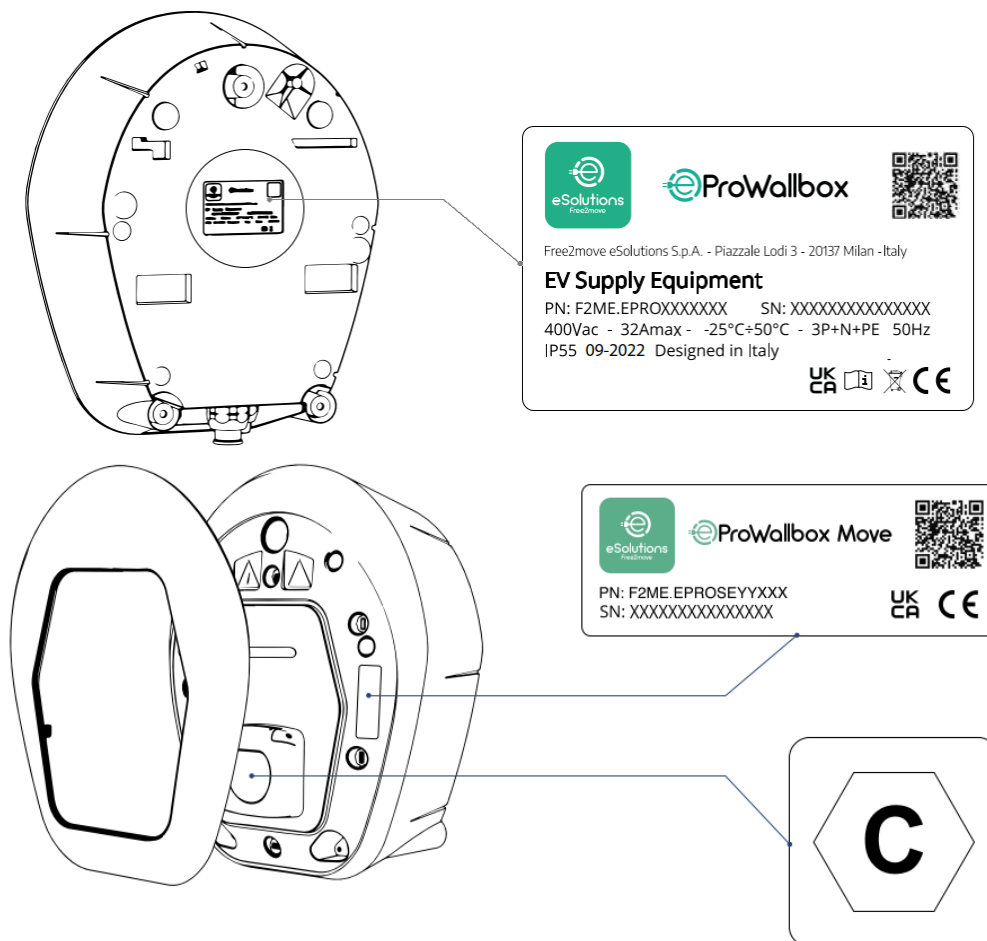
Die Produktinformation auf dem Etikett ist in der folgenden Abbildung dargestellt (im Beispiel das Modell **eProWallbox Move**).

HINWEIS: Je nach Version des Produkts können die Details von den in der Abbildung gezeigten abweichen.

Die Teilenummer (PN) und die Seriennummer (SN) sind ebenfalls zu finden:

- Auf der Verpackung
- In der **Benutzer-App** (siehe 3.8), nachdem Sie das Ladegerät mit dem Profil des Benutzers gekoppelt haben
- Im Installationsprogramm App **PowerUp** (siehe 3.8), nach der Kopplung mit dem QR-Code

Der QR-Code ist auf beiden Etiketten derselbe und wird verwendet, um die Installation in der Installer-App abzuschließen.



Die Bezeichnung C gibt den Typ der Steckdose an.

AC

EN 62196-2

TYP 2

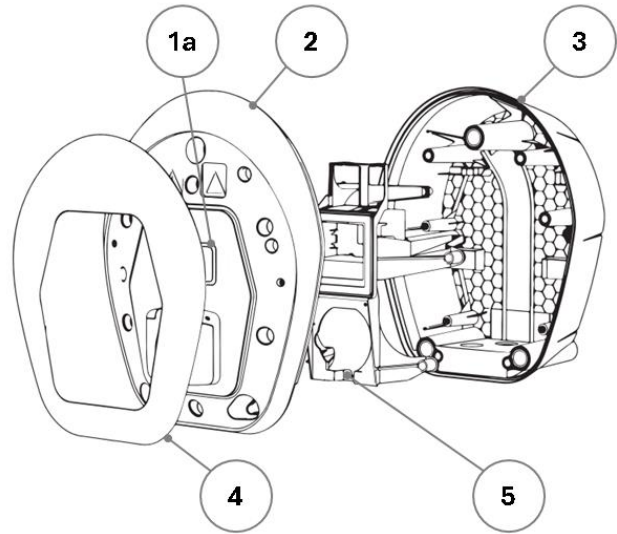
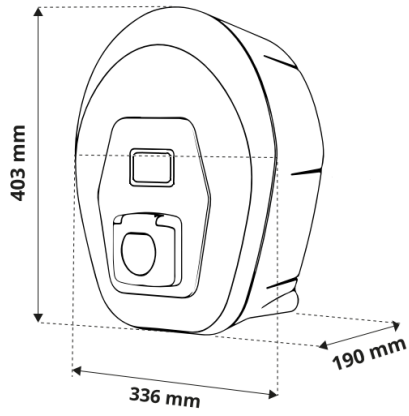
**Stecker und
Steckdose**

≤ 480 V RMS

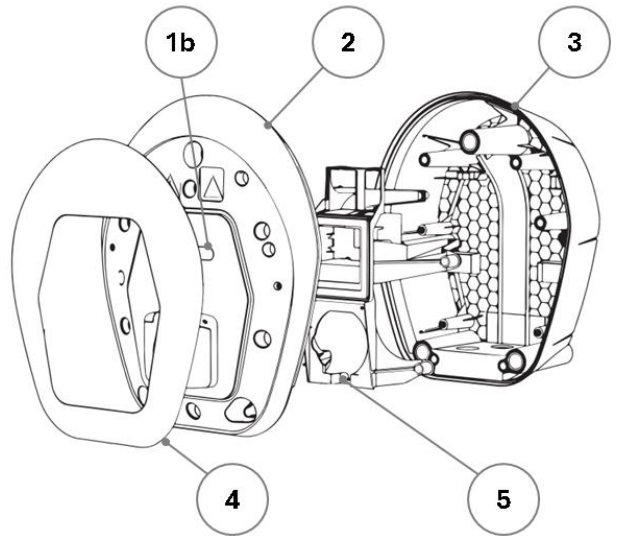
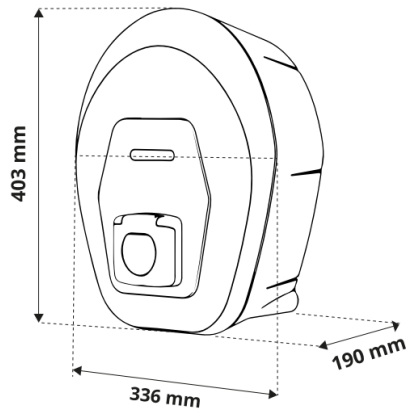


3.4. Abmessungen und Merkmale des Produkts

eProWallbox



eProWallbox Move



- 1a) Anzeige
- 1b) LED-Leiste
- 2) Abdeckung
- 3) Basis
- 4) Außenrahmen
- 5) Mittlere Basis

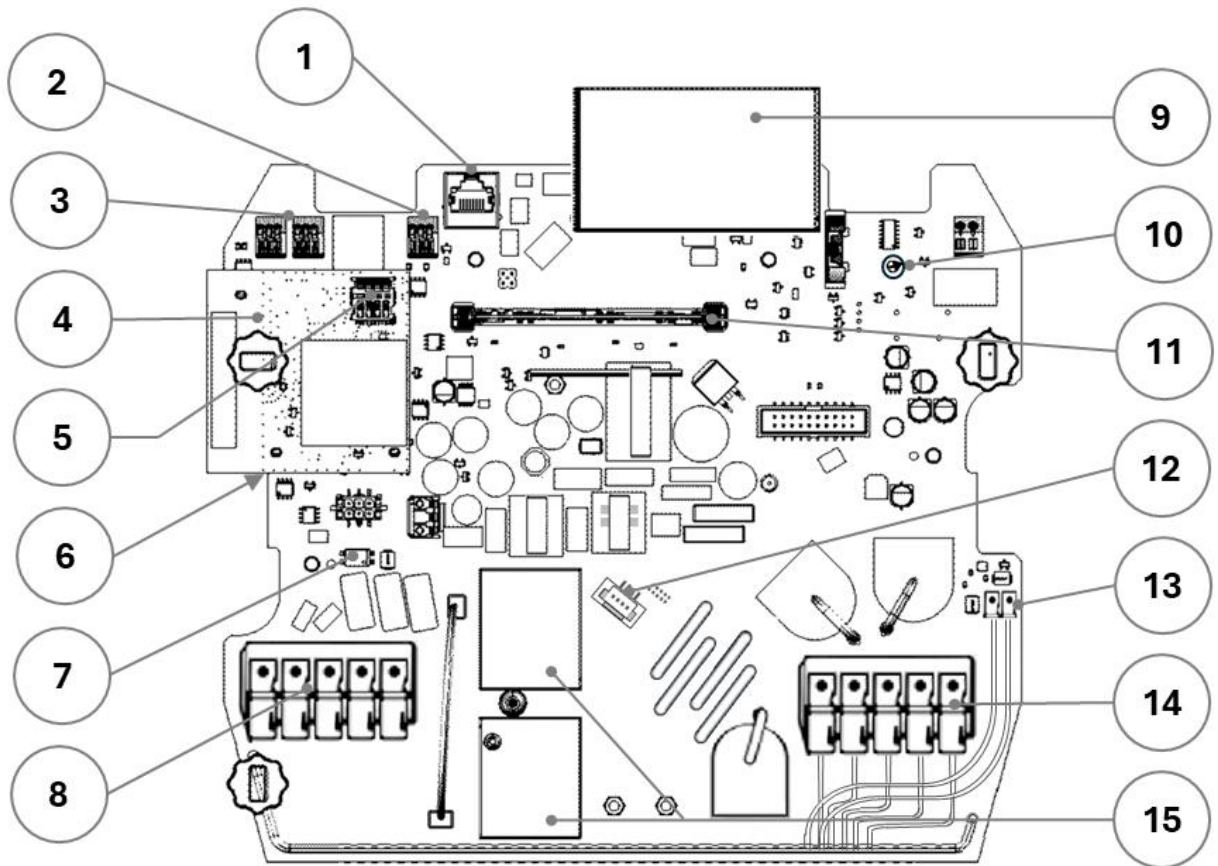
3.5. Technische Daten

	eProWallbox	eProWallbox Move
Auflade-Modus	Mode 3 - Fall B	
Stecker Standard	IEC 62196-2 Typ2	
Merkmale der Verbindung	Steckdose mit Deckel und Innenklappe	
Kennzeichnung	CE, UKCA, TUV	
Allgemeine Spezifikationen	eProWallbox	eProWallbox Move
Abmessungen [mm]	403x336x190	
Gewicht [kg]	~ 3,8 (ohne Kabel)	
Schutzgrad	IP55 (IEC 60529)	
Aufprallschutzklasse	IK08 (IEC 62262)	
Gehäuse	UV-beständiger Kunststoff	
Standard-Farben	Schwarz - RAL 9005 Weiß - RAL 9003	
Benutzerdefinierte Farben	Optional	
Kundenspezifisches Branding	Optional	
Elektrische Spezifikationen	eProWallbox	eProWallbox Move
Leistung [kW]	Bis zu 7,4 einphasig Bis zu 22 dreiphasig	
Spannung [V] / Frequenz [Hz]	230 / 50-60 einphasig 400 / 50-60 dreiphasig	
Stromstärke [A]	Bis zu 32	
Elektrische Installation	3P+N+PE, 32A, 400 V / 50-60 Hz; P+N+PE, 32A, 230V / 50-60 Hz	
AC-Leistungsnetz	TT, TN, IT	
Sicherheit und Betrieb	eProWallbox	eProWallbox Move
Betriebstemperaturbereich [°C]	-25/+50 (ohne direkte Sonnenbestrahlung)	
Überhitzungsschutz	Mit Leistungsreduzierung	
Feuchtigkeitsresistenz	< 95% (nicht kondensierend)	
Brandschutzklassen für Gehäuse	UL94 V-0 GWFI 960	
Überspannungskategorie	OVC III	
Differenzstrom-Überwachung	6 mA DC-empfindliches RCM-Gerät für DC-Leckage enthalten	
Maximale Einbauhöhe [m]	2000 a.s.l.	
Montage	Wand oder Sockel	
Konnektivität und Funktionen	eProWallbox	eProWallbox Move
4G LTE (*)	Für OCPP	Nicht verfügbar
RFID-Lesegerät (*)	Für Charging Pass (RFID)-Autorisierung	Nicht verfügbar
HMI	3,5" TFT-Touchscreen-Display	RGB-LED-Leiste
RS485 Modbus RTU	2 Kommunikationsanschlüsse zum EMS- und M/S-Ladegerät-Netzwerk	
Bluetooth LE 5.0	Für mobile Anwendungen für Benutzer und Installateure	
Wi-Fi	2,4 GHz	
Ethernet	100 Mbps für OCPP und Modbus TCP/IP	
Backend-Kommunikation	OCPP 1.6j	
Firmware-Update über die Luftschnittstelle	Durch OCPP	
Energiezähler (eingebaut)	Intern nicht MID, optional extern MID	
Lastmanagement	Dynamic Power Management mit optionalem externen PowerMeter (DPM). Statisches Lastmanagement für M/S Ladegeräte Network	
Erkennung der Phasenunsymmetrie des Stroms	Konfigurierbar über App	
Verbindung zum Backend (CPMS)	Standard-CPMS oder konfigurierbare URL eines Drittanbieters	
M/S Ladegeräte-Netz	Mehrere Ladegeräte teilen sich denselben Stromanschluss und gleichen die Last dynamisch aus.	
Kompatibilität mit der Photovoltaik (PV)	Photovoltaik-Integration durch Solar-Ladefunktion auf der App	

(*) Nur für das Modell **eProWallbox**, nicht verfügbar für das Modell **eProWallbox Move**.

3.6. Mainboard-Layout

Die folgende Abbildung zeigt die Hauptkomponenten auf der Hauptplatine:



1) CN26 - Ethernet-Anschluss

2) CN12 - RS485 (nur Zähler)

3) CN9-CN10 - RS485

4) 4G LTE-Karte (*)

5) SIM-Karte (*)

6) Wi-Fi und BLE (auf der Hauptplatine, unter der 4G-LTE-Platine)

7) SW2 - DIP-Schalter (darf nicht vorhanden sein)

8) CN1 - Kontakte für Leistungseingang

9) RFID-Lesegerät (*)

10) SW1 - Rotary Switch (Drehschalter)

11) System-Ein-Modul (SOM)

12) CN27 - Fehlerstrom-Monitor-Anschluss

13) PP/CP

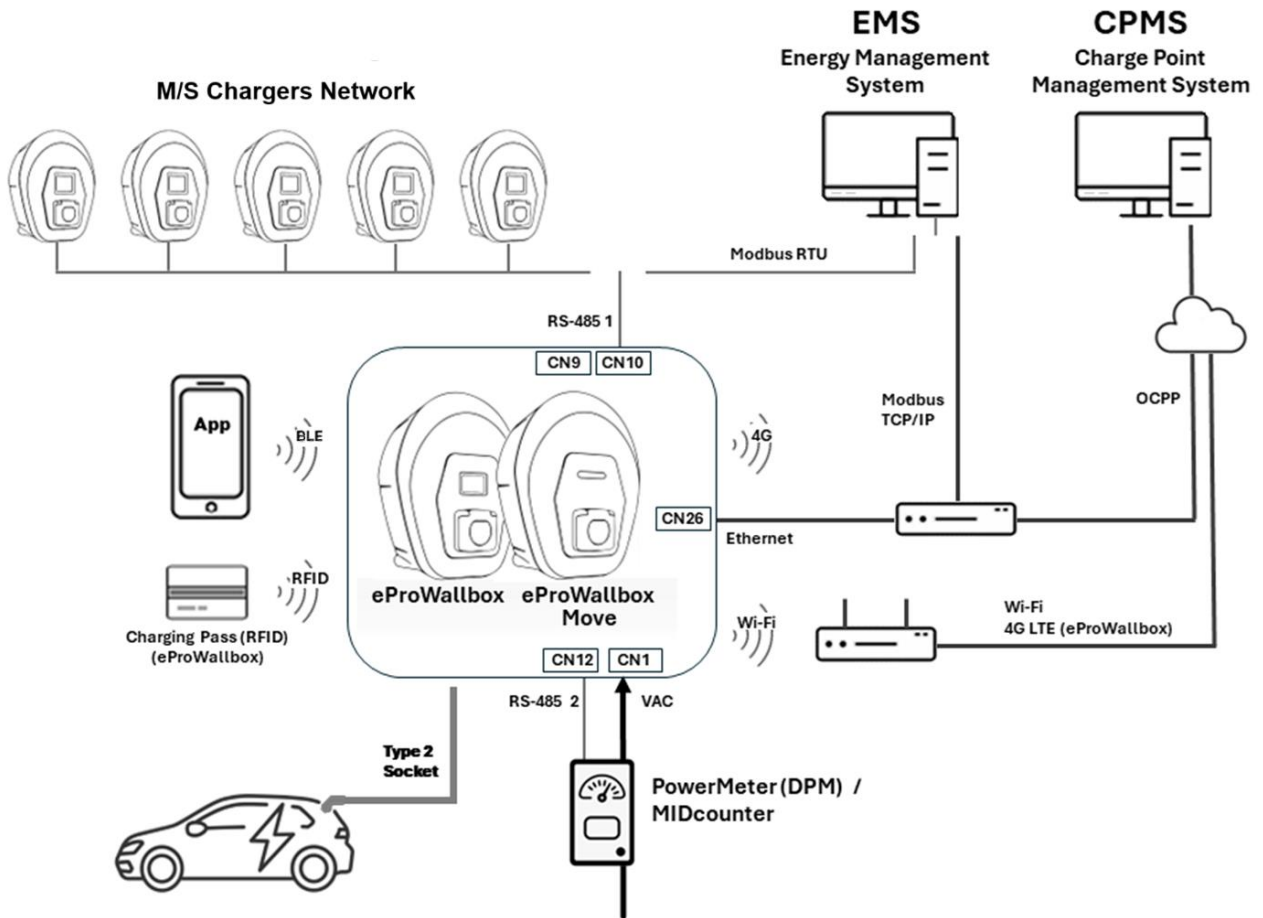
14) Kontakte des Leistungsausgangs

15) Relais

(*) Nur für das Modell **eProWallbox**. Nicht verfügbar für das Modell **eProWallbox Move**.

3.7. Schaltplan für den Anschluss

Die folgende Abbildung zeigt die Anschlüsse des Ladegeräts.



3.8. Apps

Die technische Konfiguration und der Betrieb des Ladegeräts erfolgt über die folgenden mobilen Apps, die sowohl bei Google Play™ als auch im Apple Store® erhältlich sind.

3.8.1. Installateur-App

PowerUp
herunterladen



3.8.2. Benutzer-App

eSolutions
Charging app



4. EINRICHTUNG

4.1. Arbeitsablauf bei der Installation

Um das Ladegerät zu installieren, führen Sie die folgenden Schritte aus. Sie werden dann in den folgenden Abschnitten ausführlich beschrieben.

- 1) Erfüllen Sie die Installationsanforderungen, die mehrere Schritte umfassen. Siehe . 4.2.
- 2) Externe elektrische Absicherung prüfen/installieren. Siehe . 4.3.
- 3) Befestigen Sie das Ladegerät an der Wand. Siehe . 4.4.
- 4) Schließen Sie die Stromversorgung an. Siehe . 4.5.
- 5) Stellen Sie die maximale Leistung am Rotary Switch SW1 ein. Siehe . 4.6.
- 6) Stellen Sie den DIP-Schalter SW2 ein. Siehe . 4.7.
- 7) Installieren Sie, falls erforderlich, PowerMeter (DPM) und MIDcounter. Siehe . 4.8.
- 8) Falls erforderlich, verdrahten Sie die RS485-Anschlüsse. Siehe . 4.9.
- 9) Verkabeln Sie bei Bedarf die Ethernet-Verbindung. Siehe . 4.10.
- 10) Führen Sie eine Systemprüfung durch, schließen Sie das System und schalten Sie es ein. Siehe . 4.11.
- 11) Fahren Sie mit den Schritten der Inbetriebnahme fort. Siehe 5.1.

4.2. Installationsanforderungen s

4.2.1. Informieren Sie sich über die Sicherheitskriterien



GEFAHR
Schalten Sie vor allen Arbeiten die Stromzufuhr ab.



GEFAHR
Die Nichtbeachtung der Anweisungen in diesem Handbuch kann zu schweren Schäden sowohl am Produkt als auch am Installateur führen. In den schwersten Fällen können die Verletzungen tödlich sein. Bitte lesen Sie diese Anleitung sorgfältig durch, bevor Sie das Produkt montieren, einschalten und benutzen.



GEFAHR
Vergewissern Sie sich, dass Sie die Voraussetzungen erfüllen, wie sie in 2.2.



Geltende Normen und Vorschriften

Vor der Installation des Ladegeräts müssen Sie die in der IEC 61851-1 festgelegten örtlichen Beschränkungen einhalten. Es liegt auch in Ihrer Verantwortung, zu überprüfen, ob diese Vorschriften noch in Kraft sind und ob es zusätzliche örtliche Vorschriften gibt, die die Verwendung dieses Produkts im Land der Installation einschränken könnten.



GEFAHR
Die Installation muss den Anforderungen der IEC 60364-7-722 entsprechen.

Erforderliche PSA für die Installationsarbeiten

	Schutzhandschuhe tragen
	Tragen Sie antistatisches Schuhwerk

4.2.2. Prüfen Sie die Kompatibilität des Aufstellungsortes

Bevor Sie mit der Installation fortfahren, vergewissern Sie sich, dass:

- Stellen Sie sicher, dass die Umgebungsbedingungen (z. B. Temperatur, Höhe und Luftfeuchtigkeit) den Produktspezifikationen entsprechen (siehe 3.5).
- Der Aufstellungsraum muss ausreichend belüftet sein, um eine gute Wärmeabgabe zu gewährleisten.
- Es muss genügend Platz vorhanden sein, damit das Ladekabel ordnungsgemäß bewegt werden kann. Außerdem muss es dem Benutzer möglich sein, routinemäßige oder nicht routinemäßige Wartungsarbeiten sicher durchzuführen.
- Der Arbeitsbereich gilt als Gefahrenbereich und muss entsprechend abgesperrt werden, um den Zugang von Personen zu verhindern, die nicht an der Installation beteiligt sind.
- Stellen Sie das Ladegerät nicht bei Regen, Nebel oder hoher Luftfeuchtigkeit auf.

HINWEIS: Es muss der Platz berücksichtigt werden, der zum Abstellen des zu ladenden Elektrofahrzeugs benötigt wird.

Das Ladegerät darf nicht an Orten installiert werden:

- Gekennzeichnet durch explosionsgefährdete Bereiche (gemäß Richtlinie 2014/24/EU)
- Wird für Fluchtwege verwendet
- an Orten, an denen Gegenstände darauf fallen können (z. B. aufgehängte Leitern oder Autoreifen) oder an denen die Gefahr besteht, dass sie angefahren und beschädigt werden (z. B. in der Nähe einer Tür oder in Wartungsbereichen von Fahrzeugen)
- Wo die Gefahr von Druckwasserstrahlen besteht (z. B. bei Autowaschanlagen, Hochdruckreinigern oder Gartenschläuchen).



VORSICHT

Vergewissern Sie sich, dass sich im Installationsbereich keine Wärmequellen, entflammbare Stoffe oder elektromagnetische Quellen befinden.

HINWEIS

Wenn Sie das Ladegerät anschließen möchten, vergewissern Sie sich, dass der gewählte Bereich von der Wi-Fi-Abdeckung abgedeckt ist.



VORSICHT

Das Ladegerät ist so konstruiert, dass es direktem Sonnenlicht und schlechten Wetterbedingungen standhält. Um seine Lebensdauer zu verlängern und die Leistungsreduzierung zu begrenzen, wird jedoch empfohlen, das Gerät durch ein Vordach vor direkter Sonneneinstrahlung und Regen zu schützen.

Bei der Wahl des Aufstellungsortes für das Ladegerät sind die folgenden Hinweise zu beachten:

- Vermeiden Sie Wände, die nicht stabil und sicher sind
- Vermeiden Sie Wände, die aus brennbarem Material bestehen oder mit brennbarem Material bedeckt sind (z. B. Holz, Teppich usw.)
- Vermeiden Sie die direkte Einwirkung von Regen, um sicherzustellen, dass schlechtes Wetter nicht zu einer Verschlechterung führt.
- Sorgen Sie für eine ausreichende Belüftung des Ladegerätes - montieren Sie es nicht in einer Nische oder einem Schrank
- Vermeiden Sie einen Wärmestau - halten Sie das Ladegerät von Wärmequellen fern
- Vermeiden Sie das Eindringen von Wasser
- Vermeiden Sie übermäßige Temperatursprünge

4.2.3. Überprüfen Sie die Leistung der Stromversorgung



WARNUNG

Die Auslegung der gesamten elektrischen Anlage, an die das Ladegerät angeschlossen werden soll, muss zuvor von einem qualifizierten Fachmann festgelegt werden.

Die elektrischen Daten des Ladegeräts, die zur korrekten Dimensionierung des Stromnetzes herangezogen werden sollten, sind auf dem Typenschild angegeben (siehe 3.3).



WARNUNG

Installieren Sie das Ladegerät nicht mit nassen Händen.



WARNUNG

Unter keinen Umständen darf ein Wasserstrahl auf das Ladegerät gerichtet werden.

4.2.4. Überprüfung des M/S Chargers Network Anforderungen

Das M/S (Main/Satellite) Ladegeräte Network (siehe auch **Error! Reference source not found.**) ermöglicht es einem Hauptladegerät, bis zu fünf Satellitenladegeräte über eine RS485-Kommunikationsverbindung zu koordinieren. Die Koordination gewährleistet einen ausgeglichenen Betrieb, indem die verfügbare Leistung dynamisch und gleichmäßig auf die angeschlossenen Ladegeräte verteilt wird, basierend auf der maximalen Leistungskapazität am gemeinsamen Anschlusspunkt.

Achten Sie bei der Dimensionierung der Gruppe von Ladegeräten im Netz darauf, **dass am Anschlusspunkt die** unten angegebene **Mindestleistung zur Verfügung steht:**

- Bei einer einphasigen Installation beträgt die erforderliche Mindestleistung 2 kW pro vernetztes Ladegerät.
- Bei einer dreiphasigen Installation beträgt die erforderliche Mindestleistung 6 kW pro vernetztes Ladegerät.

Beispiel: Für eine Gruppe von 2 einphasigen Ladegeräten ist ein Minimum von 4 kW erforderlich.

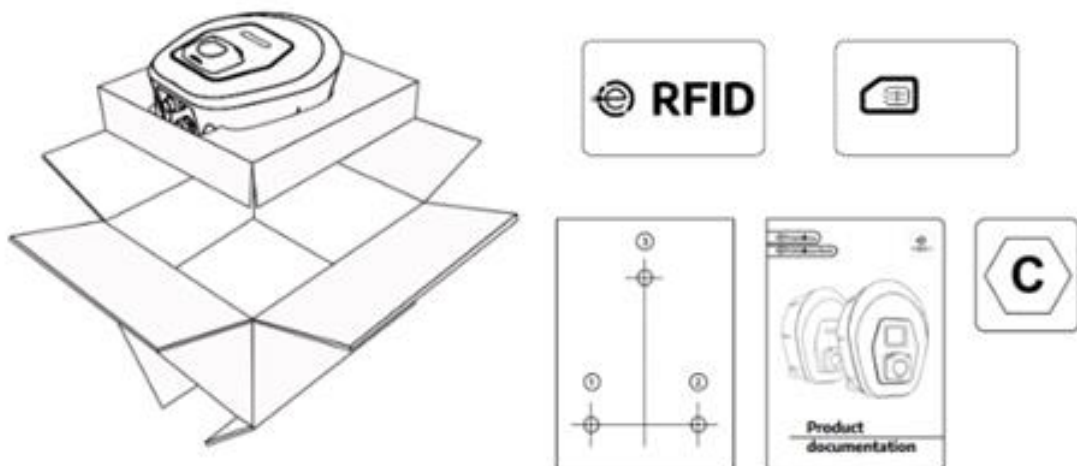
4.2.5. Überprüfen Sie die Produktverpackung

Überprüfen Sie, ob die Verpackung intakt ist und keine offensichtlichen Schäden aufweist. Wenn das Ladegerät und/oder die Verpackung beschädigt sind, brechen Sie den Installationsvorgang ab und rufen Sie Hilfe (siehe Abschnitt 9).

Das Paket enthält die folgenden Artikel:

- 1 Charging Pass (RFID) (nur eProWallbox-Modell, P/N F2ME.EPROSCYYXXX).
- 1 SIM-Karte installiert (nur eProWallbox-Modell, P/N F2ME.EPROSCYYXXX).
- 1 Bohrschablone für den Einbau
- Produktdokumentation

HINWEIS: Im Lieferumfang des Modells **eProWallbox Move** (P/N F2ME.EPROSEYYXXX) sind der Charging Pass (RFID) und die SIM-Karte nicht enthalten.

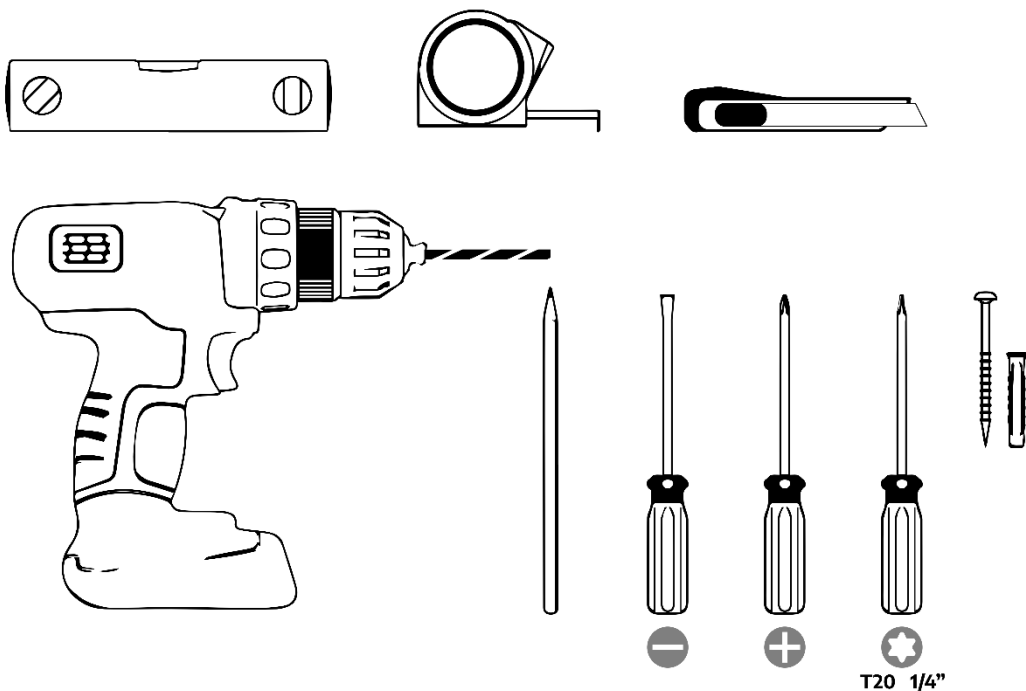


4.2.6. Besorgen Sie die erforderlichen Werkzeuge

Die Liste umfasst:

- Torx-Schraubendreher T20 1/4"
- Kreuzschlitzschraubendreher (Mindestlänge =160mm)
- Schlitzschraubendreher (Kopf < 2mm)
- 3x Dübel ø10x50mm mit Schrauben
- Bohrer mit ø10 mm 3/8" Bit
- Schneidwerkzeug
- Hammer
- Bleistift
- Wasserwaage
- Maßband
- Klebeband

HINWEIS: Das Ladegerät ist mit 2 kasten-mantel-verschraubungen ausgestattet, die Sie durch ø25mm Kabelverschraubungen ersetzen können (nicht im Lieferumfang enthalten).



WARNUNG

Verwenden Sie keinen elektrischen Schraubendreher, um das Ladegerät zusammenzubauen oder es an der Wand zu befestigen. Free2move eSolutions S.p.A. lehnt jede Haftung für Schäden an Personen oder Sachen ab, die durch die Verwendung solcher Werkzeuge entstehen.

4.3. Externer elektrischer Schutz

Das Ladegerät ist mit einer 6 mA DC Gleichstrom-Erfassungseinrichtung ausgestattet. Gemäß der Norm IEC 61851-1 muss das Ladegerät durch externe elektrische Schutzvorrichtungen, wie in den folgenden Richtlinien angegeben, vorgeschaltet werden. Das Ladegerät ist nicht mit einem PEN-Fehlererkennungssystem ausgestattet.

Miniatur-Leitungsschutzschalter (MCB): 1P/P3+N, empfohlene C-Kurve, mindestens 6kA Nennkurzschlussleistung. Bemessungsstrom je nach Stromversorgung und Einstellung des Ladegeräts mit einem Maximum von 40A; z.B. wird bei I_{max} 32 A der MCB C40 verwendet. Im Falle eines Kurzschlusses sollte der Wert von I_2t am Fahrzeuganschluss der Ladestation 75000 A2s nicht überschreiten.

Die Überstromschutzeinrichtungen sollten den Normen IEC 60947-2, IEC 60947-6-2, IEC 61009-1 oder den einschlägigen Teilen der Serien IEC 60898 oder IEC 60269 entsprechen.

Fehlerstrom-Schutzeinrichtung (RCD): 1P/P3+N, gemäß den örtlichen Vorschriften, mindestens Typ A. Nur manuell rückstellbarer Typ. Der Fehlerstromschutzschalter sollte einen Nennfehlerstrom von höchstens 30 mA haben und einer der folgenden Normen entsprechen: IEC 61008-1, IEC 61009-1, IEC 60947-2 und IEC 62423. Der FI-Schutzschalter sollte alle stromführenden Leiter abschalten.

Überspannungsschutzgerät (SPD): Um mögliche Schäden am Elektrofahrzeug durch Überspannung zu vermeiden, empfehlen wir dringend, den Stromversorgungskreis des Anschlusspunktes mit einem SPD zu schützen.

Isolationsüberwachungsgerät (IMD): Beim Einbau in IT-Systeme muss ein Isolationsüberwachungsgerät (IMD) gemäß CEI EN 61557-8 eingebaut werden.



WARNUNG!

Für Systeme des Typs TN gibt es möglicherweise zusätzliche spezifische örtliche Vorschriften zur Systemsicherheit und zum Fehlerschutz, die Sie als Installateur kennen und umsetzen müssen.

4.4. Befestigung des Ladegeräts an der Wand



VORSICHT

Bei der Befestigung des Ladegeräts an der Wand müssen die nationalen und internationalen Bauvorschriften gemäß IEC 60364-1 und IEC 60364-5-52 beachtet werden. Die korrekte Positionierung der Ladestation ist wichtig, um einen einwandfreien Betrieb zu gewährleisten.

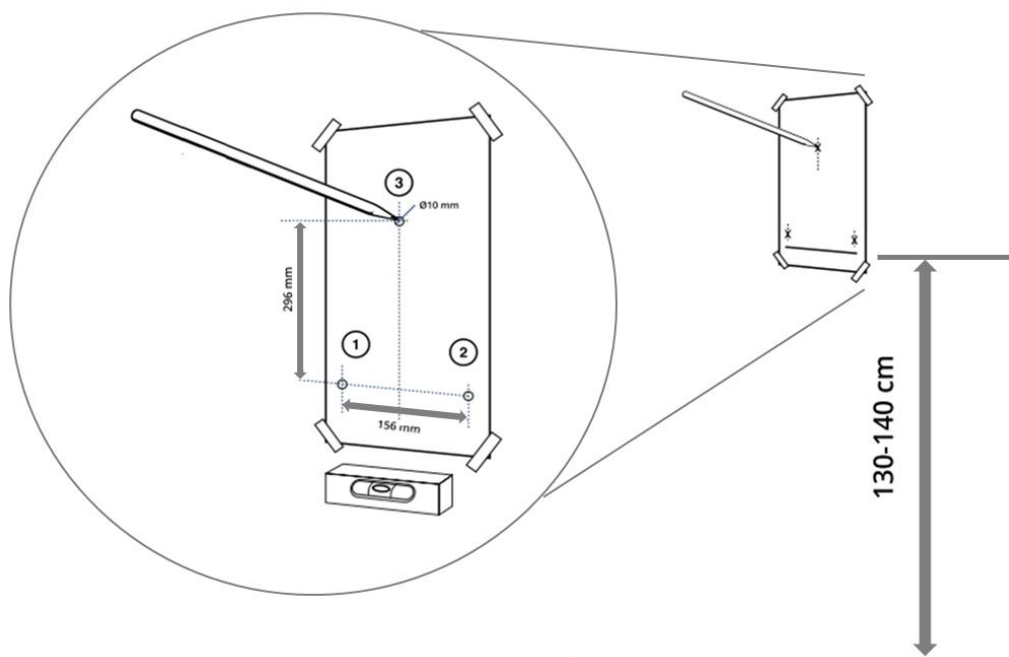
Für die Befestigung des Hauptkörpers an der Wand werden **3 Dübel (Ø 10x50 mm)** benötigt. Für die Montage an Wänden aus anderen Materialien (z. B. Gipskarton) sind spezielle Dübel erforderlich, die erst nach Prüfung der maximal zulässigen Belastung angebracht werden dürfen.

Vor der Installation müssen Sie die Position und die Abstände zu den Wänden festlegen:

- Wir empfehlen, einen Abstand **von 50-60 cm zu anderen Wänden** einzuhalten, um die Installation und Wartung zu erleichtern.
- Wir empfehlen außerdem, das Ladegerät **in einer Höhe von 130-140 cm über dem Boden** zu installieren.
- Um die Installation und die Wandmontage zu erleichtern, **verwenden Sie die mitgelieferte Schablone**, um die 3 Befestigungslöcher zu bohren. Die Schablone sollte auch für die Nivellierung mit einer Wasserwaage verwendet werden.

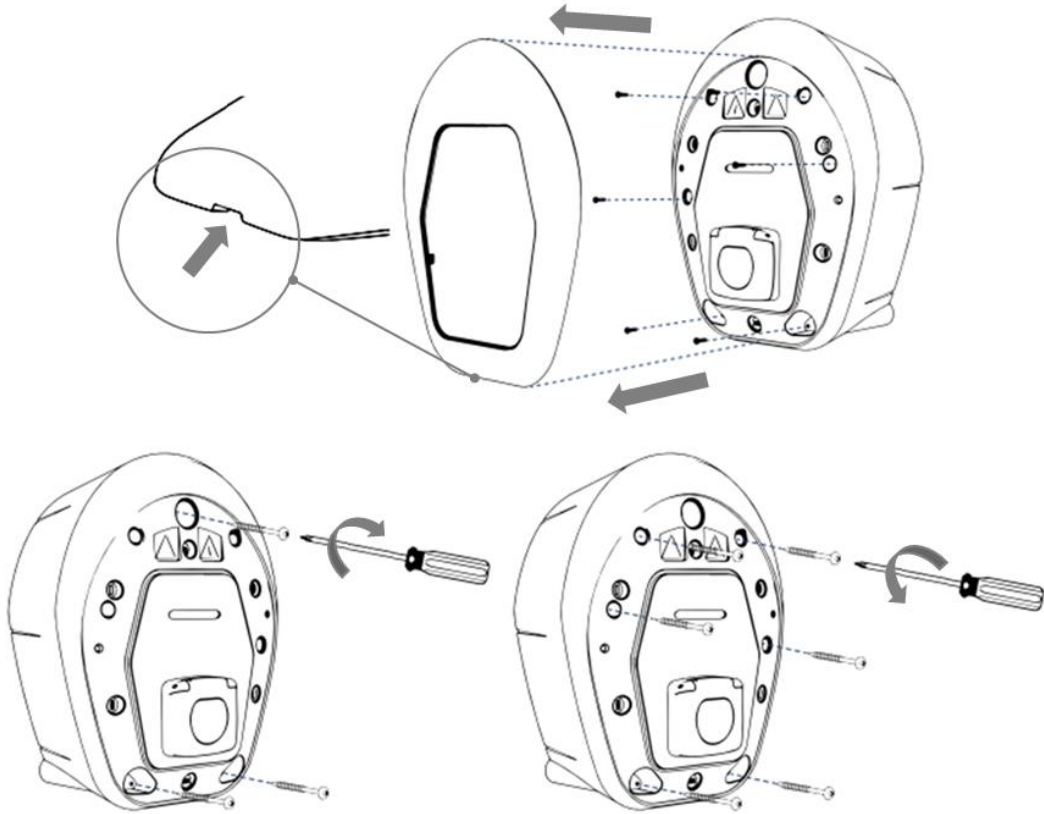
Montageverfahren

- 1) Bohren Sie mit einem Bohrer 3x Ø10 mm Löcher an den markierten Befestigungspunkten. Die Mindestdiefe der Löcher muss 60 mm betragen. Entfernen Sie anschließend alle Bohrrückstände aus den Löchern.
- 2) Drücken Sie die Befestigungsdübel mit einem Hammer in die Löcher.



- 3) Entfernen Sie den Außenrahmen des Ladegeräts mithilfe der Rille an der Unterseite.

- 4) Befestigen Sie das Ladegerät, indem Sie die 3 Schrauben mit einem Kreuzschlitzschraubendreher in die Dübel einführen.
- 5) Um mit der elektrischen Installation fortzufahren, ziehen Sie die Abdeckung heraus und entfernen Sie die 6 Schrauben mit einem Torx T20 ¼" Schraubendreher.

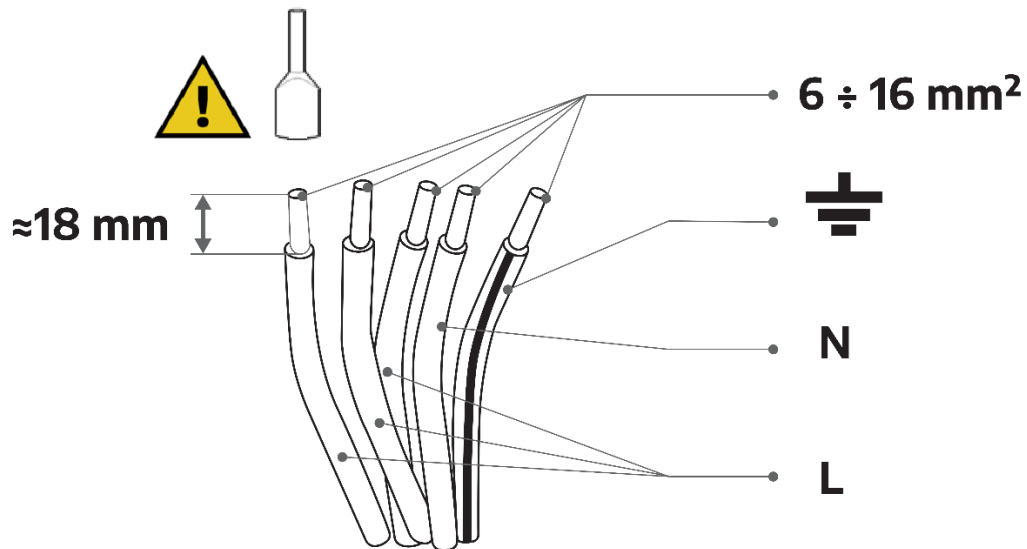


4.5. Anschluss des Netzteils an das Ladegerät

Das Ladegerät muss über entsprechend dimensionierte Kabel mit Strom versorgt werden. Vergewissern Sie sich vor der Verkabelung, dass die Kabel richtig bemessen sind und dass der maximal zulässige Biegeradius nicht überschritten wird.

Die elektrischen Daten des Ladegeräts, die für die richtige Dimensionierung der Stromversorgung herangezogen werden sollten, sind auf dem Typenschild des Geräts angegeben. (siehe 3.3).

Befolgen Sie diese Empfehlungen:



- **Gefahr schwerer Schäden:** Fügen Sie immer 18 mm Kabelspitzen an den Kabeln der Stromversorgung hinzu.
- Empfohlener Mindestleiterdurchmesser: 6 mm ;²
der Eingangsanschluss kann auch 4 mm aufnehmen²
- Maximale Leitergröße: 16 mm²
- Mindestabisolierlänge für Stromversorgungskabel: 18 mm



GEFAHR

Verwenden Sie immer elektrische Kabelspitzen, um eine optimale Verbindung zu gewährleisten. Prüfen Sie den Anschluss sorgfältig, bevor Sie das Ladegerät einschalten.

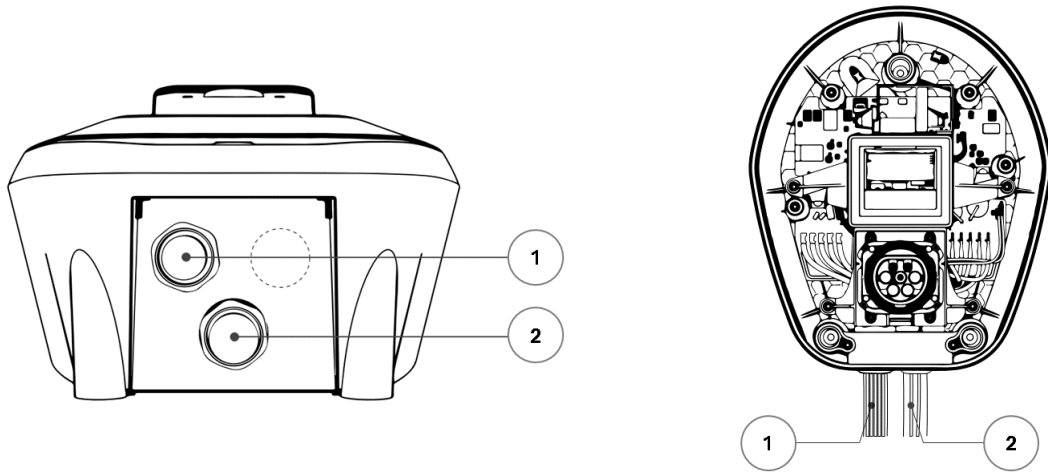
Bei Nichtbeachtung besteht die Gefahr, dass das Produkt beschädigt wird oder dass Personen oder Tiere getötet werden.



GEFAHR

Die Leistung des Ladegerätes muss während dieses Schrittes ausgeschaltet bleiben.

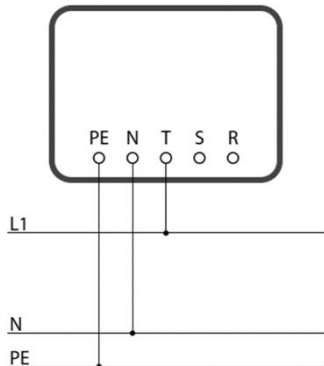
HINWEIS: Der untere Teil des Ladegeräts hat zwei Kabeleinführungen, die mit Schutzkappen verschlossen sind, um das Eindringen von Staub oder Feuchtigkeit während des Transports zu verhindern.



- 1) Kabel für die Stromversorgung
- 2) Kommunikationskabel

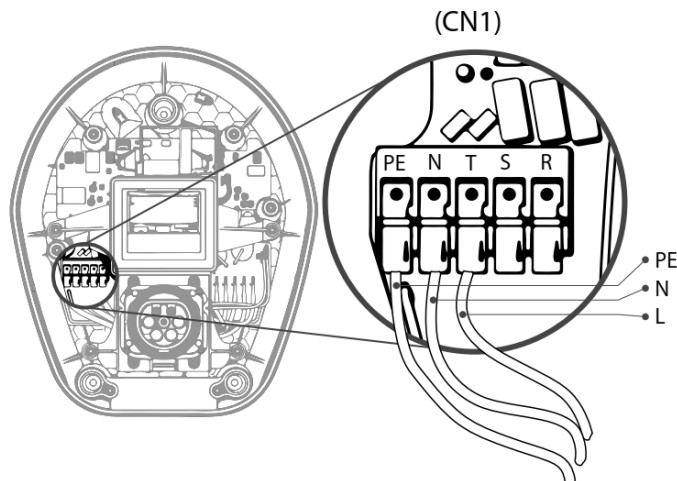
4.5.1. Einphasige Installation

Die nachstehenden Diagramme zeigen den elektrischen Anschluss des Ladegeräts in Einphasensystemen.



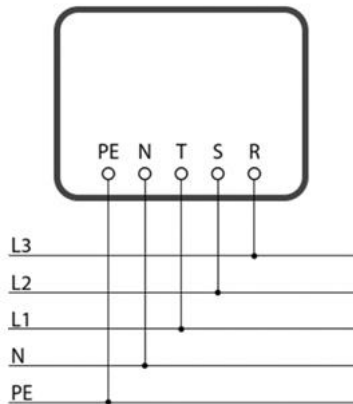
Einbauverfahren

- 1) Entfernen Sie die Schutzkappe der Stromversorgungseinführung und führen Sie den Wellmantel \varnothing 25 mm ein.
- 2) Ziehen Sie die Verbindung zwischen Kasten und Kabelmantel fest.
- 3) Stecken Sie das Kabel der Stromversorgung ein und schließen Sie es an die Klemmenleiste CN1 der Stromversorgung an:
 - Erdungskabel an PE
 - Neutrales Kabel an N
 - Phasenkabel an T



4.5.2. Dreiphasige Installation

Die nachstehenden Diagramme zeigen den elektrischen Anschluss des Ladegeräts in Drehstromnetzen.



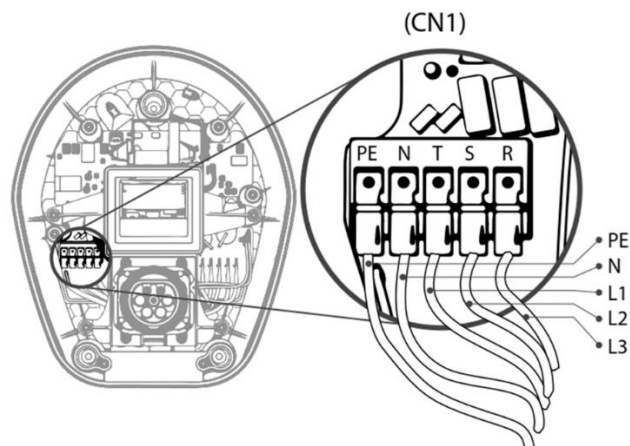
VORSICHT

Bei Installationen in Dreiphasensystemen ist darauf zu achten, dass die elektrischen Lasten im System (einschließlich des Ladegeräts) zwischen den Phasen gut ausgeglichen sind.

Bei Mehrfachinstallationen empfiehlt es sich, die Last auf alle verfügbaren Phasen zu verteilen.

Einbauverfahren

- 1) Entfernen Sie die Schutzkappe der Stromversorgungseinführung und führen Sie den Wellmantel \varnothing 25 mm ein.
- 2) Ziehen Sie die Verbindung zwischen Kasten und Kabelmantel fest.
- 3) Stecken Sie das Kabel für die Stromversorgung ein und schließen Sie es an die Klemmenleiste CN1 an:
 - Erdungskabel an PE
 - Neutrales Kabel an N
 - Phasenkabel zu T, S, R



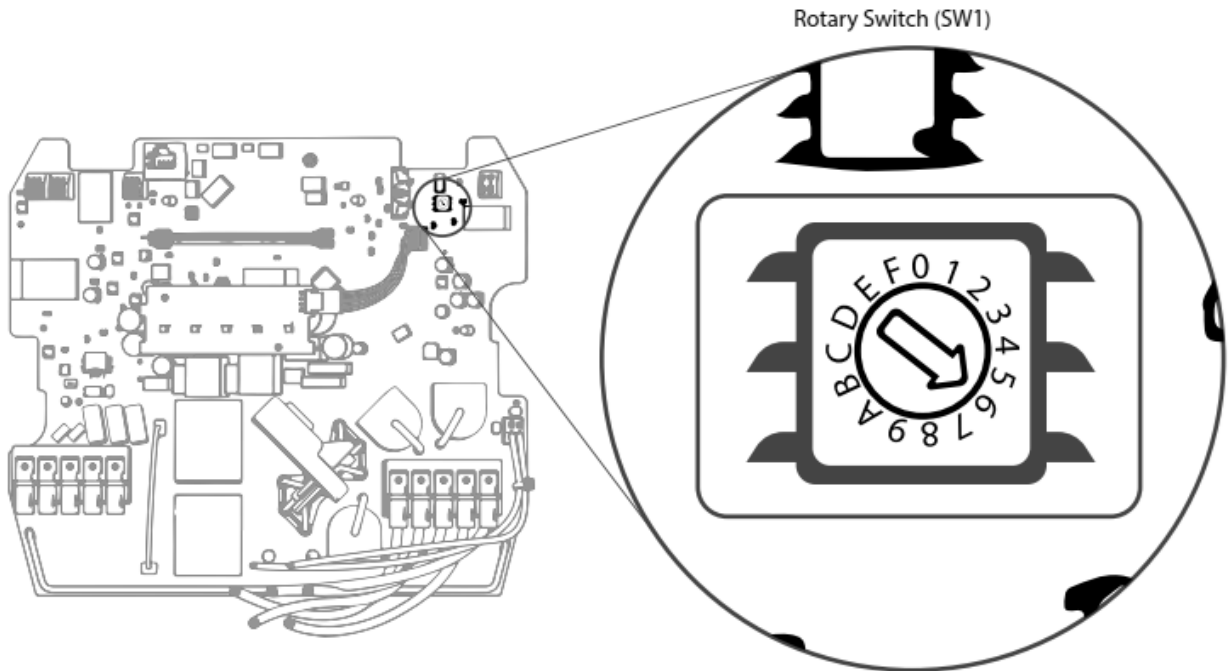
4.6. Einstellung der maximalen Leistung am Rotary Switch SW1

Am Rotary Switch SW1 (siehe 3.6) stellen Sie die maximale Leistung entsprechend der Dimensionierung der elektrischen Anlage und der Art der Stromversorgung (ein- oder dreiphasig) ein. Siehe die nachstehende Tabelle.

HINWEIS

Die Leistung des Ladegerätes sollte während dieses Schrittes ausgeschaltet bleiben.

Wenn die Position des Rotary Switches bei eingeschalteter Leistung geändert wird, schalten Sie das Gerät aus und wieder ein, damit die Änderung wirksam wird.

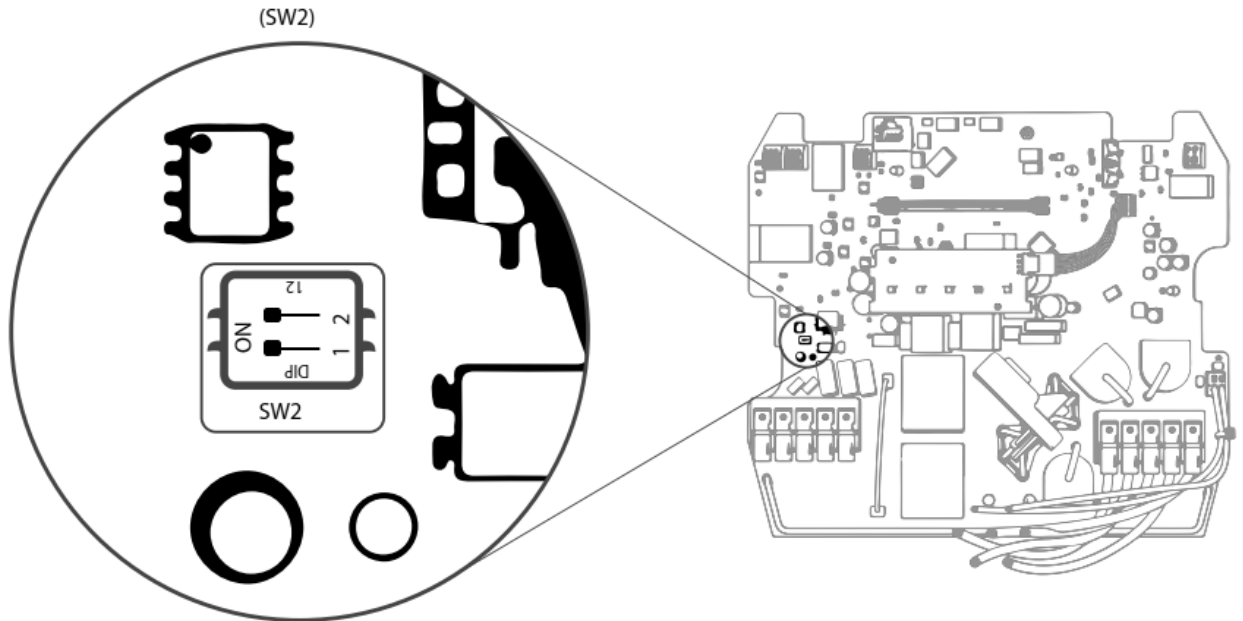


Einstellung des Rotary Switches	0	1	2	3	4	5	6	7	8	9	A	B	C	D	E	F
Einphasig [kW]	3.7	4.6	5.1	5.8	6.0	7.4	-	-	-	-	-	-	-	-	-	-
Dreiphasig [kW]	-	-	-	-	-	-	4.3	6.9	9.0	11.0	13.1	15.2	17.3	19.3	20.7	22.0

4.7. Einstellung des DIP-Schalters h SW2

Der DIP-Schalter SW2 ist bei einigen Produktversionen vorhanden.

Falls vorhanden, müssen Sie die Plastikfolie vom DIP-Schalter SW2 entfernen und beide Kontakte in die Position ON bringen.



4.8. Installation von PowerMeter (DPM) und MIDcounter

In diesem Abschnitt wird beschrieben, wie die Installation erfolgt:

- **PowerMeter (DPM):** Ein Zähler, der Dynamic Power Management (DPM) ermöglicht, eine intelligente Funktion, die es ermöglicht, ein E-Fahrzeug nur mit dem aktuell zu Hause verfügbaren Strom zu laden, die Ladeleistung zu modulieren und unangenehme Stromausfälle zu vermeiden.
- **MID-Zähler:** Ein zertifizierter Zähler, der den Energieverbrauch des Ladegeräts während jedes Ladevorgangs überwacht.

Im Folgenden sind die kompatiblen Geräte aufgeführt.

Direktmessgeräte, die als PowerMeter (DPM) oder MID-Zähler verwendet werden können:

- Gavazzi, 1-phasig, direkt, 32 A (EM111DINAV81XS1PFB)
- Finder, 1-phasig, direkt, 40 A (7M2482300210)
- Gavazzi, 1 Phase, direkt 100 A (EM112DINAV01XS1PFB)
- Gavazzi, 3-phasig, direkt, 65 A (EM340DINAV23XS1PFB)
- Finder, 3-phasig, direkt, 80 A (7M3884000212)

Indirekte Messgeräte, die nur als PowerMeter (DPM) verwendet werden können:

- Gavazzi, 1-phasig, indirekt (EM111DINAV51XS1X) mit 1x Stromwandler 100 A (CTA5X100A5A)
- Gavazzi, 1-phasig, indirekt (EM111DINMV51XS1X) mit 1x CTV 60 A (CTV1X60A333MV)
- Gavazzi, 3-phasig, indirekt (EM330DINAV53HS1X) mit 3x CT 150 A (CTA5X150A5A30)



WARNUNG

Versuchen Sie nicht, elektrische Geräte zu installieren, wenn Sie nicht über eine Qualifikation als Elektrofachkraft verfügen (siehe 2.2). Andernfalls kann es zu ernsthaften Gefahren und Schäden für Sie selbst sowie für Menschen, Gegenstände oder Tiere in Ihrer Umgebung kommen.

HINWEIS

Weitere Informationen zur Installation finden Sie in der Installationsanleitung des Herstellers, die dem Zähler beiliegt.

4.8.1. Installation von PowerMeter (DPM)

Wenn PowerMeter verwendet wird und während des Ladevorgangs andere Haushaltsgeräte in Betrieb sind, kann das System die Ladeleistung für das Fahrzeug modulieren und den Ladevorgang vorübergehend unterbrechen. Sobald die anderen Haushaltsgeräte ausgeschaltet sind, wird der Ladevorgang fortgesetzt.

Die DPM smart logic funktioniert sowohl in dreiphasigen als auch in einphasigen Anlagen.



WARNUNG

Bei der Installation in Dreiphasensystemen ist darauf zu achten, dass die elektrischen Lasten (einschließlich des Ladegeräts) gleichmäßig auf die Phasen des Stromnetzes verteilt sind.



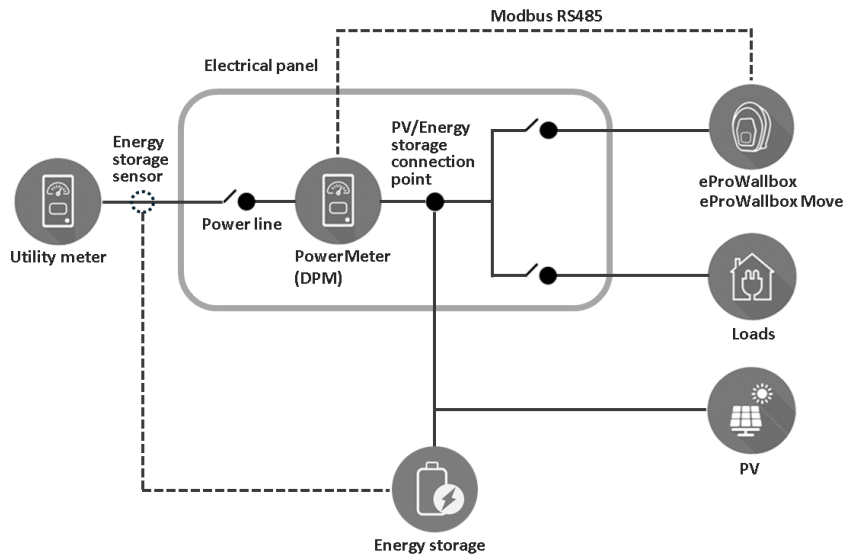
WARNUNG

Die Leistung des Ladegeräts muss während dieses Schrittes ausgeschaltet bleiben.

Installation der Direktmessung PowerMeter (DPM)

Platzieren Sie den PowerMeter (DPM) hinter dem Verbrauchszähler.

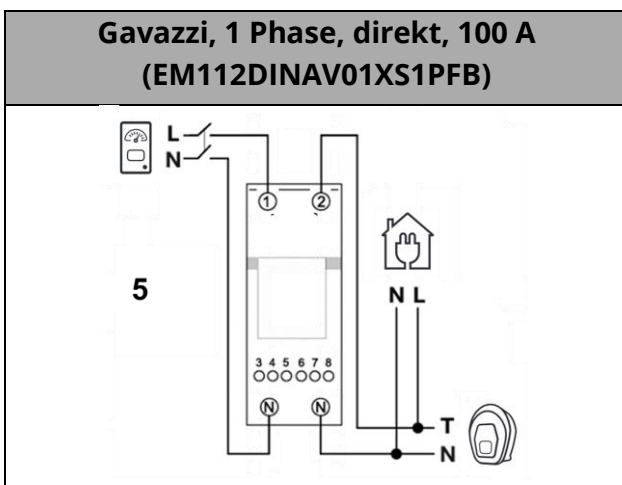
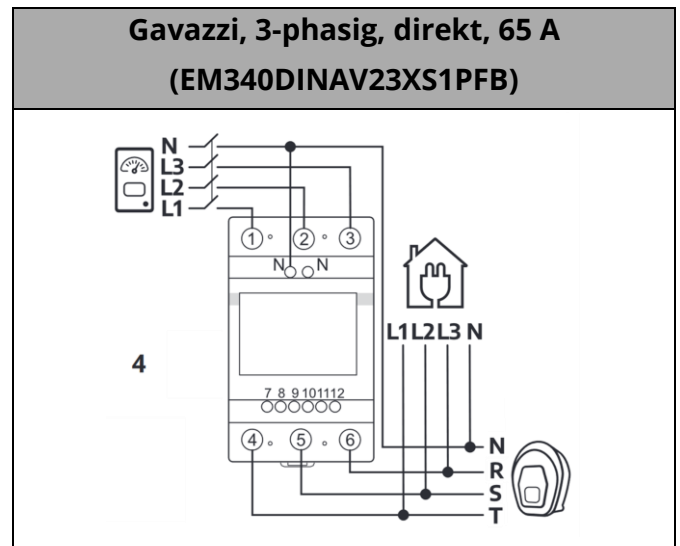
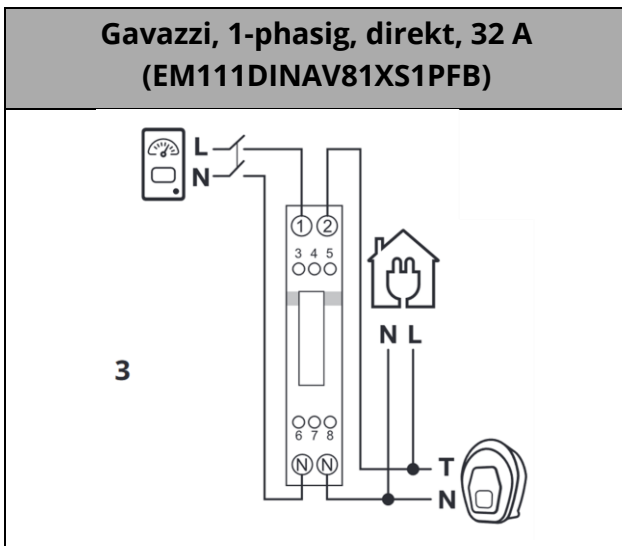
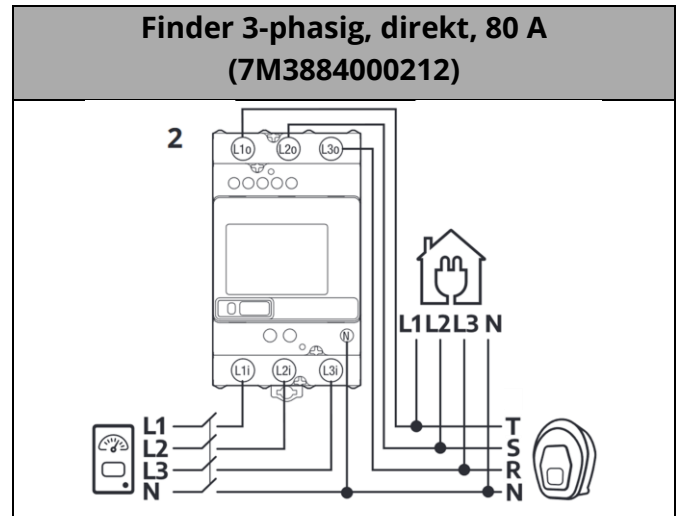
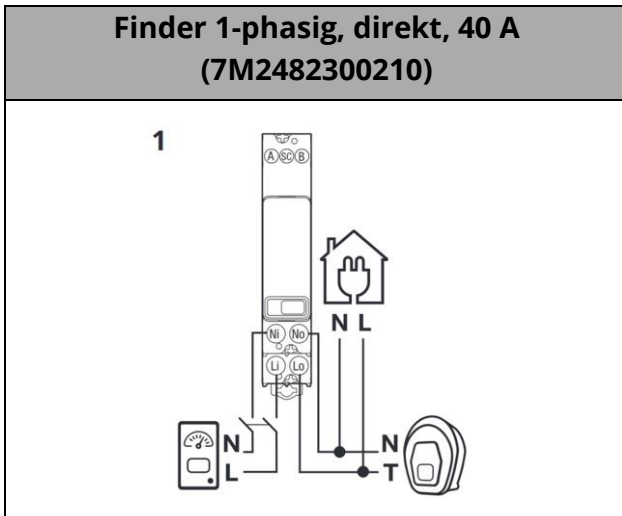
Das PowerMeter (DPM) muss alle elektrischen Verbraucher, einschließlich des Ladegeräts, messen.



HINWEIS

- 1) Wenn eine PV-Anlage vorhanden ist, sollte der PowerMeter zwischen dem Verbrauchszähler und dem PV-Anschluss platziert werden.
- 2) Wenn ein Energiespeicher im Haus vorhanden ist, sollte der PowerMeter zwischen dem Anschlusspunkt des Energiespeichers und dem Messfühler für den Energiespeicher platziert werden.

Siehe die nachstehenden Diagramme für den einphasigen und dreiphasigen elektrischen Anschluss des direkten PowerMeters (Finder und Gavazzi).

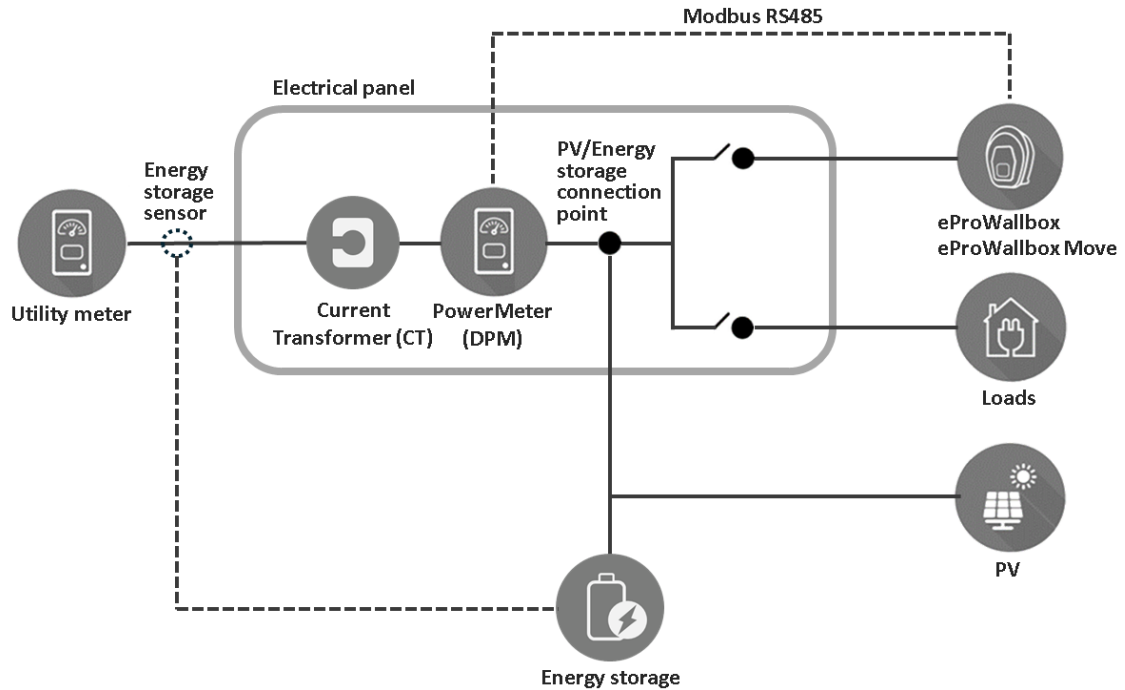


→ Die RS485-Kommunikationsverbindung wird in 4.9.

Installation der indirekten Messung PowerMeter (DPM)

Platzieren Sie die Stromwandler des PowerMeters nach dem Verbrauchszähler und vor den elektrischen Verbrauchern, einschließlich des Ladegeräts.

Richten Sie beim Einbau der Stromwandler (CT) den Pfeil auf dem CT in Richtung der Lasten aus.



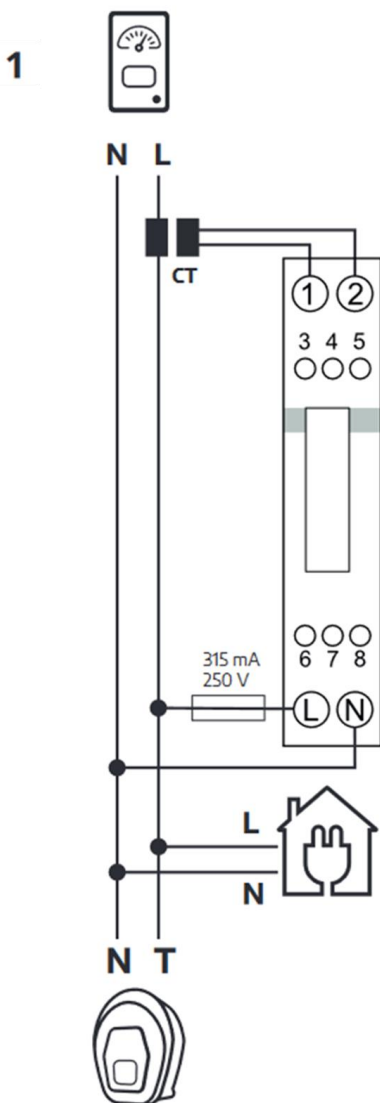
HINWEIS

- 1) Wenn PV vorhanden ist, sollten die PowerMeter-Stromwandler (CT) zwischen dem PV-Anschlusspunkt und dem Verbrauchszähler platziert werden.
- 2) Wenn es einen Energiespeicher im Haus gibt, sollten die PowerMeter-Stromwandler (CT) zwischen dem Anschlusspunkt des Energiespeichers und dem Messfühler des Energiespeichers platziert werden.

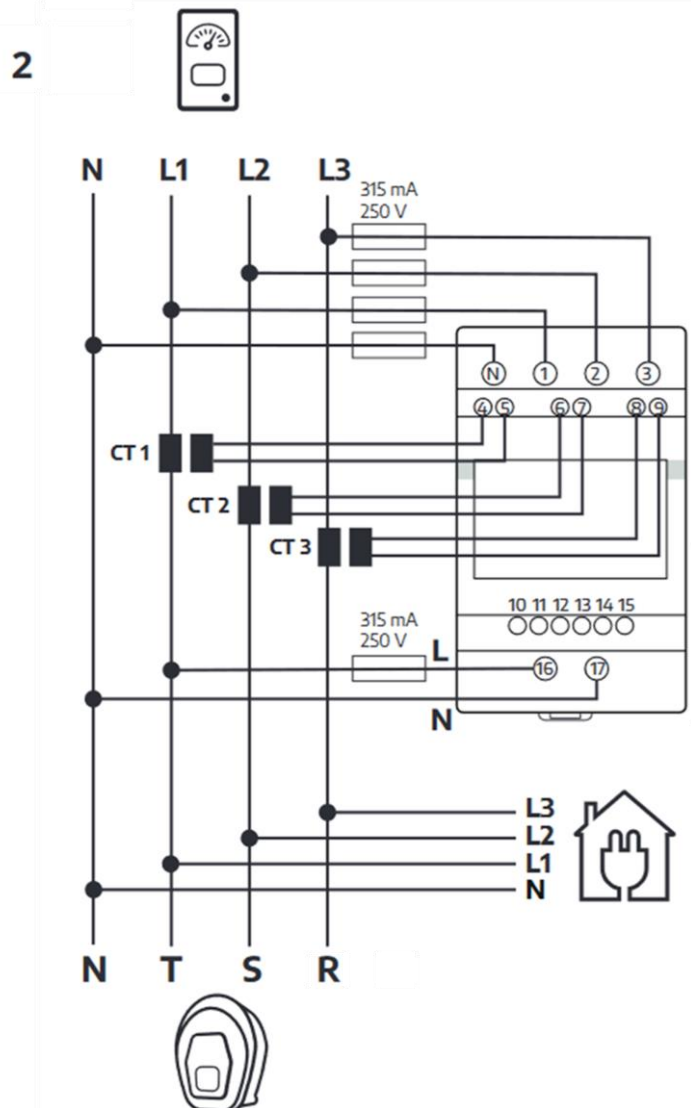
Siehe die nachstehenden Diagramme für den einphasigen und dreiphasigen elektrischen Anschluss der Gavazzi Energiezähler.

Gavazzi, 1-phasig, indirekt (EM111DINAV51XS1X) mit 1x Stromwandler 100 A (CTA5X100A5A)

Gavazzi, 1-phasig, indirekt (EM111DINMV51XS1X) mit 1x CTV 60 A (CTV1X60A333MV)



Gavazzi, 3-phasig, indirekt (EM330DINAV53HS1X) mit 3x CT 150 A (CTA5X150A5A30)



→ Die RS485-Kommunikationsverbindung wird in 4.9.

4.8.2. Installation von MIDcounter

Der MIDcounter ist ein zertifizierter Zähler, mit dem der Verbrauch des Ladegeräts bei jedem Ladevorgang sicher und zuverlässig überwacht werden kann.

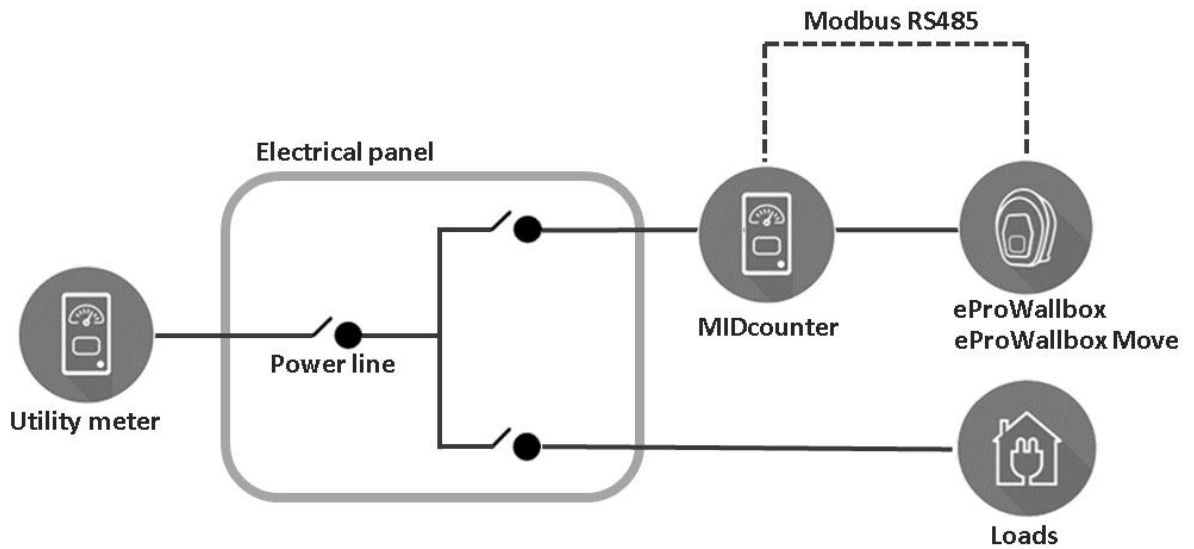
Alle relevanten Daten der Ladevorgänge werden automatisch von einem zertifizierten MID-Zähler erfasst und vom Ladegerät an das Charge Point Management System (CPMS) übertragen.



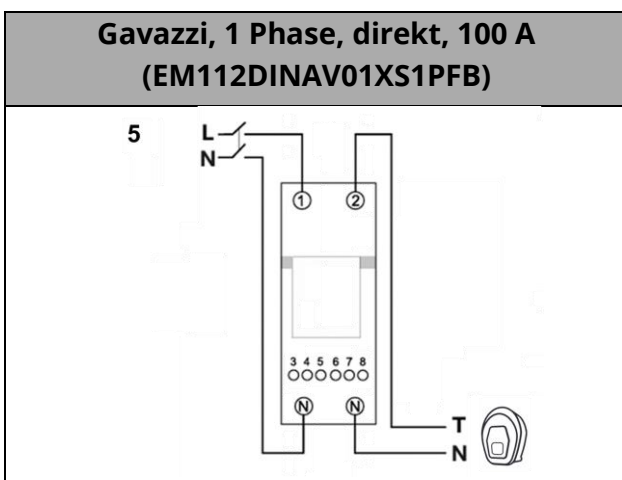
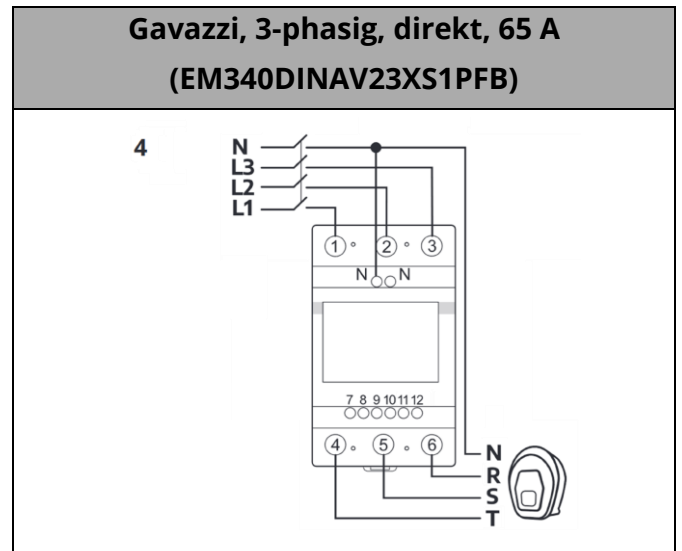
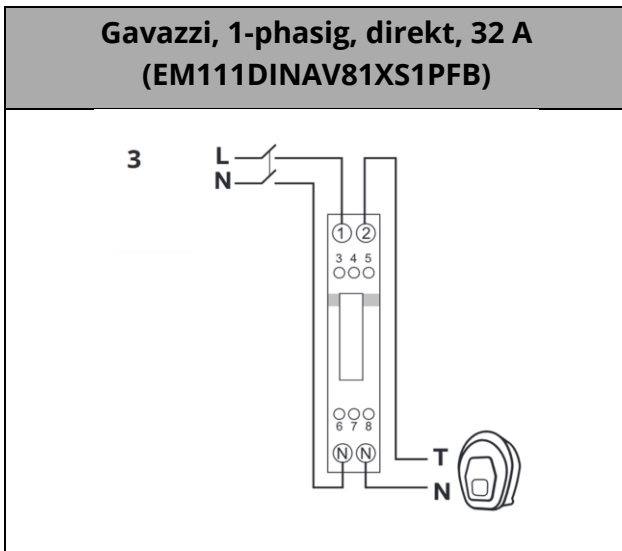
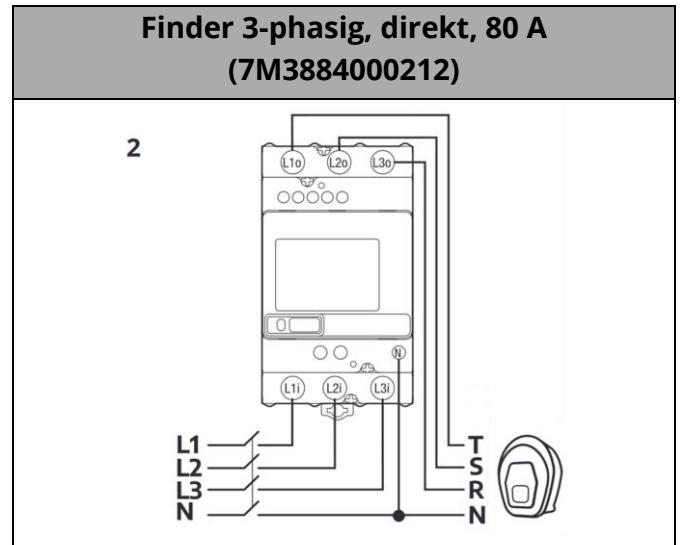
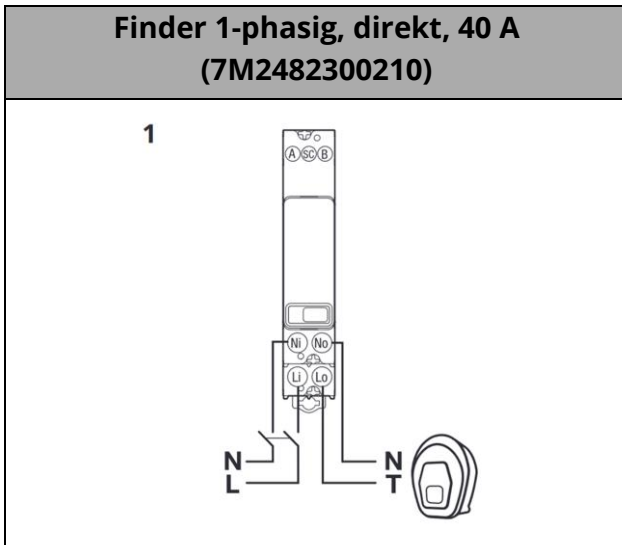
WARNUNG

Die Leistung des Ladegerätes muss während dieses Schrittes ausgeschaltet bleiben.

Schließen Sie den MIDcounter an die gleiche Stromleitung wie das Ladegerät an, nach den elektrischen Schutzvorrichtungen.



Siehe die nachstehenden Diagramme für den einphasigen und dreiphasigen elektrischen Anschluss von MIDcounter (Finder und Gavazzi).

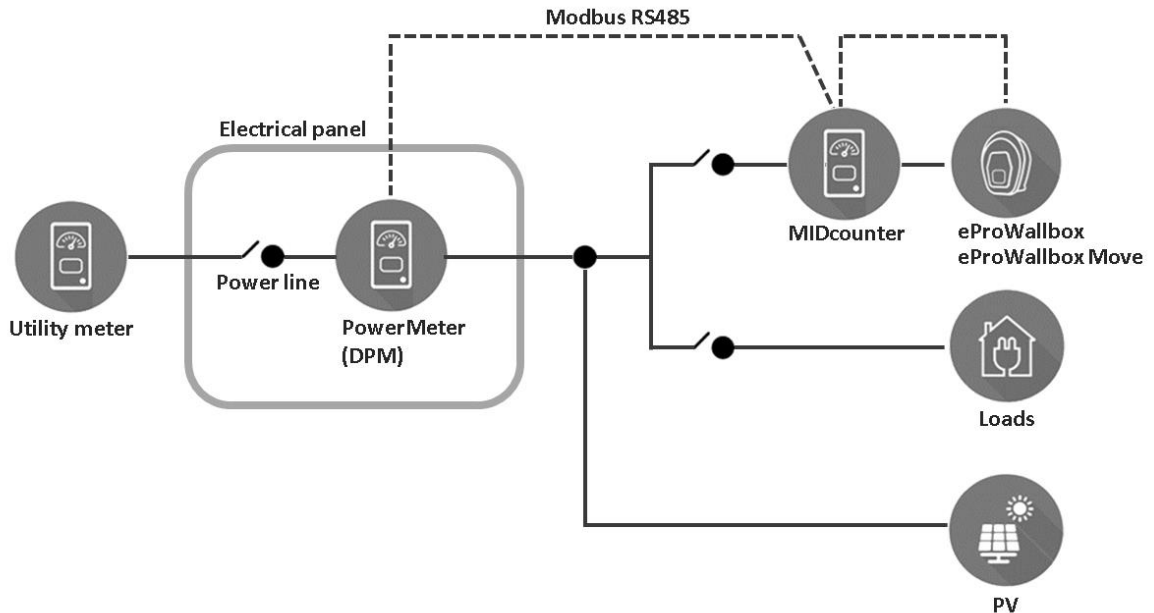


➔ Die RS485-Kommunikationsverbindung wird in 4.9.

4.8.3. Kombinierte Installation von PowerMeter (DPM) und MIDcounter

Platzieren Sie den PowerMeter (DPM) hinter dem Verbrauchszähler.

Schließen Sie den MIDcounter an die gleiche Stromleitung wie das Ladegerät an, nach den elektrischen Schutzvorrichtungen.



HINWEIS 1

1) Wenn eine PV-Anlage vorhanden ist, sollte der PowerMeter zwischen dem Verbrauchszähler und dem PV-Anschlusspunkt platziert werden.

2) Wenn ein Energiespeicher im Haus vorhanden ist, sollte der PowerMeter zwischen dem Anschlusspunkt des Energiespeichers und dem Messfühler für den Energiespeicher platziert werden.

- ➔ Für die elektrischen Anschlüsse von PowerMeter (DPM) und MIDcounter, siehe 4.8.1 und 4.8.2.
- ➔ Die RS485-Kommunikationsverbindung wird in 4.9.

4.9. Modbus RS485 Kommunikationsverbindungen

Wie in 3.6 ist das Ladegerät mit 2x RS485-Anschlüssen (CN9 /CN10) für die Kommunikation mit:

- Zusätzliche Ladegeräte im M/S-Netz.
-OR-
- Ein Energiemanagementsystem (EMS) oder ein anderes Modbus-Gerät.

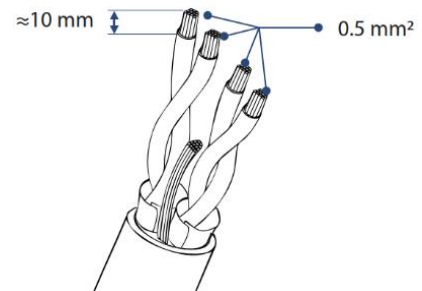
Und 1x zusätzlicher RS485-Anschluss (CN12) für die Kommunikation mit einem Zähler-Zubehör:

- PowerMeter (DPM) für Dynamic Power Management.
-UND/ODER-
- MIDcounter-zertifizierter Energiezähler.

In diesem Abschnitt werden die Anforderungen an die RS485-Leitung und das allgemeine Anschlussverfahren beschrieben.

Anforderungen an das RS485-Kabel

- Modbus RS485 verdreht STP 2x2 AWG24 oder S/FTP Kat.7 geeignet für die Installation mit einer 400V Stromleitung
- Leitergröße: 0,5 mm²
- Abisolierlänge: 10 mm
- Empfohlene maximale Länge: 150 m



Anschlussverfahren

- 1) Entfernen Sie am Ladegerät die Schutzkappe von der Einführungsstelle der Kommunikationskabel und führen Sie den Wellmantel \varnothing 25 mm ein.
- 2) Ziehen Sie die Verbindung zwischen Kasten und Kabelmantel fest.
- 3) Stecken Sie das Kommunikationskabel ein, indem Sie es so lang ziehen, dass es den Kommunikationsanschluss erreicht, wobei Sie etwas Spielraum lassen.

HINWEIS: Die Kommunikationskabel müssen in korrektem Abstand zu den Elektronikplatinen und seitlich zwischen der Platine und dem Kunststoffsockel verlegt werden.

- 4) Schließen Sie das Kommunikationskabel an den entsprechenden Anschluss an, wie in den folgenden Abschnitten beschrieben.
- 5) Wiederholen Sie den Vorgang für jedes Kommunikationskabel, das Sie installieren möchten.
- 6) An jedem Ende der RS485-Leitung sollte ein 120 Ω -Abschlusswiderstand installiert werden. Der Widerstand ist standardmäßig im Ladegerät vorhanden.



WARNUNG

Nicht benutzte Öffnungen müssen mit den mitgelieferten Schutzkappen verschlossen werden, um die IP-Schutzart zu gewährleisten.

4.9.1. Anschluss von PowerMeter (DPM)

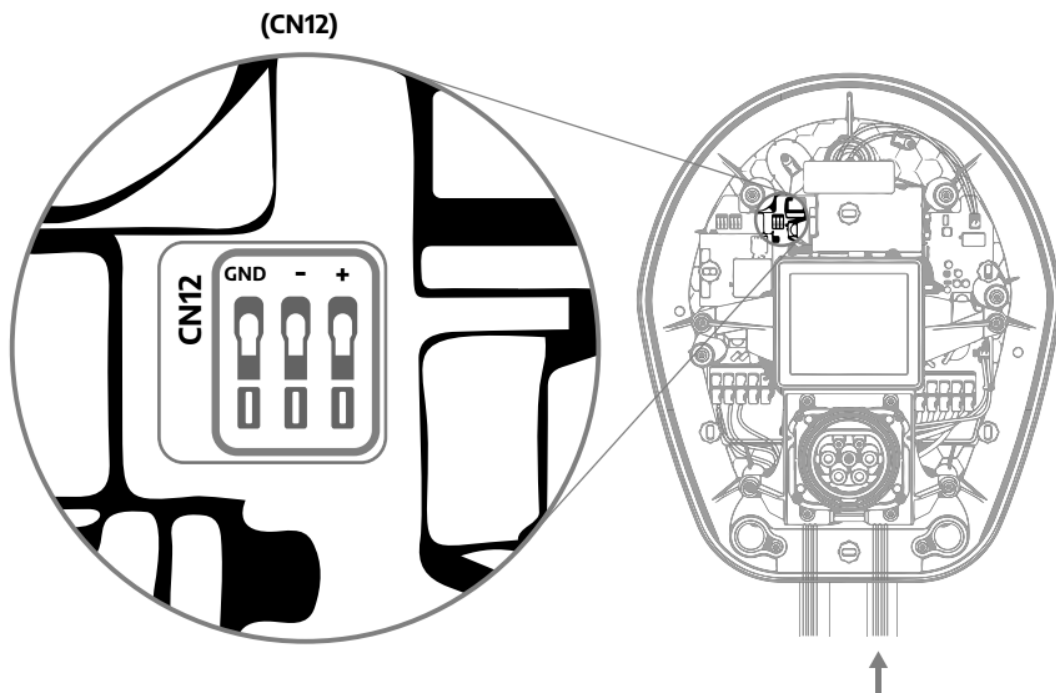
Schließen Sie den PowerMeter (DPM) über RS485 an, nachdem Sie die elektrische Installation wie in 4.8.1.

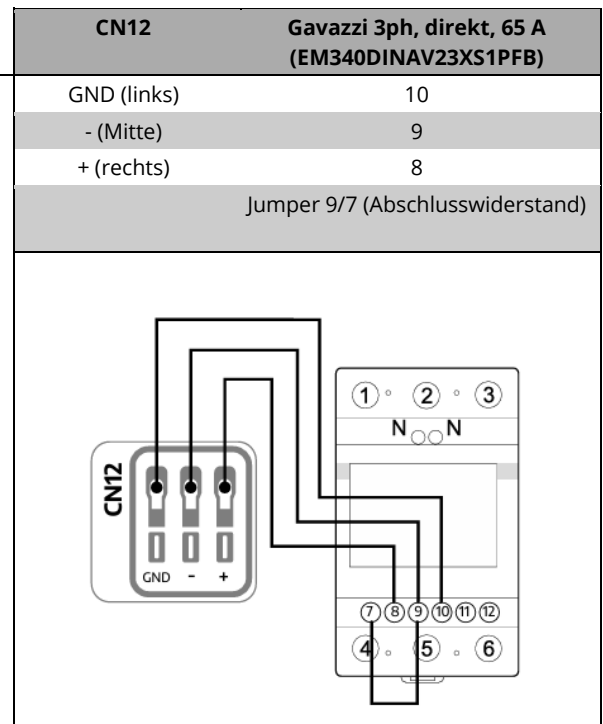
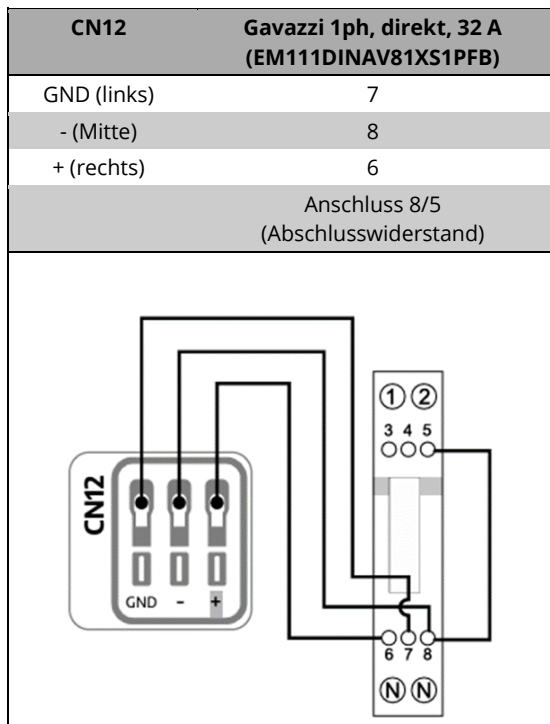
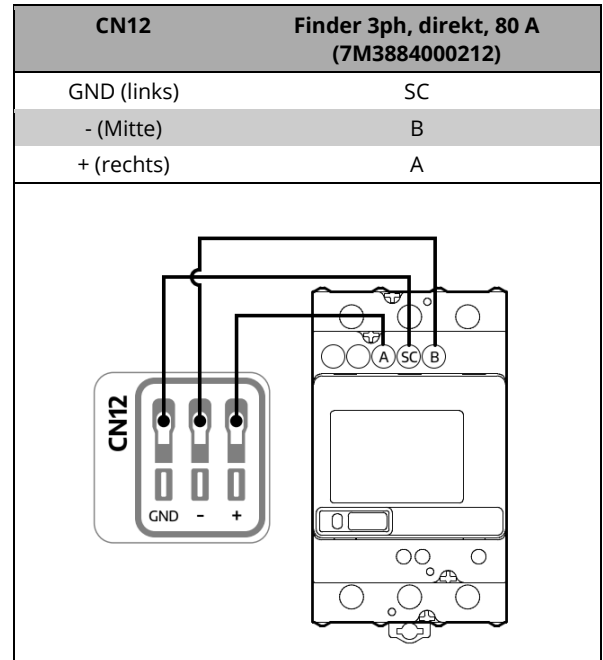
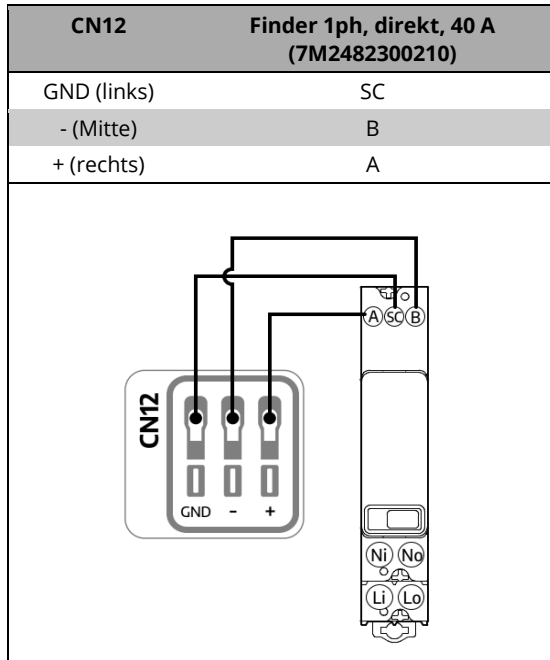
Verwenden Sie, wie in den Abbildungen unten gezeigt, den CN12-Anschluss mit der folgenden Pin-Belegung:

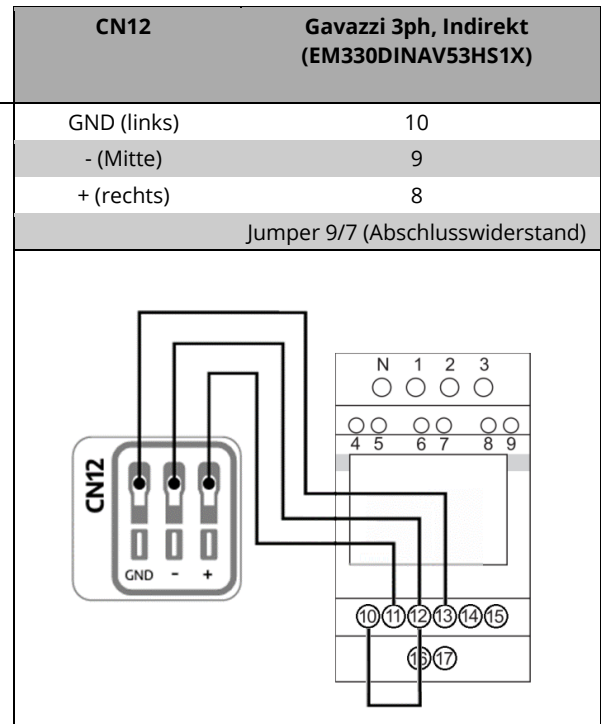
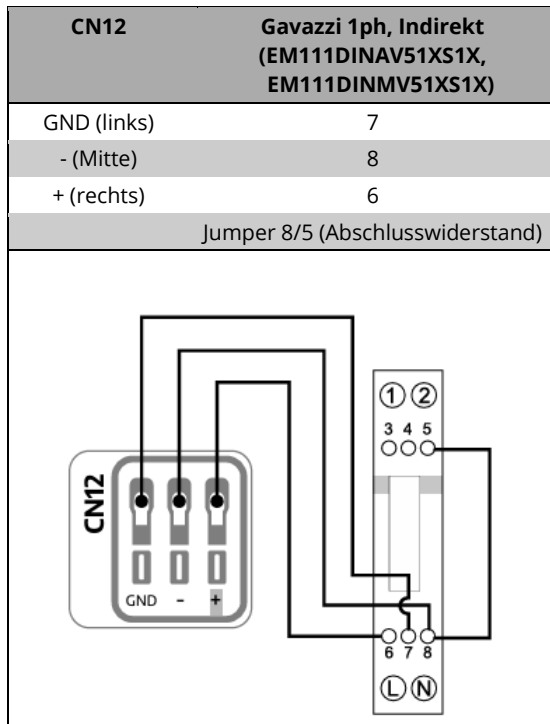
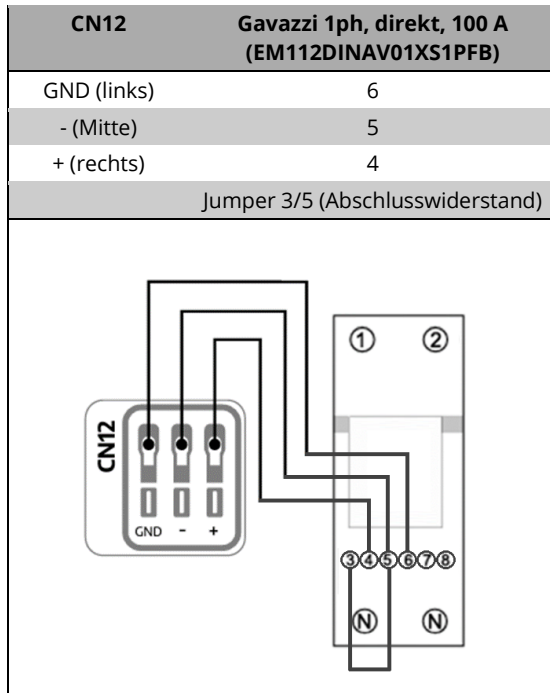
- **Links = GND**
- **Mitte = -**
- **Rechts = +**

Je nach Modell des PowerMeter (DPM) finden Sie die Anschlussbelegung in einer der folgenden Tabellen.

→ Wenn die Installation sowohl PowerMeter (DPM) als auch MIDcounter umfasst, siehe 4.9.3.







➔ Nach dem Einschalten (4.11) muss der PowerMeter (DPM) konfiguriert werden, wie in 5.2.

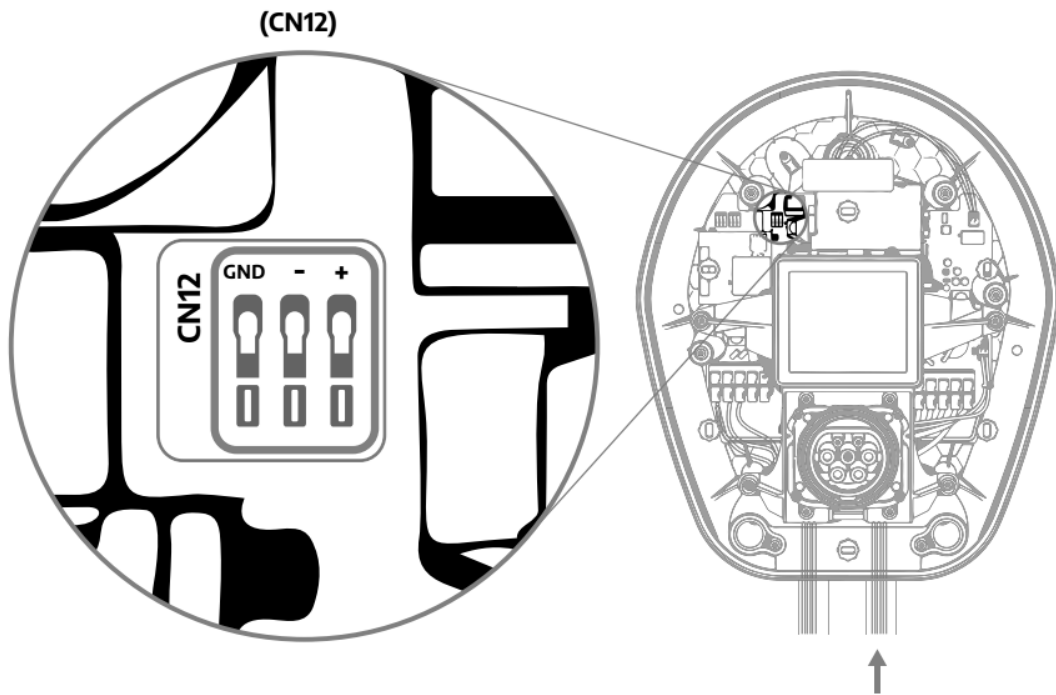
4.9.2. Anschluss des MID Zählers

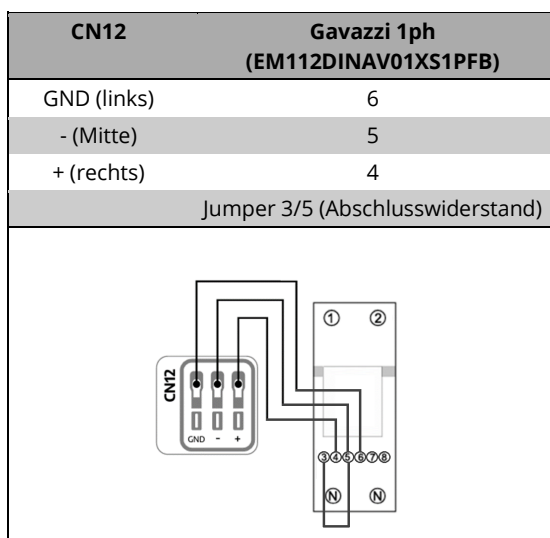
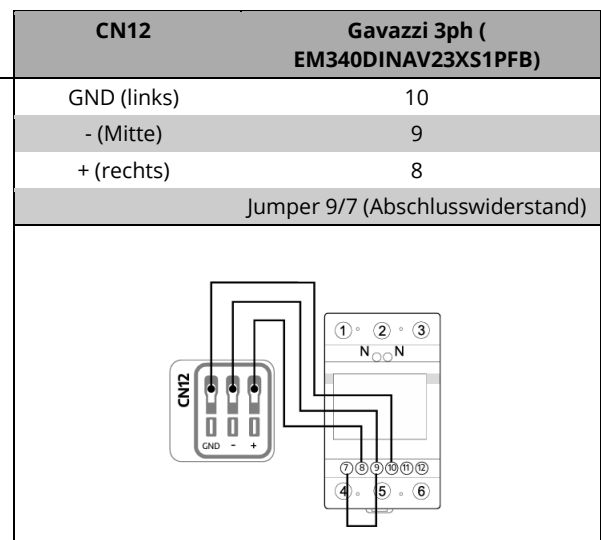
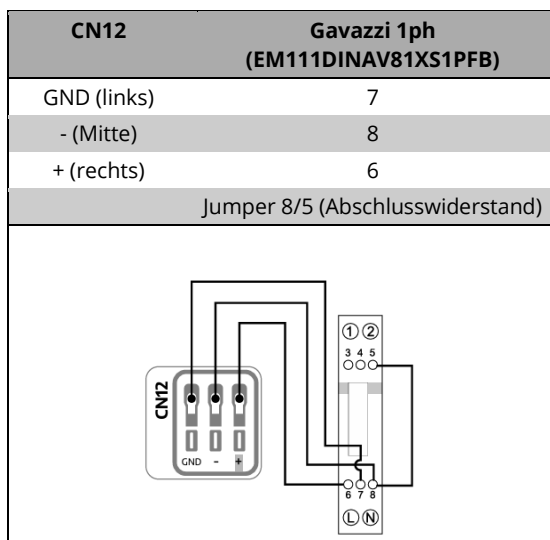
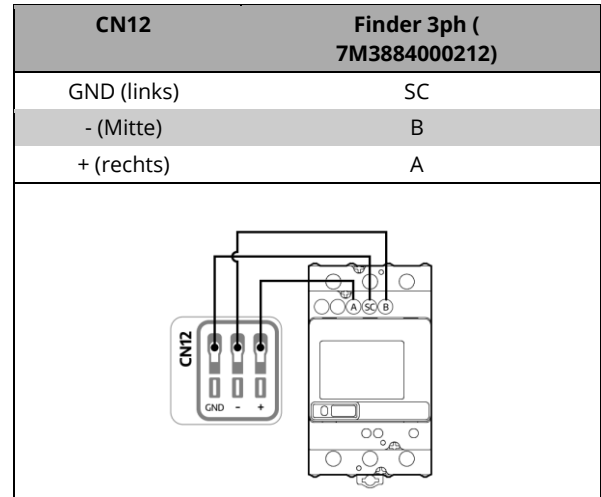
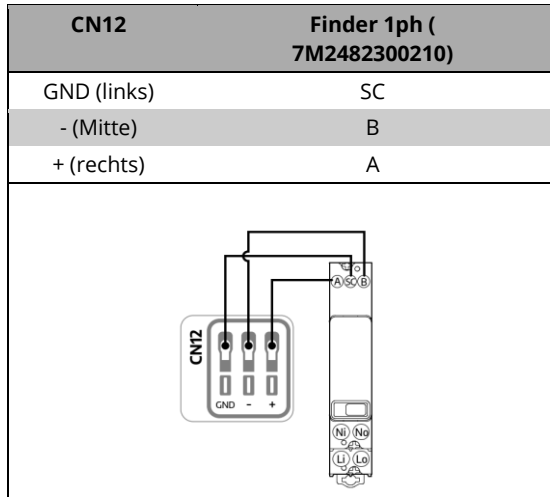
Schließen Sie den MIDcounter über RS485 an, nachdem Sie die elektrische Installation wie in 4.8.2. Wie in der Abbildung gezeigt, verwenden Sie den Anschluss CN12 mit der folgenden Pinbelegung:

- **Links = GND**
- **Mitte = -**
- **Rechts = +**

Je nach Modell des MID-Zählers finden Sie die Anschlussbelegung in einer der folgenden Tabellen.

→ Wenn die Installation sowohl PowerMeter (DPM) als auch MIDcounter umfasst, siehe 4.9.3.





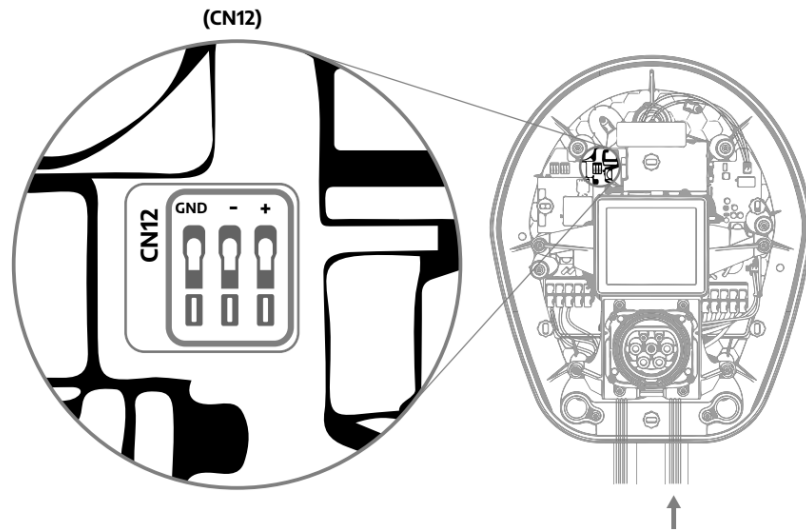
➔ Nach dem Einschalten (4.11) muss der MID-Zähler konfiguriert werden, wie in 5.2.

4.9.3. Anschluss von PowerMeter (DPM) und MID Zähler

Verbinden Sie den PowerMeter (DPM) und den MID-Zähler über RS485, nachdem Sie die elektrische Installation wie in 4.8.3.

Wie in der Abbildung gezeigt, verwenden Sie den Anschluss CN12 mit der folgenden Pinbelegung:

- **Links = GND**
- **Mitte = -**
- **Rechts = +**



→ Je nach Modell des PowerMeter (DPM) und des MIDcounters finden Sie die Anschlussbelegung in einer der folgenden Tabellen.

PowerMeter (DPM)	MID-Zähler	Ladegerät	PowerMeter (DPM)	MID-Zähler	Ladegerät
DPM, Gavazzi, 1ph, Indirekt 100 A /60A (EM111DINAV51XS1X, EM111DINMV51XS1X)	MID, Gavazzi, 1ph, direkt, 32 A (EM111DINAV81XS1PFB)	CN12	DPM, Gavazzi, 3ph, Indirekt, 150 A (EM330DINAV53HS1X)	MID, Gavazzi, 3ph, direkt, 65 A (EM340DINAV23XS1PFB)	CN12
GND (7)	GND (7)	GND	GND (13)	GND (10)	GND
A-(8) / T*(5)	A- (8)	-	A-(12) / T*(10)	A-(9)	-
B+(6)	B+ (6)	+	B+ (11)	B+ (8)	+
DPM, Gavazzi, 1ph, Indirekt 100 A / 60 A (EM111DINAV51XS1X, EM111DINMV51XS1X)	MID, Finder, 1ph, direkt, 40 A (7M2482300210)	CN12	DPM, Gavazzi, 3ph, Indirekt, 150 A (EM330DINAV53HS1X)	MID, Finder, 3ph, direkt, 80 A (7M3884000212)	CN12
GND (7)	SC	GND	GND (13)	SC	GND
A-(8) / T*(5)	B-	-	A-(12) / T*(10)	B-	-
B+(6)	A+	+	B+ (11)	A+	+
DPM, Gavazzi, 1ph, direkt, 32 A (EM111DINAV81XS1PFB)	MID, Gavazzi, 1ph Direkt, 32 A (EM111DINAV81XS1PFB)	CN12	DPM, Gavazzi, 3ph Direkt, 65 A (EM340DINAV23XS1PFB)	MID, Gavazzi, 3ph Direkt, 65 A (EM340DINAV23XS1PFB)	CN12
GND (7)	GND (7)	GND	GND (10)	GND (10)	GND
A-(8) / T*(5)	A- (8)	-	A-(9) / T*(7)	A-(9)	-
B+(6)	B+ (6)	+	B+ (8)	B+(8)	+
DPM, Gavazzi, 1ph, direkt, 32 A (EM111DINAV81XS1PFB)	MID, Finder, 1ph Direkt, 40 A (7M2482300210)	CN12	DPM, Gavazzi, 3ph Direkt, 65 A (EM340DINAV23XS1PFB)	MID, Finder, 3ph Direkt, 80 A (7M3884000212)	CN12
GND (7)	SC	GND	GND (10)	SC	GND
A- (8) / T*(5)	B-	-	A-(9) / T*(7)	B-	-
B+(6)	A+	+	B+(8)	A+	+
DPM, Gavazzi, 1ph, direkt, 100 A (EM112DINAV01XS1PFB)	MID, Gavazzi, 1ph, direkt, 100 A (EM112DINAV01XS1PFB)	CN12	DPM, Gavazzi, 1ph, direkt, 100 A (EM112DINAV01XS1PFB)	MID, Finder, 1ph Direkt, 40 A (7M2482300210)	CN12
GND (6)	GND (6)	GND	GND (6)	SC	GND
A- (5) / T*(3)	A- (5)	-	A- (5) / T*(3)	B-	-
B+(4)	B+(4)	+	B+(4)	A+	+
DPM, Finder, 1ph, direkt, 40 A (7M2482300210)	MID, Gavazzi, 1ph Direkt, 32 A (EM111DINAV81XS1PFB)	CN12	DPM, Finder, 3ph Direkt, 80 A (7M3884000212)	MID, Gavazzi, 3ph Direkt, 65 A (EM340DINAV23XS1PFB)	CN12
SC	GND (7)	GND	SC	GND (10)	GND
B-	A-(8)	-	B-	A-(9)	-
A+	B+(6)	+	A+	B+(8)	+
DPM, Finder, 1ph, direkt, 40 A (7M2482300210)	MID, Finder, 1ph Direkt, 40 A (7M2482300210)	CN12	DPM, Finder, 3ph Direkt, 80 A (7M3884000212)	MID, Finder, 3ph Direkt, 80 A (7M3884000212)	CN12
SC	SC	GND	SC	SC	GND
B-	B-	-	B-	B-	-
A+	A+	+	A+	A+	+

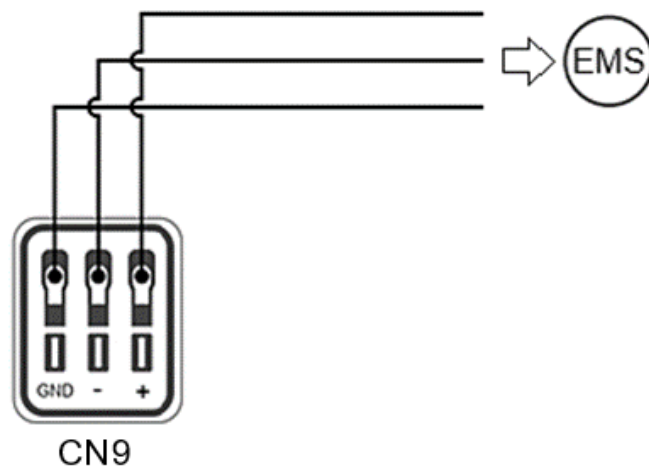
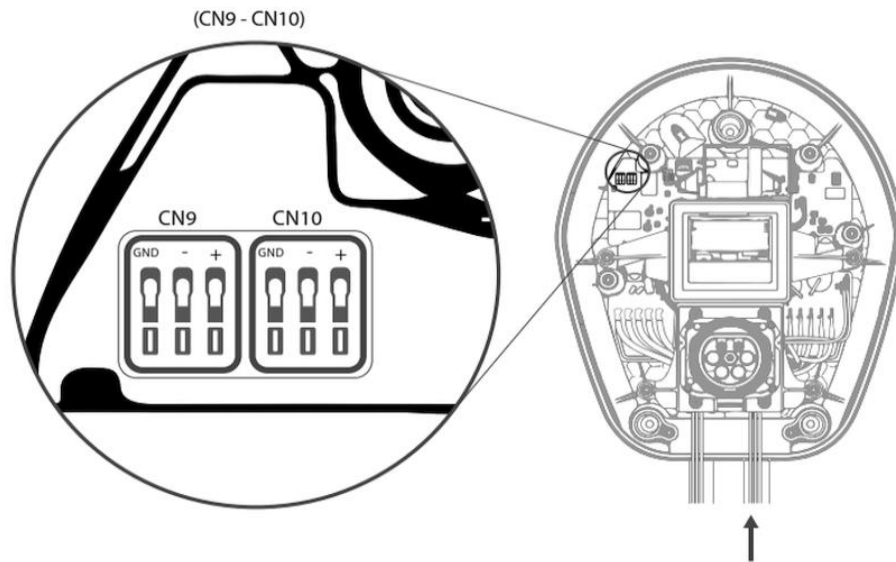
(* Gavazzi-Modelle haben einen eingebauten Abschlusswiderstand, der durch Jumper an diesen Klemmen aktiviert werden kann.

➔ Nach dem Einschalten (4.11) müssen der PowerMeter (DPM) und der MID-Zähler konfiguriert werden, wie in 5.2.

➔ Anschluss von EMS an Modbus RS485

Verwenden Sie, wie in der Abbildung unten dargestellt, den Anschluss CN9 mit der folgenden Pinbelegung:

- Links = GND
- Mitte = -
- Rechts = +



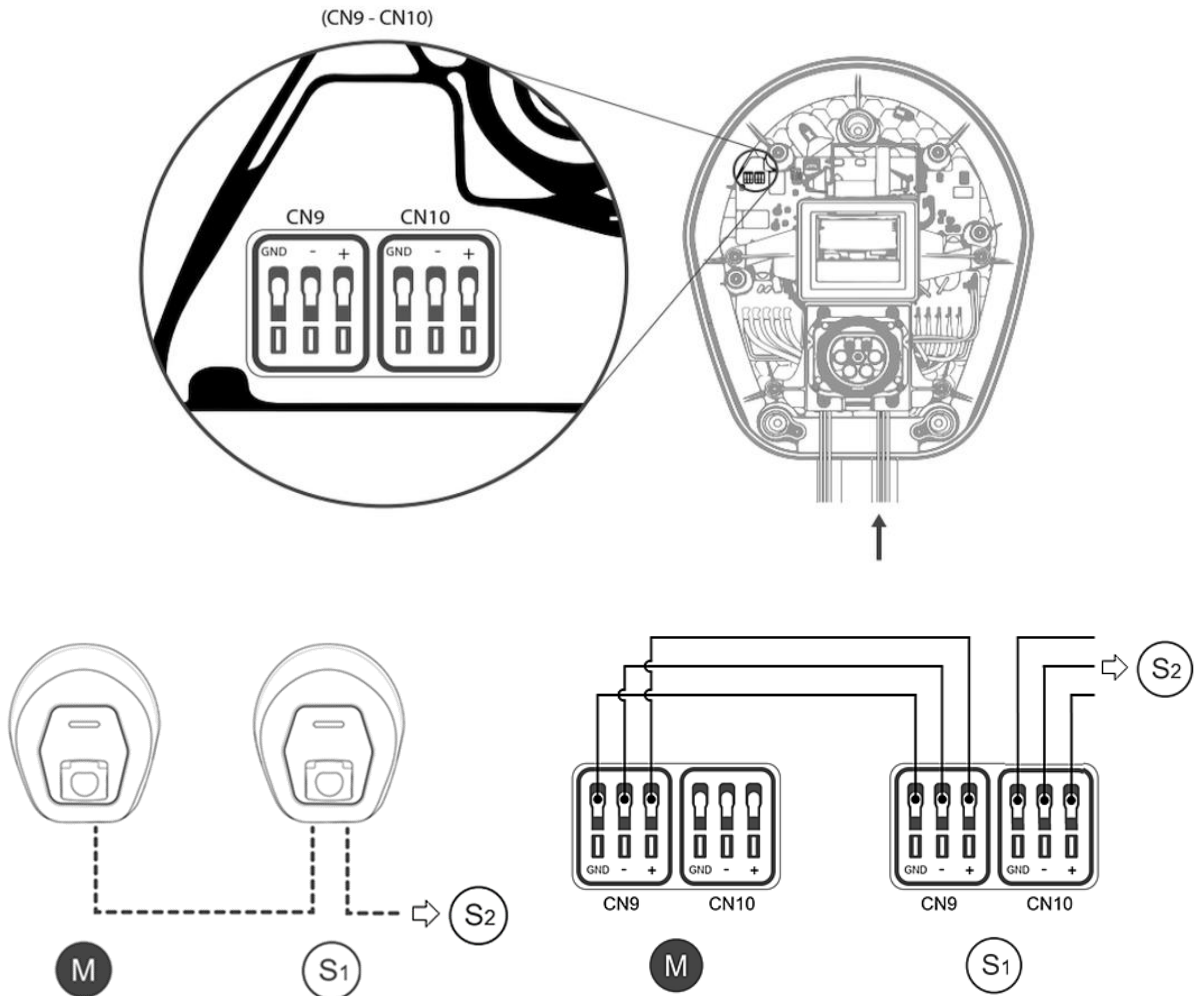
- ➔ Die EMS-Konfiguration in der Installer-App wird in **Error! Reference source not found..**
- ➔ Die EMS-Funktionen basieren auf Modbus, wie in der Dokumentation der Modbus Maps beschrieben. Siehe 1.4.

4.9.4. Anschluss von Ladegeräten an das M/S Chargers Netzwerk

Das Hauptladegerät kann über Modbus RS485 in Daisy-Chain-Konfiguration mit den Satellitenladegeräten verbunden werden (siehe **Error! Reference source not found.**).

Verwenden Sie die Anschlüsse CN9 und CN10 mit der folgenden Pinbelegung, wie in den Abbildungen unten dargestellt:

- Links = GND
- Mitte = -
- Rechts = +



➔ Nach dem Einschalten (4.11) muss das M/S Ladegerät-Netzwerk in der Installer-App konfiguriert werden, wie in **Error! Reference source not found.**

4.10. Ethernet-Verbindung

Wie in 3.6 dargestellt, ist das Ladegerät mit einem Ethernet-Anschluss für:

- OCPP-Verbindung über das Internet.
-AND-
- Modbus TCP/IP-Verbindung zu einem externen Energiemanagementsystem (EMS) oder Gerät.
- Kundenservice.

Anforderungen an Ethernet-Kabel

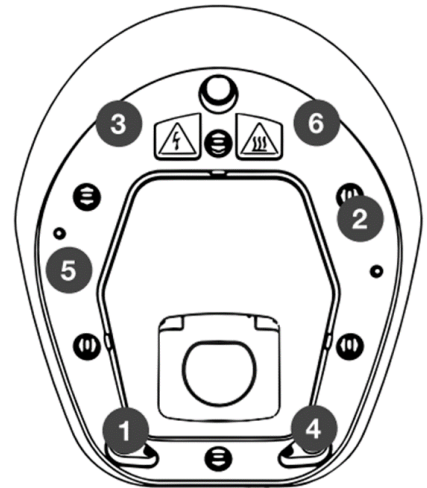
- Kabel-Typ: Ethernet S/FTP Kat.7
 - Maximale Länge zum Router/Switch: 110 m
 - Anschluss: RJ45-Steckverbindung
- ➔ Standardmäßig ist die Ethernet-Verbindung mit DHCP-Einstellungen aktiv. Sie kann deaktiviert oder neu konfiguriert werden, wie in 5.5.

4.11. Systemprüfung, Schließen und Einschalten

Überprüfen Sie vor dem Einschalten, ob die Stromversorgungskabel ordnungsgemäß angeschlossen sind, und stellen Sie sicher, dass die jeweiligen Positionen der Phasen und des Nullleiters in der Klemmleiste CN1 den Markierungen entsprechen.

Abschluss des Verfahrens

- 1) Setzen Sie die Abdeckung wieder auf
- 2) Ziehen Sie die zuvor entfernten Schrauben in der in der Abbildung gezeigten Reihenfolge 1-6 an. Verwenden Sie ein Anzugsdrehmoment von 2,5 Nm.
- 3) Setzen Sie den Außenrahmen wieder auf, indem Sie die Gummilasche in den Schlitz drücken und einen leichten Druck ausüben.
- 4) Schalten Sie die Leistung ein, indem Sie den vorgeschalteten Schutzschalter einschalten.
- 5) Warten Sie, bis sich die LED-Leiste oder das Display einschaltet.



HINWEIS

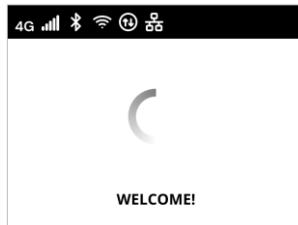
Das Ladegerät leuchtet möglicherweise nicht sofort nach dem Einschalten auf.

Dies kann bis zu 30 Sekunden dauern.

4.11.1. eProWallbox Bildschirme


In diesem Abschnitt sind die Bildschirme der **eProWallbox** aufgeführt. Das Modell **eProWallbox Move** ist mit einer LED-Leiste ausgestattet, wie in 4.11.2.

Bildschirme zum Aufladen session



Willkommensnachricht, die ein Markenlogo enthalten kann. Nach dem Einschalten des Geräts kann es bis zu 30 Sekunden dauern, bis die Anzeige erscheint.

Die Symbole in der Kopfzeile zeigen aktive Kommunikation an. Einige Symbole können je nach Modell und Konfiguration angezeigt werden oder nicht.

4G  4G LTE, mit Signalbalken




Bluetooth



Wi-Fi, mit Signalbalken

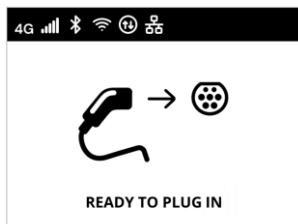


Aktive Verbindung mit CPMS.

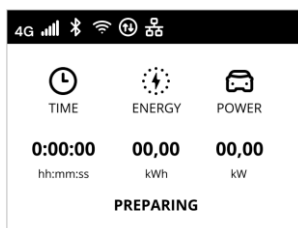
Das alternative Symbol  zeigt einen Kommunikationsfehler an.



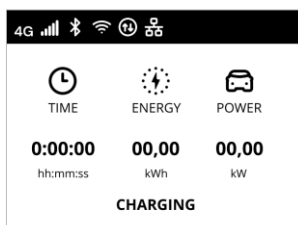
Ethernet-Kabel angeschlossen



Der Bildschirm **BEREIT ZUM ANSCHLIESSEN** ist der Standardbildschirm im Autostart-Modus und erscheint nach erfolgreicher Autorisierung. Er fordert Sie auf, das Ladekabel einzulegen, um den Ladevorgang zu starten.

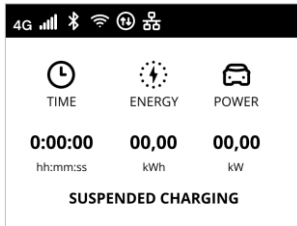


Einige Sekunden lang zeigt der Bildschirm **PREPARING** an, dass der Ladevorgang vorbereitet wird. Wenn dieser Bildschirm weiterhin angezeigt wird, bedeutet dies, dass DPM oder andere Lastausgleichsfunktionen den Beginn des Ladevorgangs verhindern. Der Ladevorgang wird gestartet, sobald die Bedingungen es zulassen.

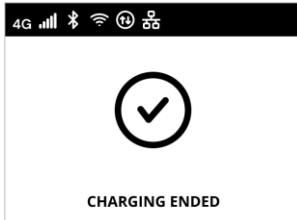


Der Bildschirm **LADEN** zeigt die Parameter der laufenden Sitzung an:

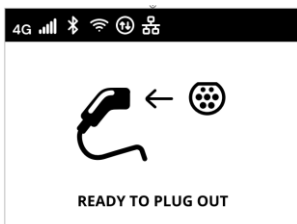
- ZEIT: Dauer des Ladevorgangs
- ENERGIE: Vom Fahrzeug aufgenommene Energie
- LEISTUNG: Aktuelle Ladeleistung



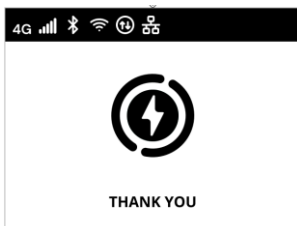
Der Bildschirm SUSPENDED CHARGING zeigt an, dass der Ladevorgang durch den DPM oder das EV unterbrochen wurde. Der Ladevorgang wird automatisch wieder aufgenommen, wenn die Bedingungen es zulassen.



Der Bildschirm LADEN ENDE zeigt 3 Sekunden lang das Ende des Ladevorgangs an.

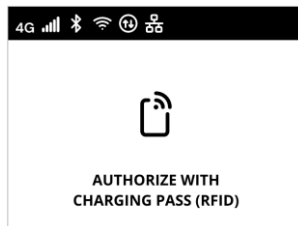


Der Bildschirm BEREIT ZUM AUSSTEECKEN erscheint 3 Sekunden lang, um anzuzeigen, dass das Ladekabel entfernt werden sollte.

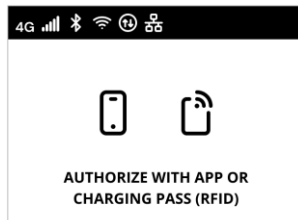


Dieser Bildschirm zum Ende der Sitzung wird etwa 5 Sekunden lang angezeigt. Der Bildschirm kann ein Markenlogo enthalten.

Zugriffsberechtigungsbildschirme

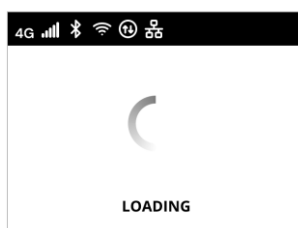


Der Bildschirm AUTORISIEREN MIT CHARGING PASS (RFID) erscheint, wenn der Betriebsmodus Autorisierung aktiviert ist. Um den Ladevorgang zu starten, müssen Sie per RFID-Karte autorisiert werden.

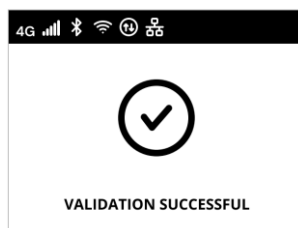


Der Bildschirm AUTORISIERUNG MIT APP ODER CHARGING PASS (RFID) erscheint, wenn der Betriebsmodus Autorisierung aktiviert und CPMS angeschlossen ist.

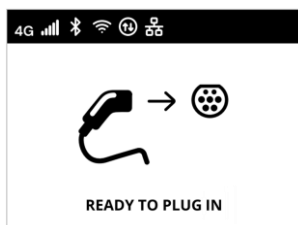
Um den Ladevorgang zu starten, müssen Sie per App oder RFID-Karte autorisiert werden.



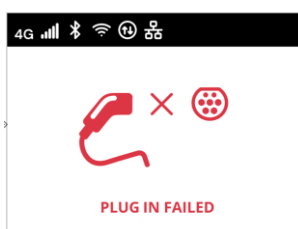
Das Bild LOADING zeigt an, daß die Berechtigungsparameter geprüft werden.



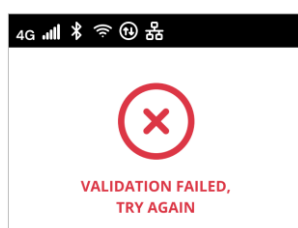
Der Bildschirm VALIDIERUNG ERFOLGREICH bestätigt 3 Sekunden lang den autorisierten Zugriff.



Nach der Autorisierung zeigt der Bildschirm BEREIT ZUM EINSTEECKEN an, dass Sie mit dem Laden beginnen können. Beachten Sie, dass Sie 60 Sekunden Zeit haben, den Ladestecker anzuschließen.

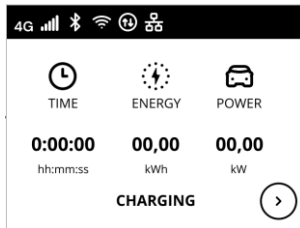


Der Bildschirm PLUG-IN FAILED zeigt an, dass innerhalb von 60 Sekunden kein Kabel eingesteckt wurde und der autorisierte Zugriff abgelaufen ist. Sie müssen den Vorgang erneut starten.

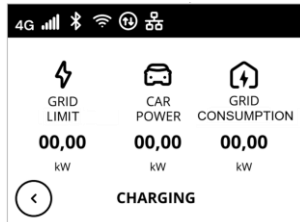


Der Bildschirm VALIDIERUNG FEHLGESCHLAGEN, WIEDERHOLEN erscheint für 5 Sekunden, um anzuzeigen, dass der Autorisierungsversuch fehlgeschlagen ist. Überprüfen Sie Ihre Autorisierungsmethode und starten Sie den Vorgang erneut.

DPM-Informationsbildschirme



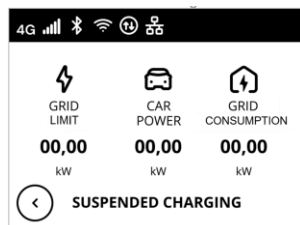
Wenn PowerMeter (DPM) installiert ist, steht unten rechts auf dem Ladebildschirm eine Schaltfläche zur Verfügung, mit der die Informationen zum Dynamic Power Management angezeigt werden.



Der Bildschirm CHARGING/DPM zeigt die DPM-Informationen der laufenden Sitzung an:

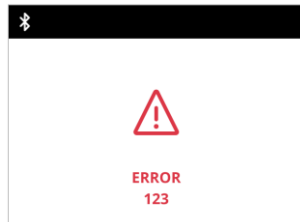
- GRID LIMIT: Grenzwert für die Vertragsleistung
- CAR POWER: vom Fahrzeug aufgenommene Leistung
- GRID CONSUMPTION: vom Netz aufgenommene Leistung

Drücken Sie die Taste unten links auf dem Bildschirm, um zurückzukehren.



Auf die gleiche Weise wie oben können die DPM-Informationen auf dem Bildschirm LADUNG UNTERBROCHEN und auf dem Bildschirm VORBEREITUNG angezeigt werden.

Bildschirme für Fehlerbedingungen



Der Bildschirm ERROR meldet einen Fehlerzustand mit dem Fehlercode. Siehe Fehlersuche in Abschnitt 6.

Andere Bildschirme



SOFTWARE-AKTUALISIERUNG IM GANGE. Warten Sie, bis die Aktualisierung abgeschlossen ist.



VERZÖGERUNG, bevor der Ladevorgang beginnt.

4.11.2. eProWallbox Move LED-Leiste

HINWEIS: Dieser Abschnitt gilt nur für die **eProWallbox Move** LED-Leiste. Das Modell **eProWallbox** ist mit einem Display ausgestattet, wie in 4.11.1.

Verhalten der LED-Leiste

Sobald das Ladegerät eingeschaltet ist, blinkt die LED-Leiste in einer Reihe von Farben. Dann kann der Status des Ladegeräts leicht durch die Farben und das Verhalten der vorderen LED überwacht werden.

Wenn das Ladegerät eingeschaltet ist, leuchtet die LED-Leiste in einer roten, grünen und blauen Farbabfolge. Wenn dieser Zustand anhält, wenden Sie sich an den Kundendienst (siehe Abschnitt 9).



	BLAU	GRÜN	ROT	GELB
PULSING	Vorbereiten der Ladung	Ladevorgang läuft		Software-Aktualisierung
SOLID	Bereit zum Einstecken (Autostart) oder Autorisieren mit App (Autorisierung)	Der Ladevorgang wird von DPM oder EV ausgesetzt (z. B. Vollladung).		Ladegerät nicht verfügbar/gesperrt
FLASHING		Bereit zum Ausstecken	Fehler entdeckt	

HINWEIS
Das Verhalten der LEDs kann je nach Softwareversion variieren.

5. INBETRIEBNAHME

5.1. Arbeitsablauf bei der Inbetriebnahme

Führen Sie die in den folgenden Abschnitten beschriebenen Schritte je nach Ihren spezifischen Installationsanforderungen aus.

- 1) Konfigurieren Sie PowerMeter (DPM) und MIDcounter. Siehe . 5.2.
- 2) Starten Sie PowerUp (die Installer-App). Siehe . 5.3.
- 3) Konfigurieren Sie bei Bedarf die Wi-Fi-Einstellungen. Siehe . 5.4.
- 4) Konfigurieren Sie bei Bedarf die Ethernet-Einstellungen. Siehe . 5.5.
- 5) Status und Ladegerät-Parameter anzeigen. Siehe 5.6 und 5.7.
- 6) Überprüfen und aktualisieren Sie die Firmware-Version. Siehe 5.8.
- 7) Stellen Sie die Betriebsart ein. Siehe . 5.9.
- 8) Überprüfen Sie die maximale Leistung und stellen Sie sie gegebenenfalls ein. Siehe . 5.10.
- 9) Falls installiert, konfigurieren Sie den PowerMeter (DPM) in der App. Siehe . 5.11.
- 10) Falls installiert, konfigurieren Sie den MID-Zähler in der App. Siehe . 5.11.
- 11) Passen Sie ggf. die länderspezifischen Einstellungen an. Siehe . 5.13.
- 12) Konfigurieren Sie bei Bedarf das M/S Ladegeräte-Netzwerk. Siehe . **Error! Reference source not found..**
- 13) Konfigurieren Sie das EMS, falls erforderlich. Siehe . **Error! Reference source not found..**
- 14) Wenn die SIM-Karte ausgetauscht werden soll, konfigurieren Sie die Internet-Mobilparameter. Siehe . 5.14.
- 15) Konfigurieren Sie bei Bedarf die Backend-OCPP-Verbindung. Siehe . 5.15.
- 16) Stellen Sie sicher, dass Sie das Ladegerät neu starten, damit alle Änderungen wirksam werden.
- 17) Ziehen Sie bei Bedarf die Diagnosefunktion zu Rate, um die Fehlerbedingungen zu beheben. Siehe . 5.16.

5.2. Konfiguration von PowerMeter (DPM) und MID-Zähler

Wenn die elektrischen und kommunikationstechnischen Installationen abgeschlossen sind, können Sie den Zähler für die Leistung (DPM) und/oder den MID-Zähler (im Folgenden als Energiezähler bezeichnet) einschalten. Sie müssen dann mit der Konfiguration auf dem Display des Energiezählers fortfahren.

Die Konfiguration ist je nach Modell unterschiedlich.

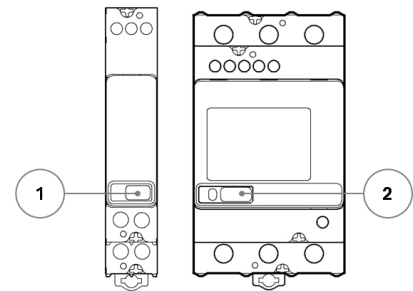
- ➔ Nach der hier beschriebenen lokalen Konfiguration wird im Workflow der Inbetriebnahme (siehe Abschnitt 5), muss der Zähler auch in der Installateur-App konfiguriert werden (siehe 5.11).

5.2.1. Finder-Modelle konfigurieren

Allgemeine Regeln für den Finder-Touchscreen:

- Drücken Sie je nach Modell die Taste 1 oder 2, um durch die Menü- und Parameterpunkte zu blättern.
- Halten Sie die Taste (1 oder 2) gedrückt (~2 Sekunden), um die Auswahl des aktuellen Elements zu bestätigen.

Weitere Informationen finden Sie im Finder-Benutzerhandbuch.



Verfahren zur Konfiguration

- 1) Um in das Hauptmenü zu gelangen, halten Sie den Knopf (1 oder 2) gedrückt, bis der Displaytext blinkt.
- 2) Blättern Sie mit dem Knopf (1 oder 2) durch das MAIN-Menü und halten Sie den Menüpunkt **SET** oder **SETTINGS** gedrückt.
HINWEIS: Je nach Modell passen sich die Namen der Menüpunkte der Breite des Displays an.
- 3) Blättern Sie durch das Menü **EINSTELLUNG/EINSTELLUNGEN** und wählen Sie **KOMM** oder **KOMMUNIKATION**.
- 4) Blättern Sie durch das Menü **KOMM/COMMUNIKATION** und wählen Sie die Werte für **Geräteadresse**, **Bits pro Sekunde**, **Parität** und **Stoppbits** wie in der Tabelle unten gezeigt.
- 5) Blättern Sie und wählen Sie ESC, um zum HAUPTMENÜ zurückzukehren.

Zusätzliche Schritte nur für dreiphasige Energiezähler

- 6) Blättern Sie durch das HAUPTMenü und wählen Sie **INSTALLATION**.
- 7) Blättern Sie durch das Menü **INSTALLATION** und wählen Sie **VERBINDUNGSMODUS**.
- 8) Wählen Sie unter **VERBINDUNGSART 3L+N, L+N-Arithmetik** (Auswertung der einzelnen Phasen).
- 9) Überprüfen Sie, ob die richtige Option eingestellt ist, und geben Sie das DCBA-Passwort ein.
HINWEIS: Die Konfiguration kann nach Eingabe des DCBA-Passworts nicht mehr geändert werden.
- 10) Wenn Sie dazu aufgefordert werden, bestätigen Sie die Änderung mit **Ja**.

ALLE FINDER MODELLE	PowerMeter (DPM)	MID-Zähler
Adresse/Geräteadresse	1	2
Baud/Bits pro Sekunde	38400 Bit/s	38400 Bit/s
Parität	Sogar	Sogar
Stop/Stop-Bit	1	1

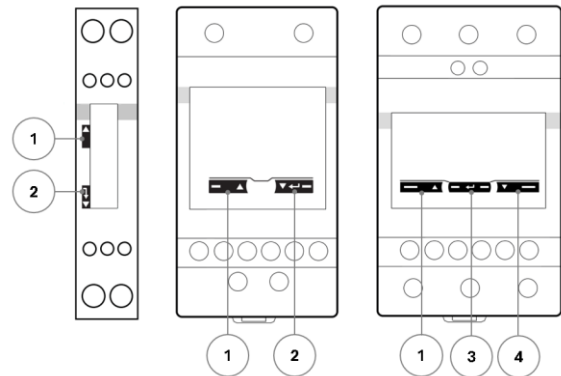
Zusätzlich für 3-phasigen Zähler		
Kommunikationsmodus	3L+N, L+N-Arithmetik	3L+N, L+N-Arithmetik
Passwort	DCBA	DCBA

5.2.2. Konfigurieren der Gavazzi-Modelle

Gavazzi Touchscreen regiert:

- Drücken Sie je nach Modell die Tasten 1 (nach oben) und 2 oder 4 (nach unten), um durch die Menü- und Parameterpunkte zu blättern.
- Halten Sie die Taste (2 oder 3) gedrückt (~2 Sekunden), um die Auswahl des aktuellen Elements zu bestätigen.

Weitere Informationen finden Sie in der Anleitung von Gavazzi.



Verfahren zur Konfiguration

- 1) Wenn Sie den Zähler zum ersten Mal einschalten, halten Sie die Taste 2 (oder 3) gedrückt, bis das Passwort auf dem Bildschirm erscheint.
- 2) Halten Sie die Knöpfe 1 und 2 (oder 1 und 4) gleichzeitig gedrückt, um das Passwort 0000 zu bestätigen und das HAUPTMENÜ aufzurufen.
- 3) Blättern Sie mit den Tasten 1 und 2 (oder 1 und 4) durch das HAUPTMENÜ und wählen Sie die in den folgenden Tabellen aufgeführten Optionen aus.

ALLE GAVAZZI-MODELLE	PowerMeter (DPM)	MID-Zähler
PASS	0000	0000
ADRESSE	001	002
BAUD	38.4	38.4
PARITÄT	Sogar	Sogar
Zusätzlich für 3-phasigen Zähler		
SYSTEM	3Pn	3Pn
ADRESSE	001	002

5.2.3. Zusammenfassung der Konfiguration des Energiezählers

Finder 1ph Direkt DPM	
GERÄTEADRESSE	_1
BITS PRO SEKUNDE (BAUD)	38400
PARITÄT	EVEN
STOPP-BIT	1

Finder 1ph Direkt MID	
GERÄTEADRESSE	_2
BITS PRO SEKUNDE (BAUD)	38400
PARITÄT	EVEN
STOPP-BIT	1

Finder 3ph Direkt DPM	
GERÄTEADRESSE	_1
BITS PRO SEKUNDE (BAUD)	38400
PARITÄT	EVEN
STOPP-BIT	1
VERBINDUNGSMODUS	3L+N, L+N - Arithmetik
PASSWORT	DCBA

Finder 3ph Direkt MID	
GERÄTEADRESSE	_2
BITS PRO SEKUNDE (BAUD)	38400
PARITÄT	EVEN
STOPP-BIT	1
VERBINDUNGSMODUS	3L+N, L+N - Arithmetik
PASSWORT	DCBA

GAVAZZI 1phDirekt/Indirekt DPM	
PASS	0000
ADRESSE	001
BAUD	38.4
PARITÄT	Sogar

GAVAZZI 1phDirekt MID	
PASS	0000
ADRESSE	002
BAUD	38.4
PARITÄT	Sogar

GAVAZZI 3phDirekt/Indirekt DPM	
PASS	0000
SYSTEM	3Pn
ADRESSE	001
BAUD	38.4
PARITÄT	Sogar

GAVAZZI 3phDirekt MID	
PASS	0000
SYSTEM	3Pn
ADRESSE	002
BAUD	38.4
PARITÄT	Sogar

5.3. Starten von PowerUp

Wenn die elektrische Installation abgeschlossen ist, muss das Ladegerät über eine Bluetooth-Verbindung mit der speziellen Installations-App **PowerUp** konfiguriert werden (siehe 3.8).

HINWEIS

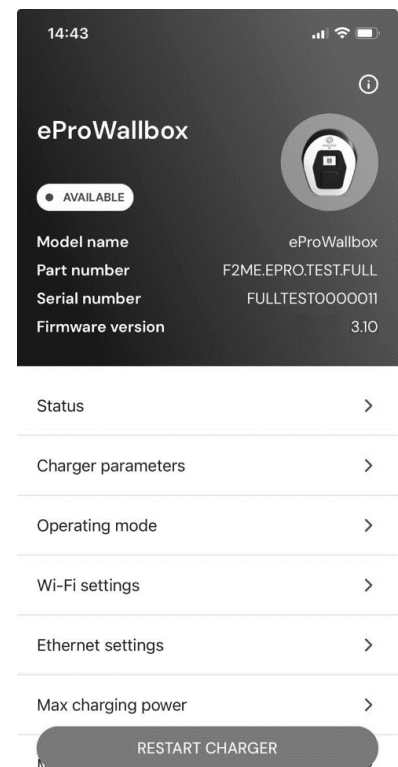
PowerUp ist nur für die Verwendung durch qualifizierte Installateure vorgesehen.

HINWEIS

Aktualisieren Sie PowerUp immer auf die neueste Version, um alle Funktionen nutzen zu können.

Installation und Start der App

- 1) Stellen Sie sicher, dass Bluetooth auf Ihrem Smartphone aktiviert ist.
- 2) Aktualisieren/Herunterladen der neuesten PowerUp-Version (siehe 3.8) und führen Sie sie aus.
- 3) Wählen Sie die Sprache und akzeptieren Sie die Nutzungsbedingungen.
- 4) Entfernen Sie den Außenrahmen und scannen Sie den QR-Code des Ladegeräts auf der Abdeckung (siehe 3.3).
 - Wenn die Bluetooth-Verbindung zum Ladegerät erfolgreich ist, erscheint die Startseite mit allgemeinen Informationen zum Ladegerät und dem Konfigurationsmenü.
 - Wenn es nicht erreichbar ist, versuchen Sie, die APP oder das Ladegerät neu zu starten.
- 5) Folgen Sie den Menüs der Reihe nach oder gehen Sie direkt zu der Seite mit den Parametern, die Sie konfigurieren möchten. Detaillierte Anweisungen finden Sie in den folgenden Abschnitten.



ALLGEMEINE HINWEISE ZU DEN KONFIGURATIONSEITEN

- Wählen Sie auf den Konfigurationsseiten **SENDEN**, um die Einstellungen des Ladegeräts zu aktualisieren.
- Wählen Sie **←** oben links auf dem Bildschirm, um zurückzukehren.
- Wenn alle Änderungen abgeschlossen sind, wählen Sie auf der Startseite die Option **LADEGERÄT NEU STARTEN**, damit die Änderungen wirksam werden.

5.4. Wi-Fi-Einstellungen

Auf der Seite **Wi-Fi-Einstellungen** können Sie die Wi-Fi-Verbindung konfigurieren, die die Kommunikation mit CPMS oder einem Backend-System eines Drittanbieters ermöglicht (siehe 5.15).

HINWEIS

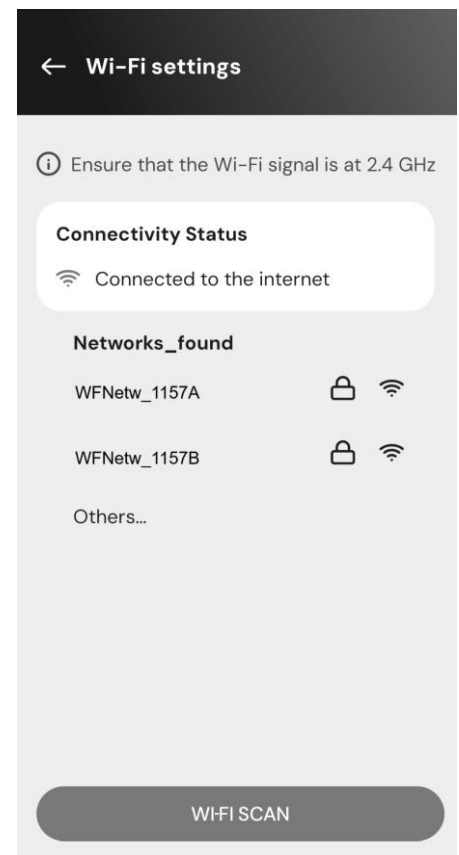
Das Ladegerät ist nur mit 2,4-GHz-Wi-Fi-Netzwerken kompatibel. Wenn Sie versuchen, eine Verbindung zu einem 5-GHz-Wi-Fi-Netzwerk herzustellen, wird es nicht funktionieren.

Verfahren zur Konfiguration

- 1) Wählen Sie auf der PowerUp-Startseite die Option **Wi-Fi-Einstellungen**.
 - Die Seite mit **den Wi-Fi-Einstellungen** zeigt den Verbindungsstatus an, der zunächst nicht verbunden ist
- 2) Wählen Sie die Schaltfläche **WI-FI SCAN** und wählen Sie das Wi-Fi-Netzwerk (oder den Hotspot), das Sie verwenden möchten, geben Sie das Passwort ein und wählen Sie **Verbinden**. Alternativ können Sie auch **Andere** auswählen und den Wi-Fi-Namen (SSID) und das Passwort manuell eingeben.

HINWEIS: Es werden nur 2,4-GHz-Netze als verfügbar angezeigt, andere inkompatible Netze sind ausgeschlossen.

- Wenn die Verbindung erfolgreich ist, wird der Verbindungsstatus **Verbunden mit dem Internet** angezeigt.



HINWEIS

Zu Servicezwecken können Sie das Ladegerät vorübergehend mit einem Wi-Fi-Hotspot verbinden, der von einem beliebigen Smartphone erzeugt wird, auch von dem, das für die Konfiguration verwendet wird. Überprüfen Sie die Einstellungen Ihres Smartphones und stellen Sie sicher, dass der Wi-Fi-Hotspot mit 2,4 GHz arbeitet. Verwenden Sie dieses Verfahren, wenn das Ladegerät offline ist und ein Software-Update erforderlich ist.

5.5. Ethernet-Einstellungen

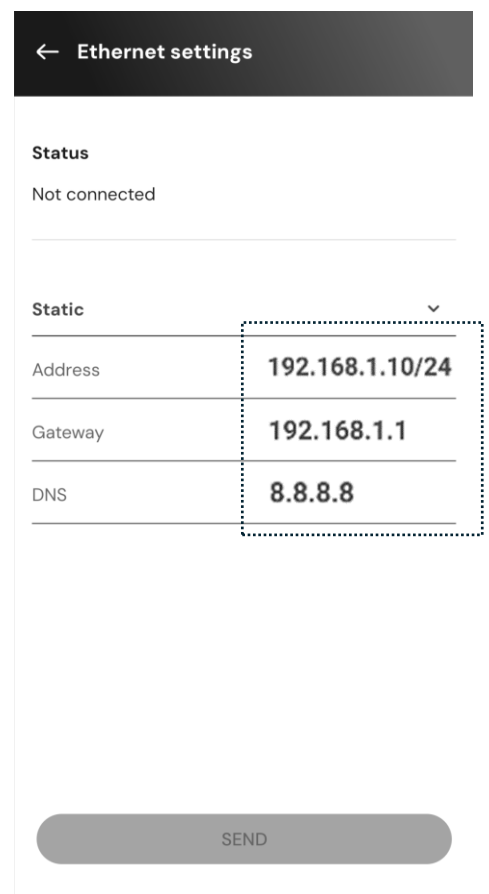
Auf der Seite **Ethernet-Einstellungen** können Sie die Ethernet-Verbindung konfigurieren, die aktiviert werden kann:

- Verbindung zu CPMS oder einem Backend-System eines Drittanbieters über OCPP
- Energiemanagementsystem über Modbus TCP/IP

Wenn die Verbindung hergestellt ist, startet die Ethernet-Kommunikation automatisch mit DHCP-Einstellungen. Hier können Sie die Standardeinstellungen ändern.

Verfahren zur Konfiguration

- Die Ethernet-Verbindung muss gemäß der Beschreibung in 4.10.
- 1) Wählen Sie auf der PowerUp-Startseite **Ethernet-Einstellungen**.
 - Die Seite **Ethernet-Einstellungen** wird angezeigt. Sie zeigt den Status der Ethernet-Verbindung an.
 - 2) Wählen Sie den IP-Adressierungsmodus, der sein kann:
 - **DHCP** (Werkseinstellung): Wenn der lokale Router das DHCP-Protokoll zur dynamischen Einstellung der IP-Adresse unterstützt (Werkseinstellung).
HINWEIS: Wenn der DHCP-Server nicht verfügbar ist, stellt das Ladegerät automatisch eine statische Standard-IP-Adresse ein (169.254.0.3/16). Wenn der DHCP-Server wiederhergestellt wird, kehrt die Einstellung des Ladegeräts zu DHCP zurück.
 - **Statisch:** Die IP-Adressparameter werden manuell eingestellt. In diesem Fall können Sie angeben:
 - **Adresse** (obligatorisch): Die IP-Adresse des Ladegeräts in CIDR-Notation, z. B. 192.168.1.10/24, wobei /24 für eine 24-Bit-Subnetzmaske (255.255.255.0) steht und 8 Bits für das IP-Netz übrig bleiben, das 256 IPv4-Adressen von 0 bis 255 enthält.
 - **Gateway** (optional): Die IP-Adresse des Standard-Gateways, normalerweise der lokale Router zum Internet. Zum Beispiel: 192.168.1.1.
 - **DNS** (optional): Die IP-Adresse des DNS-Servers. Wenn Sie keinen bestimmten Server verwenden möchten, können Sie die DNS-Serveradresse von Google (8.8.8.8) oder Cloudflare (1.1.1.1) eingeben.
 - **Keine:** Die Ethernet-Leitung ist deaktiviert.
 - 3) Wählen Sie **SENDEN** und starten Sie das Ladegerät von der Homepage aus neu, damit die Änderungen wirksam werden. Um Zeit zu sparen, können Sie später neu starten, nachdem Sie alle notwendigen Änderungen vorgenommen haben.
 - Die OCPP-Konfiguration wird beschrieben in 5.15.
 - Die EMS-Konfiguration wird beschrieben in **Error! Reference source not found..**



← Ethernet settings

Status
Not connected

Static

Address	192.168.1.10/24
Gateway	192.168.1.1
DNS	8.8.8.8

SEND

5.6. Status

Die Seite **Status** zeigt den Status von:

- SIM-Karte
- Wi-Fi-Konnektivität

5.7. Parameter des Ladegeräts

Auf der Seite **Ladegerät-Parameter** können Sie diese einsehen:

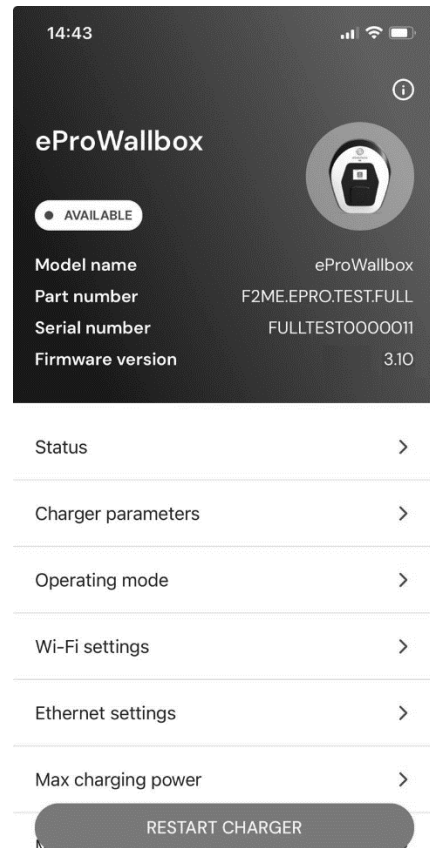
- Datum der Aktivierung
- Stromversorgung (einphasig oder dreiphasig)
- Rotary Switch Position, die die maximal verfügbare Leistung anzeigt (siehe 4.6)

5.8. Firmware-Version anzeigen und aktualisieren

Die Firmware-Version des Ladegerätes wird auf der Hauptseite von PowerUp angezeigt. Überprüfen Sie, ob die Version in diesem Handbuch abgedeckt ist (siehe 1.3). Falls nötig, besorgen Sie sich die korrekte Versionsanleitung (siehe 1.4).

Prozess der Firmware-Aktualisierung

- Das Ladegerät muss über eine der folgenden Möglichkeiten mit dem Internet verbunden sein:
 - 4G LTE (nur eProWallbox)
 - Wi-Fi
 - Ethernet
- Sobald die Verbindung hergestellt ist, wird die Firmware automatisch in einem oder mehreren Schritten auf die neueste Version aktualisiert. Der gesamte Vorgang kann einige Stunden dauern.
- Die eigentliche Aktualisierung beginnt, wenn das Ladegerät nicht in Gebrauch ist.

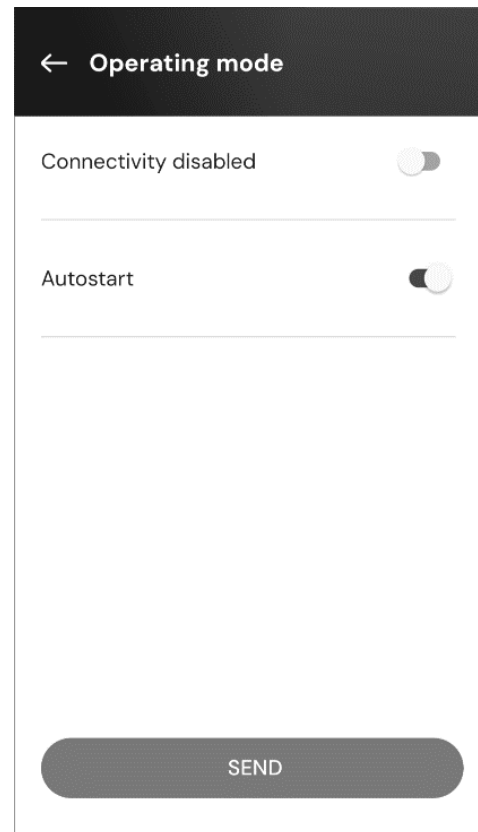


5.9. Betriebsart

Auf der Seite **Betriebsmodus** können Sie die Optionen für Konnektivität und Autorisierung einstellen.

Verfahren zur Konfiguration

- 1) Wählen Sie auf der Homepage **PowerUp** den **Betriebsmodus**.
→ Auf der Seite **Betriebsart** können Sie zwei Parameter einstellen.
- 2) **Konnektivität deaktiviert**: Wählen Sie, ob das Ladegerät mit CPMS verbunden ist oder nicht.
 - **Konnektivität deaktiviert** nicht eingestellt (Werkseinstellung): Das Ladegerät ist mit dem Charge Point Management System (CPMS) verbunden, was Software-Updates und Fernsupport ermöglicht und den Nutzern die Möglichkeit gibt, die maximale Funktionalität der User App zu nutzen (siehe 3.8).
 - **Konnektivität deaktiviert** eingestellt: Das Ladegerät arbeitet im Standalone-Modus und ist nicht mit dem Charge Point Management System (CPMS) verbunden. Der Benutzer hat Zugang zu eingeschränkten Funktionen in der Benutzer-App, die nur über Bluetooth verfügbar sind.
- 3) **Autostart**: Wählen Sie, ob eine Autorisierung zum Laden erforderlich ist.
 - **Autostart** eingestellt (Werkseinstellung): Es ist keine Autorisierung erforderlich, und der Ladevorgang kann durch einfaches Einstecken des Ladekabels gestartet werden.
 - **Autostart** nicht eingestellt: Das Aufladen muss von Ihnen genehmigt werden:
 - Vorlegen des Charging Pass (RFID) am Ladegerät (nur eProWallbox-Modell)
 - Autorisierung der Sitzung über die Benutzeranwendung (siehe 3.8). Dies ist nur möglich, wenn das Ladegerät mit einem CPMS verbunden ist.
- 4) Wählen Sie **SENDEN** und starten Sie das Ladegerät von der Homepage aus neu, damit die Änderungen wirksam werden. Um Zeit zu sparen, können Sie später neu starten, nachdem Sie alle notwendigen Änderungen vorgenommen haben.



5.10. Maximale Leistung beim Aufladen

Auf der Seite **Maximale Ladeleistung** können Sie die maximal verfügbare Leistung, die bei der Elektroinstallation mit dem Drehschalter **SW1** eingestellt wurde, reduzieren.

Verfahren zur Konfiguration


- 1) Wählen Sie auf der PowerUp-Startseite die **maximale Ladeleistung**.
 - Die Seite **Maximale Ladeleistung** zeigt die Position des Rotary Switches an, der die Art der Stromversorgung (ein- oder dreiphasig) und die maximale Leistung bestimmt (siehe 4.6).
- 2) Stellen Sie den Schieberegler für **die maximale Ladeleistung** ein, um den Maximalwert nach Bedarf zu verringern.
- 3) Wählen Sie **SENDEN** und starten Sie das Ladegerät von der Homepage aus neu, damit die Änderungen wirksam werden. Um Zeit zu sparen, können Sie später neu starten, nachdem Sie alle notwendigen Änderungen vorgenommen haben.

← Max charging power

Power supply

Single-phase

Rotary switch position



Max A 32.0
Max kW 7.4

Max charging power 7.4 kW

1.4 kW 7.4 kW

SEND

5.11. Energieverwaltung

Auf der Seite Energieverwaltung können Sie die gewünschte Energieverwaltungsfunktion einstellen, indem Sie zwischen folgenden Optionen wählen:

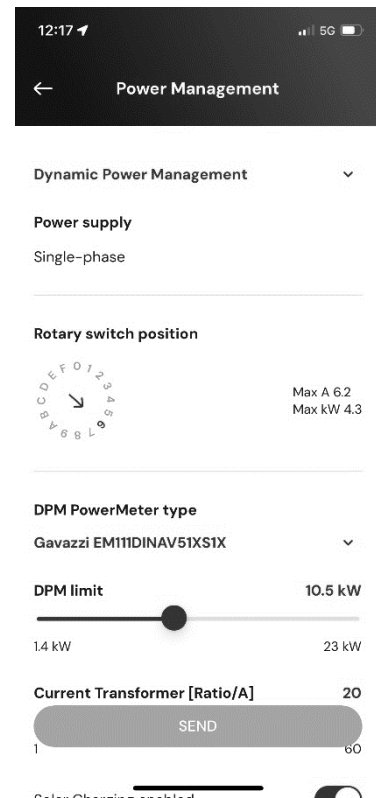
- Deaktiviert: alle Funktionen sind ausgeschaltet
- Dynamic Power Management (PowerMeter DPM)
- Main/Satellite
- Home Energy Management System (ModBus-Server) - Werkseinstellung

5.11.1. Dynamic Power Management

Auf der Seite **Dynamic Power Management** können Sie die DPM-Optionen einstellen.

Verfahren zur Konfiguration

- Der Anschluss des **PowerMeter (DPM)** muss wie in den folgenden Abschnitten beschrieben erfolgen 4.9.1.
 - Der **PowerMeter (DPM)** muss so konfiguriert werden, wie in 5.2.
- 1) Wählen Sie auf der Seite **Energieverwaltung** die Option **Dynamic Power Management**.
 - 2) Wählen Sie unter **DPM PowerMeter type** das installierte Gerät aus der Liste aus.
 - 3) Stellen Sie unter **DPM Limit** die Vertragsleistung ein. Für indirekte DPM PowerMeter-Modelle stellen Sie das Stromwandlerverhältnis oder die Amperezahl ein.
 - 4) Falls installiert, konfigurieren Sie das **Solarladen** (siehe unten).
 - 5) Wählen Sie **SENDEN** und starten Sie das Ladegerät auf der Startseite neu, damit die Änderungen wirksam werden. Um Zeit zu sparen, können Sie später neu starten, nachdem Sie alle notwendigen Änderungen vorgenommen haben.



5.11.1.1. Einstellungen für Solarladegeräte und Energiespeicher

Mit dem Solarladegerät können Sie das Ladegerät in eine bestehende Photovoltaikanlage (PV) integrieren, um die Nutzung erneuerbarer Energiequellen beim Laden des Fahrzeugs zu maximieren.

Dies wird nur unterstützt, wenn ein PowerMeter (DPM) installiert und konfiguriert ist. Für die richtige Positionierung des DPM siehe die Diagramme in 4.8.1.

In der Konfiguration des **Dynamic Power Managements** (siehe 5.11.1):

- 1) Wählen Sie unter **Solarladung** eine der folgenden Optionen:
 - Deaktiviert (Werkseinstellung): keine PV installiert
 - Hybrid-Modus: Sowohl Netz- als auch PV-Leistung werden genutzt.
 - Grüner Modus: Maximiert die Nutzung der PV Leistung.
HINWEIS: Der grüne Modus kann den Ladevorgang vorübergehend unterbrechen, wenn nicht genügend PV-Leistung verfügbar ist.
- 2) Aktivieren Sie die **Energiespeicherung**, falls vorhanden.

5.11.2. Main/Satellite

Auf der Seite **Main/Satellite** können Sie ein Netz von Ladegeräten konfigurieren, wobei ein **Hauptladegerät** über RS485 bis zu fünf **Satellitenladegeräte** für einen ausgeglichenen Betrieb entsprechend der am gemeinsamen Anschlusspunkt verfügbaren Höchstleistung koordinieren kann.

Um das **Main/Satellite** einzurichten, müssen Sie in der Installateur-App das Hauptladegerät und die Satelliten-Ladegeräte wie unten beschrieben konfigurieren.

Konfiguration des Hauptladegeräts

- Die Modbus-RS485-Verbindung muss gemäß der Beschreibung in 4.9.4.
 - 1) Wählen Sie auf der Seite **Energieverwaltung** die Option **Main/Satellite**.
 - 2) Aktivieren Sie die Funktion.
 - 3) In der **Rolle M/S** wählen Sie **Main** für das Hauptladegerät.
 - 4) Bewegen Sie den Schieberegler unter **Gruppenleistungsgrenze**, um die maximale Leistung für die vernetzten Ladegeräte einzustellen.
 - 5) Wählen Sie **SENDEN** und starten Sie das Ladegerät von der Homepage aus neu, damit die Änderungen wirksam werden. Um Zeit zu sparen, können Sie später neu starten, nachdem Sie alle notwendigen Änderungen vorgenommen haben.

Konfigurationsverfahren für das Satellitenladegerät

- Die Modbus-RS485-Verbindung muss gemäß der Beschreibung in 4.9.4.
 - 1) Wählen Sie auf der Seite **Energieverwaltung** die Option **Main/Satellite**.
 - 2) Aktivieren Sie die Funktion.
 - 3) In der **Rolle M/S** wählen Sie **Satelliten** und eine eindeutige Nummer von 1 bis 5.
 - 4) Wählen Sie **SENDEN** und starten Sie das Ladegerät von der Homepage aus neu, damit die Änderungen wirksam werden. Um Zeit zu sparen, können Sie später neu starten, nachdem Sie alle notwendigen Änderungen vorgenommen haben.

5.11.3. Einstellungen des Hausenergiemanagementsystems (ModBus-Server)

Das Ladegerät kann mit einem Energiemanagementsystem (EMS) oder einem anderen Modbus-Gerät über Modbus RTU über RS485 oder Modbus TCP/IP über Ethernet verbunden werden.

Diese Funktion ist standardmäßig im App-Menü aktiviert.

- ➔ Die EMS-Funktionen basieren auf Modbus, wie in der Dokumentation der Modbus Maps beschrieben. Siehe 1.4.

Verfahren zur Konfiguration

- 1) Wählen Sie auf der Seite **Energieverwaltung** die Option **Home Energy Management System**.
- 2) Wählen Sie unter **Modbus-Protokoll RTU** oder **TCP/IP**.

5.11.3.1. Modbus RTU

Verfahren zur Konfiguration

- Die RS485-Verkabelung muss wie in den folgenden Abschnitten beschrieben erfolgen 4.9.
- 1) Geben Sie die Modbus RS485 RTU Parameter ein:
 - Modbus RTU-Adresse: Standardmäßig 1 (von 1 bis 32)
 - Baudrate: 115200 als Voreinstellung
 - 2) Wählen Sie **SENDEN** und starten Sie das Ladegerät von der Homepage aus neu, damit die Änderungen wirksam werden. Um Zeit zu sparen, können Sie später neu starten, nachdem Sie alle notwendigen Änderungen vorgenommen haben.

5.11.4. Modbus TCP/IP

Verfahren zur Konfiguration

- Die Ethernet-Verbindung muss gemäß der Beschreibung in 4.10.
- 1) Geben Sie die Modbus TCP/IP-Parameter ein:
 - **Port**, standardmäßig 502. Sie können ihn ändern, falls es zu Konflikten mit anderen Anwendungen kommt.
 - **Timeout**: standardmäßig 1000 msec. Sie können diesen Wert ändern, falls es zu Konflikten mit anderen Anwendungen kommt.
 - Die **IP**- (obligatorisch), **Gateway**- und **DNS**-Adressen können konfiguriert werden.
 - 2) Wählen Sie **SENDEN** und starten Sie das Ladegerät von der Homepage aus neu, damit die Änderungen wirksam werden. Um Zeit zu sparen, können Sie später neu starten, nachdem Sie alle notwendigen Änderungen vorgenommen haben.

5.12. MIDcounter

Verfahren zur Konfiguration

- Der Anschluss des **MID-Zählers** muss gemäß der Beschreibung in 4.9.2.
 - Die Konfiguration des **MID-Zählers** muss wie in 5.2.
- 1) Wählen Sie auf der PowerUp-Startseite **MIDcounter**.
 - 2) Wählen Sie unter **MID-Zählertyp** eine der folgenden Möglichkeiten aus:
 - **AUS** (Werkseinstellung), wenn Sie keinen **MIDcounter** installiert haben.
 - Das installierte Gerät unter den in der Liste aufgeführten Geräten.
 - 3) Wählen Sie **SENDEN** und starten Sie das Ladegerät von der Homepage aus neu, damit die Änderungen wirksam werden. Um Zeit zu sparen, können Sie später neu starten, nachdem Sie alle notwendigen Änderungen vorgenommen haben.

← MIDcounter

Power supply

Single-phase

MIDcounter type

OFF

OFF

FINDER 7M.24.8.230.0210

FINDER 7M.38.8.400.0212 (1 ph)

Gavazzi EM111DINAV81XS1PFB

SEND

5.13. Länderspezifische Einstellungen

Auf der Seite **Ländereinstellungen** können Sie Funktionen für bestimmte Länder einstellen.

HINWEIS

Als Installateur sind Sie dafür verantwortlich, zu überprüfen, ob diese Vorschriften noch in Kraft sind, und sich über etwaige zusätzliche örtliche Vorschriften zu informieren, die für die Verwendung dieses Produkts im Land der Installation relevant sein könnten.

5.13.1. Ungleichgewicht der Last (AT, CH, DE, NL)

Load Ungleichgewicht ist eine Leistungsmanagementfunktion zur Einhaltung der Normen für Österreich, Deutschland, die Niederlande und die Schweiz, in denen die Stromunsymmetrie zwischen den Phasen nicht mehr als einen bestimmten Wert betragen darf. Diese Funktion verhindert, dass einphasige Fahrzeuge mehr unsymmetrischen Strom aus dem Netz ziehen, als von den lokalen Vorschriften gefordert.

Die Funktion Ungleichgewicht der Last ist standardmäßig deaktiviert (**OFF**). Um sie zu aktivieren:

- 1) Wählen Sie auf der PowerUp-Startseite die Option **Ländereinstellungen**.
- 2) Wählen Sie unter **Unsymmetrische Last** den Wert gemäß den örtlichen Normen:
 - **20 A** für Deutschland
 - **16 A** für Österreich, die Schweiz und die Niederlande.
- 3) Wählen Sie **SENDEN** und starten Sie das Ladegerät von der Homepage aus neu, damit die Änderungen wirksam werden. Um Zeit zu sparen, können Sie später neu starten, nachdem Sie alle notwendigen Änderungen vorgenommen haben.

5.13.2. Zufällige Verzögerung (UK)

Diese für das Vereinigte Königreich obligatorische Funktion bewirkt, dass die Ladevorgänge mit einer zufälligen Verzögerung zwischen 0 und dem gewählten Wert beginnen. Der Standardwert ist 10 Minuten, und der maximal zulässige Wert ist 30 Minuten.

Die Funktion ist standardmäßig deaktiviert. Um sie zu aktivieren:

- 1) Wählen Sie auf der PowerUp-Startseite die Option **Ländereinstellungen**.
 - 2) Aktivieren Sie die **Zufallsverzögerung** und stellen Sie die gewünschte Verzögerungszeit (Minuten und Sekunden) ein.
 - 3) Wählen Sie **SENDEN** und starten Sie das Ladegerät von der Homepage aus neu, damit die Änderungen wirksam werden. Um Zeit zu sparen, können Sie später neu starten, nachdem Sie alle notwendigen Änderungen vorgenommen haben.
- ➔ Benutzer können die Verzögerungszeit über die Benutzer-App aktivieren, deaktivieren und anpassen (siehe 3.8).

5.14. Mobile Internet-Parameter

Auf der Seite **Internet-Mobilparameter** können Sie die Parameter für die mobile Kommunikation einstellen, die erforderlich sind, wenn Sie eine 4G-LTE-Verbindung haben.

Verfahren zur Konfiguration

- 1) Wählen Sie auf der PowerUp-Startseite die **Parameter für das mobile Internet**.
 - Die Seite mit **den Internet-Mobilfunkparametern** erscheint und zeigt die SIM-Informationen an.
- 2) Geben Sie die folgenden Informationen für den mobilen Internetzugang ein:
 - **APN**, der Name des Zugangspunkts, der von Ihrem Betreiber bereitgestellt wird.
Die Standardadresse ist **cpms.esolutions.com**.
 - **APN-Benutzer** und **APN-Passwort**, die Zugangsdaten (falls erforderlich).
 - **SIM PIN**, der Sicherheitscode zur Aktivierung Ihrer SIM-Karte (falls erforderlich).
- 3) Wählen Sie **SENDEN** und starten Sie das Ladegerät von der Homepage aus neu, damit die Änderungen wirksam werden. Um Zeit zu sparen, können Sie später neu starten, nachdem Sie alle notwendigen Änderungen vorgenommen haben.

←
Internet mobile parameters

SIM ICCID
89882390000368344019

SIM status
SIM not present

APN
cpms.esolutions.com

APN user
APN user

APN password
APN password ⌵

SIM PIN
SIM PIN ⌵

SEND

5.15. Backend OCPP-Konfiguration

Standardmäßig ist das Ladegerät für die Verbindung mit einem Charge Point Management System (CPMS) konfiguriert. Falls erforderlich, kann das Ladegerät über das OCPP 1.6 JSON-Protokoll mit einer Backend-Plattform eines Drittanbieters verbunden werden. Die Verbindung kann hergestellt werden über:

- Wi-Fi (Wi-Fi-Einstellung ist erforderlich, siehe 5.4).
- Ethernet (Ethernet-Einstellungen sind erforderlich, siehe 5.5).
- 4G LTE (Einstellung der Internet-Mobilfunkparameter ist erforderlich, siehe 5.14).

HINWEIS: 4G LTE wird nur vom eProWallbox-Modell unterstützt und ist nicht für das **eProWallbox Move-Modell** verfügbar. Siehe auch 1.1.

Die Funktion unterstützt Klartext- oder TLS-verschlüsselte OCPP-Verbindungen.

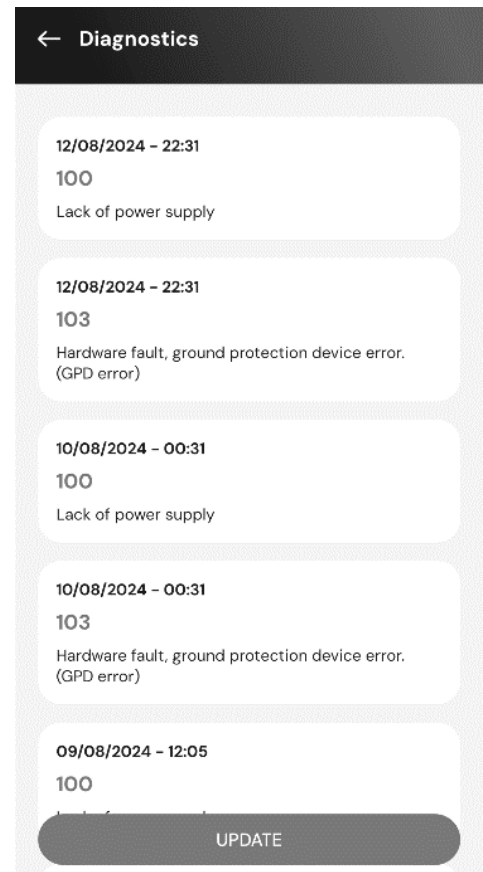
Verfahren zur Konfiguration

- 1) Wählen Sie auf der PowerUp-Startseite die Option **Backend OCPP-Konfiguration**.
- 2) Wählen Sie aus der Dropdown-Liste die gewünschte CPMS-Adresse aus. Das Standard-CPMS ist: **Free2move eSolutions (wss://ocpp.cpms.esolutionscharging.com/ocpp)**
- 3) Wählen Sie **SENDEN** und starten Sie das Ladegerät von der Homepage aus neu, damit die Änderungen wirksam werden. Um Zeit zu sparen, können Sie später neu starten, nachdem Sie alle notwendigen Änderungen vorgenommen haben.

5.16. Diagnostik

Die Diagnoseseite bietet Zugriff auf die Liste der Ereignisse, Anomalien und Fehler, die beim Ladegerät aufgetreten sind.

- 1) Wählen Sie auf der PowerUp-Startseite "**Diagnose**", um das Diagnoseprotokoll anzuzeigen.
 - Die Liste der Ereignisse wird angezeigt. Sie umfasst:
 - Das Datum und die Uhrzeit der Veranstaltung
 - Der dreistellige Fehlercode
 - Kurzbeschreibung der Veranstaltung
- 2) Verwenden Sie den Fehlercode, um Probleme zu beheben (siehe Abschnitt 6).



6. FEHLERSUCHE

Fehlerzustände werden in den Diagnoseprotokollen gespeichert und auf dem Bedienfeld des Ladegeräts angezeigt:

- Bei dem Modell **eProWallbox Move** blinkt die LED-Leiste rot. Siehe den Abschnitt "**Diagnose**" im PowerUP (5.16) oder in der Benutzer-App finden Sie den detaillierten Fehlercode.
- Beim Modell **eProWallbox** zeigt das Display den Fehlercode an, der auch im Diagnosebereich von PowerUP verfügbar ist (5.16).

Wenn ein Fehler auftritt, wird der Ladevorgang unterbrochen, und die Steckdose wird entriegelt, damit Sie den Stecker abziehen können.

Die folgende Tabelle enthält eine Liste von Fehlern, die auftreten können, und die entsprechende Fehlerbehebung. Wenn der Fehler weiterhin besteht, notieren Sie sich die Seriennummer auf dem Etikett des Ladegeräts (siehe 3.3) und wenden Sie sich an den Kundendienst (siehe Abschnitt 9).

Fehlercode / Problem	Fehlerbeschreibung	Fehlersuche
100	Mangelnde Leistung der Stromversorgung	<ul style="list-style-type: none"> • Prüfen Sie, ob der Schutzschalter eingeschaltet ist. • Prüfen Sie, ob die CN1-Verkabelung korrekt ist. • Prüfen Sie die Spannung an CN1.
101	Überhitzung	<ul style="list-style-type: none"> • Ziehen Sie das Kabel Typ 2 ab, warten Sie, bis die Temperatur gesunken ist, dann wird der Fehler gelöscht. • Um den Ladevorgang erneut zu starten, schließen Sie das Kabel erneut an. • Vergewissern Sie sich, dass der Aufstellungsort mit dem Temperaturbereich kompatibel ist (25°C/+50°C ohne direkte Sonneneinstrahlung).
102	Kommunikationsfehler zwischen MCU und MPU.	<ul style="list-style-type: none"> • Starten Sie das Ladegerät über den Trennschalter neu, wobei das Ladegerät mindestens 60 Sekunden lang ausgeschaltet bleiben muss.
103	Hardware-Fehler, Fehler im Erdungsschutzgerät (GPD-Fehler)	<ul style="list-style-type: none"> • Überprüfen Sie die Verkabelung an CN1: <ul style="list-style-type: none"> – Bei einphasigen Anwendungen ist darauf zu achten, dass das Erdungskabel an PE, der Neutralleiter an N und das Phasenkabel an T angeschlossen wird. – bei Dreiphasenbetrieb sicherstellen, dass das Erdungskabel an PE, der Neutralleiter an N und die Phasenkabel L1, L2 und L3 an R, S und T angeschlossen sind. • Prüfen Sie, ob die Spannungsdifferenz zwischen PE und N nicht mehr als 10 V beträgt. • PE-Anschluss prüfen. • Wenn alle Anschlüsse überprüft wurden und der Fehler weiterhin besteht, öffnen Sie das Ladegerät und ändern Sie die Konfiguration des DIP-Schalters (SW2), wie in 4.7.
104	Hardware-Fehler, Fehlerstrommonitor AC-Fehler. (RCM AC-Auslösung)	<ul style="list-style-type: none"> • Versuchen Sie, einen neuen Ladevorgang zu starten, indem Sie alle Stecker abziehen und wieder einstecken. • Wenn das Problem weiterhin besteht, prüfen Sie, ob es Probleme mit dem Ladekabel oder der Fahrzeugsteckdose gibt. • Wenn die Kabel und das EV keine Probleme aufweisen, überprüfen Sie den Anschluss CN27 und das RCM-Kabel. Siehe . 3.6.
105	Hardwarefehler, Fehlerstromüberwachung DC-Fehler. (RCM DC-Auslösung)	<ul style="list-style-type: none"> • Stellen Sie sicher, dass das Problem nicht mit dem Kabel oder dem Fahrzeug zusammenhängt. Wenn möglich, versuchen Sie einen weiteren Ladevorgang mit einem anderen Kabel oder Fahrzeug.
106	Interner Fehler des Zählers	<ul style="list-style-type: none"> • Starten Sie das Ladegerät über den Trennschalter neu, wobei das Ladegerät mindestens 60 Sekunden lang ausgeschaltet bleiben muss.
107	PowerMeter (DPM) Kommunikationsfehler	<ul style="list-style-type: none"> • Prüfen Sie, ob die Kommunikationskonfiguration auf dem DPM PowerMeter (DPM) korrekt ist. Siehe . 5.2. • Überprüfen Sie, ob die Konfiguration des DPM-Modells in der Installer-App korrekt ist. Siehe . 5.11. • Überprüfen Sie die Verdrahtung des Kommunikationskabels an CN12. Siehe . 4.9. • Prüfen Sie, ob das verwendete Kommunikationskabel für Modbus RS485 und die Kabellänge geeignet ist. Siehe . 4.9.

Fehlercode / Problem	Fehlerbeschreibung	Fehlersuche
108	Konfigurationsfehler, Rotary Switch Position (Versorgungstyp) stimmt nicht mit dem DPM/ MID Typ überein	<ul style="list-style-type: none"> Überprüfen Sie die Position des Rotary Switches. Wenn sie nicht mit der 1-ph/3-ph-Installation übereinstimmt, ändern Sie sie gemäß der Tabelle im Handbuch und starten Sie das Ladegerät neu. Wenn das Zubehör (DPM/MID) nicht installiert ist, stellen Sie sicher, dass die Funktion in der Installations-App deaktiviert ist. Siehe . 5.11 und 5.11.2. Wenn das Zubehör (DPM/MID) installiert ist, überprüfen Sie, ob das richtige Modell in der Installer-App ausgewählt wurde (siehe 5.11 und 5.11.2). Starten Sie dann das Ladegerät neu.
109	Haupt-/Satellitenkommunikationsfehler RS485	<ul style="list-style-type: none"> Überprüfen Sie die Konfiguration des M/S-Netzwerks, das von der Installer-App eingerichtet wurde. Prüfen Sie, ob das Hauptladegerät verfügbar ist. Prüfen Sie, ob die Verdrahtung des Kommunikationskabels an CN9 und CN10 korrekt ist. Siehe . 4.9.4. Prüfen Sie, ob das verwendete Kommunikationskabel für Modbus RS485 geeignet ist.
110	MID-Zähler Kommunikationsfehler	<ul style="list-style-type: none"> Überprüfen Sie, ob die Kommunikationskonfiguration auf dem MIDcounter-Gerät korrekt ist. Siehe . 5.2. Überprüfen Sie die Verdrahtung des Kommunikationskabels an CN12. Siehe . 4.9. Prüfen Sie, ob das verwendete Kommunikationskabel für Modbus RS485 geeignet ist. Überprüfen Sie, ob die MID-Modellkonfiguration in der Installations-App korrekt ist. Siehe . 5.11.2.
112	Fehler in der Relaiskonfiguration	<ul style="list-style-type: none"> Kontaktieren Sie den Kundendienst.
113	RFID-Lesegerät ist nicht angeschlossen	<ul style="list-style-type: none"> Überprüfen Sie die Kabelverbindung zwischen dem RFID-Lesegerät (siehe Abschnitt 3.6 - Nummer 9) und dem Anschluss CN11 auf der Hauptplatine. Starten Sie dann das Ladegerät neu.
114		
115	4G/LTE-Platine abgeklemmt	<ul style="list-style-type: none"> Überprüfen Sie die korrekte Verbindung zwischen der 4G/LTE-Karte (siehe Abschnitt 3.6 - Nummer 4) und dem Anschluss CN8 auf der Hauptplatine. Starten Sie dann das Ladegerät neu.
116	Display nicht angeschlossen	<ul style="list-style-type: none"> Überprüfen Sie die Kabelverbindung zwischen dem Display-Flachkabel und dem Anschluss CN25 auf der Hauptplatine. Starten Sie dann das Ladegerät neu.
118	Ausfall der Wi-Fi-Platine	<ul style="list-style-type: none"> Kontaktieren Sie den Kundendienst.
119	Ausfall der BLE-Platine	<ul style="list-style-type: none"> Kontaktieren Sie den Kundendienst.
300	Inkonsistenz zwischen dem Befehl des Ladegeräts und der Rückmeldung	<ul style="list-style-type: none"> Starten Sie das Ladegerät über den Trennschalter neu und lassen Sie das Ladegerät mindestens 60 Sekunden lang ausgeschaltet. Wenn der Fehler nach dem Neustart weiterhin besteht, rufen Sie den Kundendienst an.
301	Kurzschluss in der Steuerleitung erkannt.	<ul style="list-style-type: none"> Prüfen Sie bei ausgeschaltetem Ladegerät, ob die Buchse innen und außen unbeschädigt und frei von Defekten ist (wenn dies der Fall ist, verwenden Sie das Ladegerät nicht und wenden Sie sich an den Kundendienst (siehe Abschnitt 9)). Vergewissern Sie sich, dass das Problem nicht mit dem Kabel oder dem Fahrzeug zusammenhängt, und versuchen Sie einen weiteren Ladevorgang (wenn möglich mit einem anderen Fahrzeug oder Kabel).
302	Zustand E oder F auf der Steuerleitung eingestellt.	<ul style="list-style-type: none"> Prüfen Sie bei ausgeschaltetem Ladegerät, ob das Kabel und seine Anschlüsse innen und außen unbeschädigt und einwandfrei sind (falls dies der Fall ist, verwenden Sie es nicht und versuchen Sie, es mit einem anderen Kabel zu laden). Vergewissern Sie sich, dass die Kabelstecker vollständig in die Ladegerätebuchse und den Fahrzeugeingang eingesteckt sind. Vergewissern Sie sich, dass das Problem nicht mit dem Kabel oder dem Fahrzeug zusammenhängt, und versuchen Sie einen weiteren Ladevorgang (wenn möglich mit einem anderen Fahrzeug oder Kabel).
303	Steuerung Pilot abgekoppelt.	
304	Proximity Pilot ist nicht angeschlossen.	
305	Defekter Proximity Pilot entdeckt.	
306	Diodenfehler auf der Steuerleitung entdeckt (keine - 12V).	
306		<ul style="list-style-type: none"> Versuchen Sie einen neuen Ladevorgang, indem Sie das Kabel sowohl vom Ladegerät als auch vom Fahrzeugeingang abziehen und wieder einstecken.

Fehlercode / Problem	Fehlerbeschreibung	Fehlersuche
307	Steuerung Pilot abgekoppelt.	<ul style="list-style-type: none"> • Prüfen Sie bei ausgeschaltetem Ladegerät, ob das Kabel und seine Anschlüsse innen und außen unbeschädigt und einwandfrei sind (falls dies der Fall ist, verwenden Sie es nicht und versuchen Sie, es mit einem anderen Kabel zu laden). • Vergewissern Sie sich, dass die Kabelstecker vollständig in die Ladegerätebuchse und den Fahrzeugeingang eingesteckt sind. • Vergewissern Sie sich, dass das Problem nicht mit dem Kabel oder dem Fahrzeug zusammenhängt, und versuchen Sie einen weiteren Ladevorgang (wenn möglich mit einem anderen Fahrzeug oder Kabel).
308	Unstimmigkeit zwischen Motorbefehl und Rückmeldung, oder der Motor befindet sich in einem Fehlerzustand.	<ul style="list-style-type: none"> • Versuchen Sie einen neuen Ladevorgang, indem Sie das Kabel sowohl vom Ladegerät als auch vom Fahrzeugeingang abziehen und wieder einstecken. • Vergewissern Sie sich, dass die Kabelstecker vollständig in die Ladegerätebuchse und den Fahrzeugeingang eingesteckt sind.
309	309 Motorprüfungsfehler während der EVSE-Initialisierungsphase.	<ul style="list-style-type: none"> • Starten Sie das Ladegerät über den Trennschalter neu, wobei das Ladegerät mindestens 60 Sekunden lang ausgeschaltet bleiben muss.
310	Fehler vor dem Laden erkannt (PP nicht erkannt, oder Motorfehler, oder CP nicht erkannt).	<ul style="list-style-type: none"> • Prüfen Sie bei ausgeschaltetem Ladegerät, ob das Kabel und seine Anschlüsse innen und außen unbeschädigt und einwandfrei sind (falls dies der Fall ist, verwenden Sie es nicht und versuchen Sie, es mit einem anderen Kabel zu laden).
311	Nach dem Laden wurde ein Fehler festgestellt (Motorfehler oder CP nicht abgeklemmt).	<ul style="list-style-type: none"> • Vergewissern Sie sich, dass die Kabelstecker vollständig in die Ladegerätebuchse und den Fahrzeugeingang eingesteckt sind. • Vergewissern Sie sich, dass das Problem nicht mit dem Kabel oder dem Fahrzeug zusammenhängt, und versuchen Sie einen weiteren Ladevorgang (wenn möglich mit einem anderen Fahrzeug oder Kabel).
312	Not-Aus von der MPU empfangen.	<ul style="list-style-type: none"> • Starten Sie das Ladegerät über den Trennschalter neu, wobei das Ladegerät mindestens 60 Sekunden lang ausgeschaltet bleiben muss.
313	Während des Ladevorgangs erfasster Strom mit einem Tastverhältnis von 100 % auf der Leitung Control Pilot.	<ul style="list-style-type: none"> • Stellen Sie sicher, dass das Problem weder mit dem Kabel noch mit dem Fahrzeug zusammenhängt, und versuchen Sie einen neuen Ladevorgang mit einem anderen Kabel und/oder Ladegerät.
315	Stromüberschreitung auf Phase L1	<ul style="list-style-type: none"> • Ziehen Sie das Kabel ab, senken Sie nach Möglichkeit die fahrzeugseitige Ladeleistung und versuchen Sie einen neuen Ladevorgang. • Wenn möglich, laden Sie mit einem anderen Fahrzeug nach. Wenn der Alarm nicht erscheint, liegt das Problem möglicherweise am Fahrzeug. Wenden Sie sich an Ihren Händler.
316	Stromüberschreitung auf Phase L2	
317	Stromüberschreitung auf Phase L3	
318	Spannung unter einem Schwellenwert an Phase L1	<ul style="list-style-type: none"> • Prüfen Sie, ob die Position des Rotary Switches mit der 1-ph/3-ph-Installation übereinstimmt. Siehe . 4.6. • Prüfen Sie, ob die Spannung an CN1-T über 196 V liegt. • Wenn die Spannung unter 196 V liegt, überprüfen Sie die elektrische Anlage oder wenden Sie sich an den Energieversorger.
319	Spannung unter einem Schwellenwert an Phase L2	<ul style="list-style-type: none"> • Der Rotary Switch befindet sich in einer dreiphasigen Position. Prüfen Sie, ob die vorgesehene Installation dreiphasig ist. Wenn nicht, wählen Sie die richtige Position des Rotary Switches gemäß Installationshandbuch. • Prüfen Sie, ob die Spannung an CN1-S über 196 V liegt. Liegt die Spannung unter 196 V, prüfen Sie die elektrische Anlage oder wenden Sie sich an den Energieversorger.
320	Spannung unter einem Schwellenwert an der Phase L3	
321	Kommunikationsfehler zwischen dem Ladegerät und dem Fahrzeug	<ul style="list-style-type: none"> • Aktualisieren Sie die Firmware des Ladegeräts (FW-Version 3.10.0 und höher) • Wenn der Fehler weiterhin besteht, wenden Sie sich an den Fahrzeughersteller (das EV erfüllt nicht die IEC 61851-1-Normen für den Start einer Ladesitzung).
	Display/LED steckt im Begrüßungsmodus fest (LED blinkt rot-grün-blau)	<ul style="list-style-type: none"> • Starten Sie das Ladegerät über den Trennschalter neu, wobei das Ladegerät mindestens 60 Sekunden lang ausgeschaltet bleiben muss.
	LED oder Display leuchtet beim Einschalten nicht	

Fehlercode / Problem	Fehlerbeschreibung	Fehlersuche
	Das Ladegerät startet nicht	<ul style="list-style-type: none"> • Lassen Sie das Gerät neu starten, dies kann bis zu 30 Sekunden dauern. • Prüfen Sie, ob der Schutzschalter eingeschaltet ist. • Prüfen Sie, ob die CN1-Verkabelung korrekt ist. • Prüfen Sie die Spannung an CN1. • Starten Sie das Ladegerät über den Trennschalter neu, wobei das Ladegerät mindestens 60 Sekunden lang ausgeschaltet bleiben muss.
	Kabel in der Ladegerätbuchse eingeklemmt	<ul style="list-style-type: none"> • Schalten Sie das Ladegerät über den Schutzschalter aus und entfernen Sie dann das Kabel.
	Unterbrochener Ladevorgang mit durchgehend grüner LED/Meldung auf dem Display. Der Ladevorgang wird vom DPM oder dem EV unterbrochen. Die Sitzung kann wieder aufgenommen werden.	<ul style="list-style-type: none"> • Überprüfen Sie, ob die maximale Leistung im Abschnitt "DPM-Leistungsgrenze" der Installateur-App mit dem im Stromvertrag des Nutzers angegebenen Wert für die Vertragsleistung in kW übereinstimmt. Wenn der Wert korrekt ist, warten Sie, bis der Ladevorgang fortgesetzt wird, oder schalten Sie einige Hauslasten aus. • Im Falle einer 3-Phasen-Installation ist zu prüfen, ob die elektrischen Lasten auf den Phasen des Hausnetzes ausgeglichen sind.
	Die Kopplung der App wird nach dem QR-Scan nicht abgeschlossen.	<ul style="list-style-type: none"> • Überprüfen Sie die Integrität des QR-Codes auf dem Etikett. • Aktualisieren Sie die App auf die neueste Version. • Schließen Sie die App, starten Sie sie neu und versuchen Sie es dann erneut. • Starten Sie das Ladegerät über den Trennschalter neu, wobei das Ladegerät mindestens 60 Sekunden lang ausgeschaltet bleiben muss.

7. REINIGUNG

Es wird empfohlen, die Außenseite des Ladegeräts bei Bedarf mit einem weichen, feuchten Tuch und einem milden Reinigungsmittel zu reinigen. Wischen Sie anschließend alle Spuren von Feuchtigkeit oder Flüssigkeit mit einem weichen, trockenen Tuch ab.



VORSICHT

Vermeiden Sie starke Luft- oder Wasserstrahlen und verwenden Sie Reinigungsmittel mit einem PH-Wert zwischen 7 und 9. Vermeiden Sie stark saure (pH < 6) oder stark alkalische (pH > 10) Reinigungsmittel, da diese den Kunststoff beschädigen oder mit der Zeit verfärben können.

8. ENTSORGUNG

8.1. Entsorgung von Verpackungen

Entsorgen Sie die Verpackung auf umweltverträgliche Weise. Das Verpackungsmaterial ist recycelbar und sollte entsprechend den örtlichen Vorschriften entsorgt werden.

Befolgen Sie die Entsorgungshinweise auf dem Verpackungsmaterial:



Cardboard



Paper



Plastic

8.2. Produktentsorgung

Das Ladegerät enthält elektronische Bauteile, Kabel und Materialien, die nicht im normalen Müll entsorgt werden dürfen. Stattdessen sollten Sie das Gerät bei einer Recyclinganlage entsorgen, die für die Entsorgung und das Recycling von Elektronikschrott (WEEE) ausgerüstet ist.

Die Entsorgung von Elektronikschrott, einschließlich Ladegeräten, unterliegt häufig den örtlichen Vorschriften, die Sie befolgen müssen, um rechtliche Probleme und Umweltschäden zu vermeiden.

9. UNTERSTÜTZUNG

Wenn Sie Fragen zur Verwendung des Produkts haben, weitere Informationen benötigen oder Unterstützung wünschen, wenden Sie sich an den Kundendienst:

Siehe die Website von Free2move eSolutions:

https://www.esolutions.free2move.com/eu/en_it/contact-us/

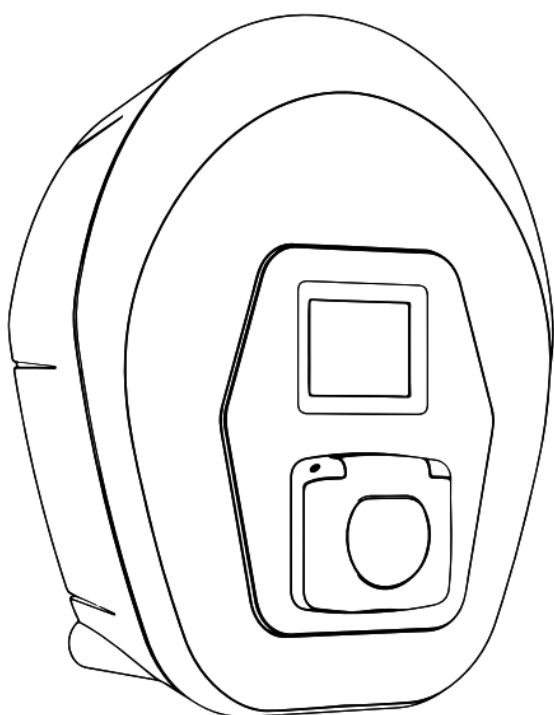
Wenn Sie sich an den Kundendienst wenden, halten Sie bitte die folgenden Informationen bereit:

- Name des Modells (siehe 1.1)
- Seriennummer (siehe 3.3)
- Name des Installateurs und Informationen zur Kaufrechnung.

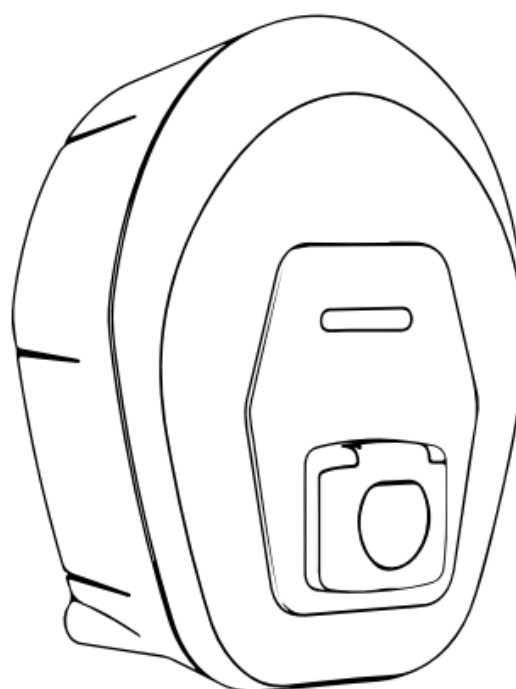


MANUALE DI INSTALLAZIONE

IT



 **eProWallbox**



 **eProWallbox Move**



Per un uso sicuro e corretto,
seguire queste istruzioni.
Conservarle per riferimento futuro.

Firmware V3.xx
Rev.06 - 04/2025
PKM.000019

INDICE

1.	INFORMAZIONI SU QUESTO DOCUMENTO.....	5
1.1.	Scopo del manuale	5
1.2.	Pubblico di riferimento.....	5
1.3.	Storia della revisione	5
1.4.	Documentazione aggiuntiva	5
1.5.	Identificazione del produttore	5
1.6.	Condizioni di garanzia e di consegna, Esclusione di responsabilità	6
1.6.1.	Dichiarazione del produttore sui test di resistenza all'isolamento	6
1.7.	Esclusione di responsabilità per l'accuratezza dei contenuti.....	7
1.8.	Glossario	8
2.	SICUREZZA.....	9
2.1.	Sicurezza del prodotto.....	9
2.2.	Qualifiche richieste per l'installatore.....	9
2.3.	Importanti avvertenze di sicurezza	10
2.4.	Messaggi di sicurezza	11
2.4.1.	Simboli e definizioni.....	12
2.5.	Dispositivi di protezione individuale (DPI)	13
3.	INFORMAZIONI GENERALI.....	14
3.1.	eProWallbox eProWallbox Move	14
3.2.	Campi di utilizzo	14
3.3.	Etichetta di identificazione	15
3.4.	Dimensioni e caratteristiche del prodotto	16
3.5.	Specifiche tecniche.....	17
3.6.	Layout della scheda madre	18
3.7.	Schema di collegamento	19
3.8.	Applicazioni.....	20
3.8.1.	App installatore	20
3.8.2.	App utente.....	20
4.	INSTALLAZIONE.....	21
4.1.	Flusso di lavoro dell'installazione	21
4.2.	Requisiti di installazione s	22
4.2.1.	Conoscere i criteri di sicurezza.....	22
4.2.2.	Verificare la compatibilità del sito di installazione	23
4.2.3.	Verificare l'Alimentazione.....	24
4.2.4.	Verifica dei requisiti della rete di Charger Network M/S.....	25
4.2.5.	Verificare la confezione del prodotto	25

4.2.6.	Procuratevi gli strumenti necessari	26
4.3.	Protezione elettrica esterna	27
4.4.	Montaggio del caricatore a parete	28
4.5.	Collegamento dell'alimentazione al caricatore	30
4.5.1.	Installazione monofase	32
4.5.2.	Installazione trifase	33
4.6.	Impostazione della potenza massima sul commutatore rotante SW1	34
4.7.	Impostazione degli interruttori DIP h SW2	35
4.8.	Installazione di PowerMeter (DPM) e MIDcounter	36
4.8.1.	Installazione di PowerMeter (DPM)	37
4.8.2.	Installazione di MIDcounter	41
4.8.3.	Installazione combinata di PowerMeter (DPM) e MIDcounter	43
4.9.	Collegamenti di comunicazione Modbus RS485	44
4.9.1.	Collegamento di PowerMeter (DPM)	45
4.9.2.	Collegamento del contatore MID	48
4.9.3.	Collegamento del PowerMeter (DPM) e del contatore MID	50
4.9.4.	Collegamento dei caricatori nella rete M/S Chargers	53
4.10.	Connessione Ethernet	54
4.11.	Controllo, chiusura e accensione del sistema	55
4.11.1.	Schermi di visualizzazione di eProWallbox	56
4.11.2.	eProWallbox Move Barra LED	60
5.	MESSA IN SERVIZIO	61
5.1.	Flusso di lavoro della messa in servizio	61
5.2.	Configurazione del PowerMeter (DPM) e del MIDcounter	62
5.2.1.	Configurazione dei modelli Finder	62
5.2.2.	Configurazione dei modelli Gavazzi	63
5.2.3.	Riepilogo della configurazione del Contatore di energia	64
5.3.	Avvio di PowerUp	65
5.4.	Impostazioni Wi-Fi	66
5.5.	Impostazioni Ethernet	67
5.6.	Stato	68
5.7.	Parametri del caricatore	68
5.8.	Versione del firmware visualizzazione e aggiornamento	68
5.9.	Modalità operativa	69
5.10.	Potenza massima di carica	70
5.11.	Gestione della Potenza	70
5.11.1.	Gestione dinamica della potenza	71
5.11.2.	Main/Satellite	72
5.11.3.	Impostazioni del sistema di gestione dell'energia (server ModBus)	73

5.12.	Contatore MID	74
5.13.	Impostazioni specifiche del Paese	75
5.13.1.	Sbilanciamento del carico (AT, CH, DE, NL).....	75
5.13.2.	Ritardo casuale (UK).....	75
5.14.	Parametri Internet mobile.....	76
5.15.	Configurazione del backend OCPP	76
5.16.	Diagnostica	77
6.	RISOLUZIONE DEI PROBLEMI	78
7.	PULIZIA	82
8.	SMALTIMENTO	83
8.1.	Smaltimento degli imballaggi.....	83
8.2.	Smaltimento del prodotto	83
9.	ASSISTENZA.....	84

1. INFORMAZIONI SU QUESTO DOCUMENTO

1.1. Scopo del manuale

Questo manuale di installazione è una guida per lavorare in sicurezza ed eseguire l'installazione dei seguenti modelli di Caricatore:

eProWallbox Move (F2ME.EPROSEYYXXX)

Stazione di ricarica intelligente in corrente alternata fino a 22 kW, disponibile in versione monofase e trifase. Con interfaccia a LED.

eProWallbox (F2ME.EPROSCYYXXX)

Stazione di ricarica intelligente in corrente alternata fino a 22 kW, disponibile in versione monofase e trifase. Con interfaccia display, lettore Charging Pass (RFID) e connettività completa via 4G/LTE.

1.2. Pubblico di riferimento

Questo documento è destinato all'uso da parte di un installatore elettrico qualificato. Fare riferimento a 2.2 per le qualifiche necessarie all'installazione del Caricatore.

1.3. Storia della revisione

Revisione	Data	Descrizione
04	01/2023	Corrisponde alla versione firmware 2.9.x
05	10/2024	Corrisponde alla versione firmware 3.xx
06	04/2025	Corrisponde alla versione firmware 3.xx

→ Per controllare e aggiornare la versione del firmware, vedere 5.8.

1.4. Documentazione aggiuntiva

Oltre a questo manuale, la documentazione dei nostri prodotti può essere visualizzata e scaricata visitando il sito web:

https://www.esolutions.free2move.com/eu/en_gb/information-hub/

Risorse video di eSolutions

<https://www.youtube.com/@free2moveesolutions6/videos>

1.5. Identificazione del produttore

Il produttore del Caricatore è:

Free2move eSolutions S.p.A.

Piazzale Lodi, 3

20137 Milano - Italia

www.esolutions.free2move.com

1.6. Condizioni di garanzia e di consegna, Esclusione di responsabilità

I dettagli della garanzia sono descritti nei Termini e condizioni di vendita inclusi nell'ordine di acquisto di questo prodotto e/o nella confezione del prodotto.

Free2move eSolutions S.p.A. non si assume alcuna responsabilità per il mancato rispetto delle istruzioni per una corretta installazione e non può essere ritenuta responsabile per i sistemi a monte o a valle dell'apparecchiatura fornita.

Free2move eSolutions S.p.A. non può essere ritenuta responsabile per difetti o malfunzionamenti derivanti da: uso improprio del caricatore; deterioramento dovuto al trasporto o alle condizioni ambientali o all'installazione da parte di persone non qualificate.

AVVISO

Qualsiasi modifica, manipolazione o alterazione dell'hardware o del software non espressamente concordata con il produttore comporta l'immediata decadenza della garanzia.

1.6.1. Dichiarazione del produttore sui test di resistenza all'isolamento

In base alle nostre conoscenze, dichiariamo che i prodotti eProWallbox ed eProWallbox Move, di seguito "i nostri prodotti", **includono dispositivi di protezione contro le sovratensioni e altri circuiti che possono essere danneggiati dalla verifica della resistenza di isolamento** descritta nella norma IEC 60364-6, clausola 6.4.3.3.

Secondo le normative nazionali di vari Paesi (ad esempio, l'art. 86 del D. Lgs. 81/08 in Italia), può essere richiesto di verificare periodicamente l'impianto elettrico, eseguendo una serie di prove tra cui quella di resistenza di isolamento. **Durante i test, i nostri prodotti devono essere scollegati prima di effettuare la prova di resistenza di isolamento**, come indicato nella norma IEC 60364-6 clausola 6.4.3.3 e nella normativa nazionale derivata (ad esempio, CEI 64-8 clausola 6.4.3.3 in Italia).

Vi informiamo inoltre che:

- I nostri prodotti sono stati valutati secondo la norma IEC 61851-1:2017 risultando pienamente conformi.
- La norma IEC 61851-1:2017 include un test di resistenza all'isolamento al punto 12.5.
- I nostri prodotti sono sottoposti al test di resistenza all'isolamento come test di routine secondo la norma IEC 61439-1: 2020 clausola 11.9 durante il processo di produzione.

Dichiarazione di non responsabilità

Free2move eSolutions S.p.A. non può essere ritenuta responsabile per qualsiasi difetto di isolamento che possa verificarsi nel circuito che alimenta i nostri prodotti.

Free2move eSolutions S.p.A. non può essere ritenuta responsabile di eventuali danni ai nostri prodotti sottoposti a test di resistenza all'isolamento sul campo.

1.7. **Esclusione di responsabilità per l'accuratezza dei contenuti**

Questo documento è stato accuratamente controllato dal produttore Free2move eSolutions S.p.A., ma non è possibile escludere completamente eventuali sviste. Se si notano errori, si prega di informare Free2move eSolutions S.p.A. (vedere la sezione 9).

Fatta eccezione per gli obblighi contrattuali espliciti, in nessun caso Free2move eSolutions S.p.A. potrà essere ritenuta responsabile per eventuali perdite o danni derivanti dall'uso del presente manuale o dall'installazione dell'apparecchiatura.

Free2move eSolutions S.p.A. non sarà responsabile di eventuali danni causati direttamente o indirettamente a persone, cose o animali a causa della mancata osservanza di tutte le disposizioni contenute nel presente Manuale e delle avvertenze relative all'installazione e alla manutenzione del Caricatore.

Free2move eSolutions S.p.A. si riserva tutti i diritti sul presente documento, sull'articolo e sulle illustrazioni in esso contenute. È vietata la riproduzione, totale o parziale, la divulgazione a terzi o l'utilizzo dei suoi contenuti senza il preventivo consenso scritto di Free2move eSolutions S.p.A.

Le informazioni contenute nel presente manuale possono essere modificate senza preavviso e non rappresentano alcun obbligo da parte del produttore. Le immagini contenute in questo manuale sono solo a scopo illustrativo e potrebbero differire dal prodotto consegnato.

Questo documento è stato originariamente scritto in inglese. In caso di incongruenze o dubbi, si prega di richiedere a Free2move eSolutions S.p.A. il documento originale.

1.8. Glossario

Termine	Descrizione
Notazione CIDR	La notazione CIDR è scritta come un indirizzo IP (vedi IPv4) seguito da una barra (/) e dal numero di bit della maschera di sottorete. Ad esempio, 192.168.1.1/24 significa indirizzo 192.168.1.1 e maschera di sottorete 255.255.255.0.
CP	Pilota di controllo: Pilota per la segnalazione di preinserimento dei connettori EV di tipo 2.
CPMS	Sistema di gestione dei punti di ricarica: Sistema di gestione che supporta una gestione avanzata dell'energia e una maggiore sicurezza.
DHCP	Dynamic Host Configuration Protocol: Protocollo di gestione della rete utilizzato per assegnare automaticamente gli indirizzi IP ai dispositivi di una rete.
DNS	Sistema dei nomi di dominio: Un sistema gestito da un server DNS che traduce i nomi di dominio leggibili dall'uomo in indirizzi IP.
DPM	Gestione dinamica della potenza
EMS	Sistema di gestione dell'energia: Un sistema che fornisce servizi di ottimizzazione energetica. L'EMS è collegato al caricatore tramite Modbus RS485 o Ethernet TCP/IP.
EV	Veicolo elettrico
IP	Protocollo Internet: Il protocollo principale utilizzato per spostare i pacchetti di dati su Internet. Vedere anche IPv4.
IPv4	Il protocollo IPv4 si basa su un'etichetta di 32 bit assegnata a ciascun dispositivo collegato in rete. Gli indirizzi IPv4 sono tipicamente scritti in notazione decimale punteggiata, che consiste in quattro numeri separati da punti (ad esempio, 192.168.1.1).
M/S	Principale/Satellite
Modbus	Un popolare protocollo di comunicazione sviluppato per uso industriale per consentire la comunicazione tra dispositivi elettronici.
Ocpp	Ocpp (Open Charge Point Protocol): Uno standard aperto che consente la comunicazione e l'interoperabilità tra le stazioni di ricarica EV e i sistemi di gestione (vedi CPMS).
PP	Pilota di prossimità: Pilota per la segnalazione post-inserimento dei connettori EV di tipo 2.
PV	Fotovoltaico
DPI	Dispositivi di protezione individuale
RCM	Monitoraggio della corrente residua
RS485	Standard popolare che definisce le caratteristiche elettriche di driver e ricevitori da utilizzare nei sistemi di comunicazione seriale multipunto.
SOM	Modulo System On: Il modulo plug-in che contiene i componenti informatici principali.
TCP/IP	Transmission Control Protocol/Internet Protocol: Una serie di protocolli di comunicazione utilizzati per collegare i dispositivi di rete su Internet, con il TCP che fornisce una trasmissione affidabile e l'IP che gestisce l'indirizzamento e il routing (vedere IP).
RAEE	Rifiuti da apparecchiature elettriche ed elettroniche

2. SICUREZZA

2.1. Sicurezza del prodotto

Questo manuale contiene importanti istruzioni di sicurezza che devono essere seguite durante l'installazione e la manutenzione del prodotto. Conservare questo manuale come riferimento per tutta la durata del prodotto, poiché contiene informazioni essenziali per un uso sicuro ed efficace. Si noti che se il caricatore viene utilizzato in modo diverso da quello specificato nel presente manuale, la protezione fornita dal caricatore potrebbe essere compromessa.

L'installazione deve essere eseguita da personale qualificato (vedi 2.2). È necessario progettare e installare un sistema di alimentazione elettrica dedicato e all'avanguardia, che deve essere certificato in conformità alle normative locali e al contratto di fornitura energetica.

In qualità di tecnici addetti all'installazione e alla manutenzione, siete tenuti a leggere e comprendere appieno il presente manuale e a seguire scrupolosamente le istruzioni in esso contenute. Free2move eSolutions S.p.A. non può essere ritenuta responsabile per eventuali danni causati a persone e/o cose, o al caricatore, se non vengono rispettate le condizioni descritte in questo documento.



AVVERTENZA

L'installazione deve essere eseguita in conformità alle norme vigenti nel paese di installazione e nel rispetto di tutte le norme di sicurezza per l'esecuzione di lavori elettrici.

2.2. Qualifiche richieste per l'installatore

L'installatore deve essere qualificato, avendo ricevuto una formazione adeguata e dimostrato le competenze e le conoscenze necessarie per l'installazione, il funzionamento e la manutenzione delle apparecchiature di alimentazione dei veicoli elettrici, in conformità a tutte le normative vigenti.

Gli installatori qualificati sono in grado di identificare le situazioni di pericolo imminenti e potenziali e di agire in sicurezza.

Per la configurazione di Ethernet TCP/IP è necessaria una conoscenza di base della rete IP.

2.3. Importanti avvertenze di sicurezza

Per la vostra sicurezza e quella degli altri, è importante che leggete e comprendiate le seguenti avvertenze di sicurezza prima di installare e utilizzare il caricatore.



PERICOLO

Rischio di scosse elettriche e incendio. L'installazione deve essere eseguita in conformità alle norme vigenti nel paese di installazione e nel rispetto di tutte le norme di sicurezza per l'esecuzione di lavori elettrici.

- Prima di installare o utilizzare il caricatore, accertarsi che nessun componente sia stato danneggiato. I componenti danneggiati possono provocare folgorazioni, cortocircuiti e incendi dovuti al surriscaldamento. Un dispositivo danneggiato o difettoso non deve essere utilizzato.
- Installare il caricatore lontano da taniche di benzina o da sostanze combustibili in generale.
- Prima di installare il caricatore, accertarsi che la fonte di alimentazione principale sia stata scollegata.
- Il caricatore deve essere collegato a una rete elettrica conforme alle norme locali e internazionali e a tutti i requisiti tecnici indicati nel presente manuale.
- I bambini o altre persone non in grado di valutare i rischi legati all'installazione e all'uso del caricatore potrebbero subire gravi lesioni o mettere in pericolo la propria vita.
- Gli animali domestici o di altro tipo devono essere tenuti lontani dal dispositivo e dal materiale di imballaggio.
- I bambini non devono giocare con il caricatore, gli accessori o l'imballaggio fornito con il prodotto.
- Le uniche parti che possono essere rimosse dal caricatore sono la Cornice esterna e la Cover rimovibile.
- Il caricatore può essere utilizzato solo con una fonte di energia.
- È necessario adottare le precauzioni necessarie per garantire un funzionamento sicuro con i dispositivi medici impiantabili attivi. Per stabilire se il processo di carica può avere effetti negativi sul dispositivo medico, contattare il produttore.

2.4. Messaggi di sicurezza

Per garantire la sicurezza e prevenire i danni, questo manuale contiene diversi testi di precauzione con istruzioni specifiche. Queste istruzioni sono evidenziate in apposite caselle di testo e sono accompagnate da un simbolo di pericolo generale (ad eccezione di AVVISO e NOTA, che non sono associati a situazioni di pericolo specifiche). Questi testi di precauzione sono forniti per garantire la sicurezza del personale che esegue le operazioni descritte e per prevenire danni al caricatore e/o alle cose.



PERICOLO

La mancata osservanza delle istruzioni comporta una situazione di pericolo imminente che, se non viene evitata, può causare la morte immediata o lesioni gravi o permanenti.



AVVERTENZA

La mancata osservanza delle istruzioni comporta una situazione potenzialmente pericolosa che, se non evitata, può causare morte o gravi lesioni.



ATTENZIONE

La mancata osservanza dell'avvertenza comporta una situazione potenzialmente pericolosa che, se non evitata, potrebbe causare danni minori al caricatore.

AVVISO

Fornisce istruzioni sull'uso dei comportamenti necessari per gestire le operazioni non associate a possibili lesioni fisiche.

NOTA: fornisce informazioni supplementari a integrazione delle istruzioni fornite.

2.4.1. Simboli e definizioni



Avviso generale



È necessario consultare il manuale originale e la documentazione aggiuntiva



Divieto o restrizioni



Sebbene non siano costituiti da materiali dannosi per la salute, i prodotti non devono essere smaltiti insieme ai rifiuti domestici ma devono essere raccolti separatamente, poiché sono costituiti da materiali che possono essere riciclati.



Pericolo di tensione elettrica





Pericolo di superfici calde

2.5. Dispositivi di protezione individuale (DPI)

I Dispositivi di Protezione Individuale (DPI) sono dispositivi destinati a essere indossati dai lavoratori per proteggerli da uno o più rischi che possono minacciare la loro salute o sicurezza sul lavoro. Comprende qualsiasi dispositivo o accessorio progettato a tale scopo.

Poiché tutti i DPI elencati nel presente manuale sono progettati per proteggere il personale dai rischi per la salute e la sicurezza, si raccomanda di attenersi scrupolosamente alle istruzioni fornite nelle varie sezioni del manuale.

Di seguito è riportato un elenco di DPI da utilizzare per proteggersi dai rischi residui associati alle operazioni di installazione e manutenzione descritte nel presente documento.

Simbolo	Significato
	Indossare guanti protettivi
	Indossare calzature antistatiche



ATTENZIONE

In qualità di tecnico dell'installazione e della manutenzione, è responsabilità dell'utente leggere e comprendere le normative locali e valutare le condizioni ambientali del sito di installazione per determinare se sono necessari ulteriori DPI.

3. INFORMAZIONI GENERALI

3.1. eProWallbox eProWallbox Move

eProWallbox e **eProWallbox Move** sono caricatori CA per veicoli elettrici e ibridi plug-in, ideali per applicazioni semi-pubbliche e residenziali. Sono disponibili nelle configurazioni trifase o monofase e sono dotati di una presa di tipo 2.

Possono caricare veicoli elettrici fino a 22 kW in trifase o fino a 7,4 kW in monofase.

Includono opzioni di connettività come il monitoraggio remoto tramite il Charge Point Management System (CPMS). Il modello **eProWallbox** (vedi 1.1) è dotato di una scheda SIM per la connessione alla rete mobile e di un lettore di schede RFID per autorizzare la ricarica.

Più caricatori possono condividere lo stesso punto di connessione alla rete elettrica e bilanciare dinamicamente il carico utilizzando una rete di caricatori principale/satellitare (M/S) basata su RS485.

Questo documento descrive come installare il caricatore. Viene fornita una descrizione delle sue caratteristiche per identificare i componenti chiave e definire i termini tecnici utilizzati nel presente manuale.

AVVISO

Per le istruzioni sull'uso del caricatore, consultare il manuale d'uso (vedere il capitolo 1.4). 1.4)

3.2. Campi di utilizzo

I prodotti descritti in questo documento sono caricatori per veicoli elettrici. La seguente classificazione (secondo la norma IEC 61851-1) ne identifica le caratteristiche:

- Alimentazione: collegata in modo permanente alla rete di alimentazione CA
- Uscita: Corrente alternata
- Condizioni ambientali: uso interno/esterno
- Installazione fissa
- Protezione contro le scosse elettriche: Classe I
- Classificazione ambientale EMC: Classe B
- Tipo di carica: Modo 3 secondo lo standard IEC 61851-1
- Funzione opzionale per la ventilazione non supportata

AVVISO

Free2move eSolutions S.p.A. declina ogni responsabilità per danni di qualsiasi tipo derivanti da un uso scorretto o incauto del prodotto.

3.3. Etichetta di identificazione

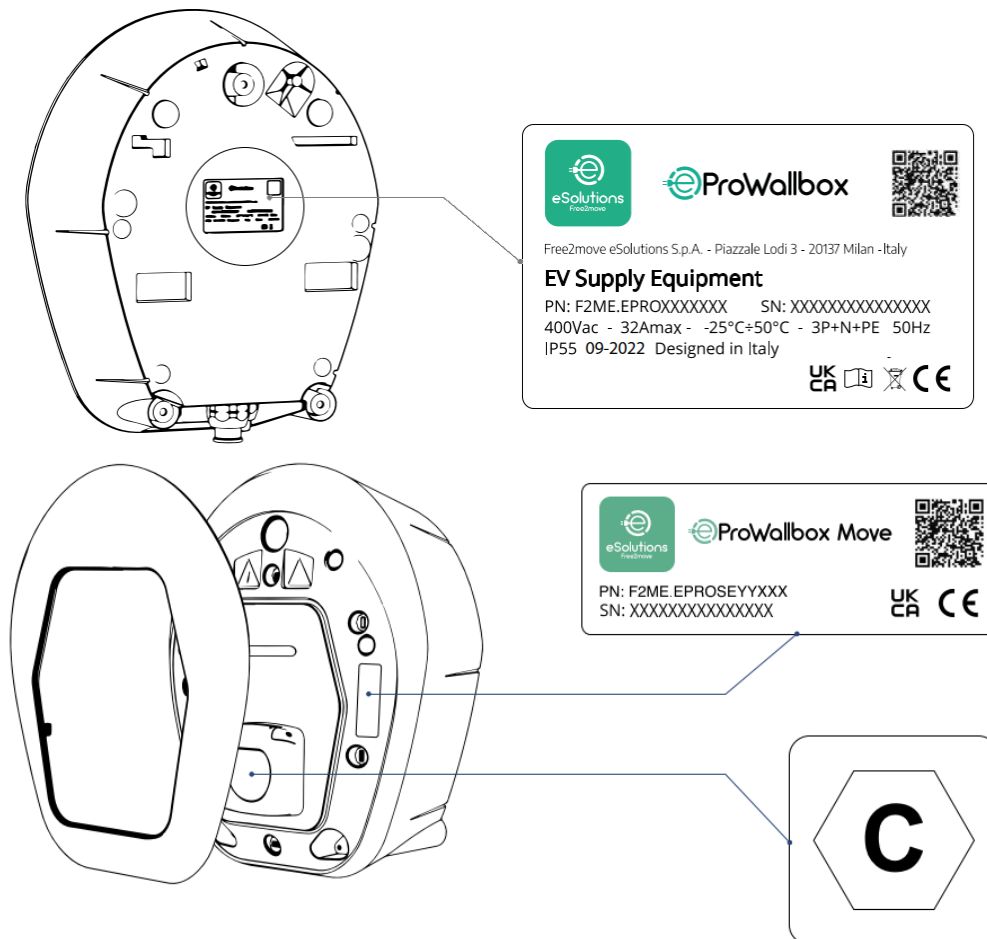
Le informazioni sul prodotto riportate sull'etichetta sono illustrate nella figura seguente (modello **eProWallbox Move** nell'esempio).

NOTA: I dettagli possono differire da quelli mostrati nella figura, a seconda della versione del prodotto.


È possibile trovare anche il numero di parte (PN) e il numero di serie (SN):

- Sulla confezione
- Nell'**applicazione Utente** (vedere 3.8), dopo aver associato il caricatore al profilo dell'utente
- Nel programma di installazione App **PowerUp** (vedere 3.8), dopo l'associazione con il codice QR

Il codice QR è lo stesso su entrambe le etichette e viene utilizzato per completare l'installazione nell'App di installazione.

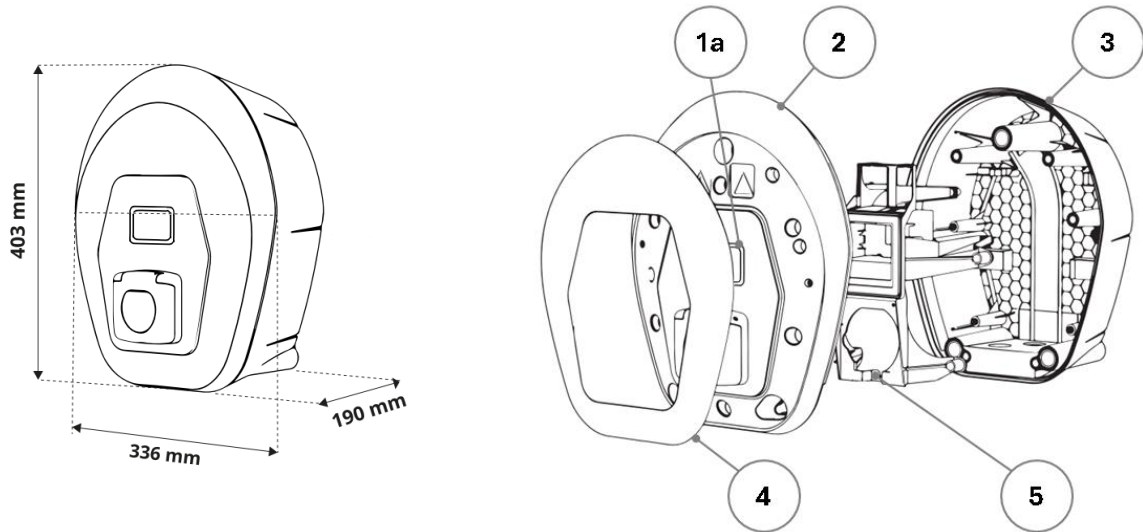


L'etichetta C indica il tipo di presa.

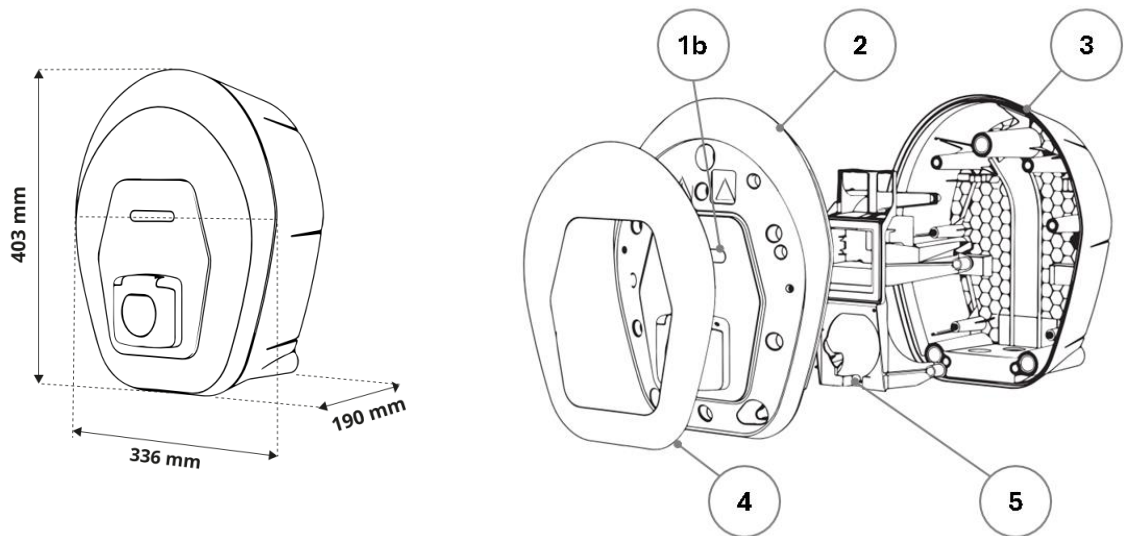
AC	EN 62196-2	TIPO 2	Spina e presa di corrente	≤ 480 V RMS	
-----------	-------------------	---------------	----------------------------------	--------------------	---

3.4. Dimensioni e caratteristiche del prodotto

eProWallbox



eProWallbox Move



- 1a) Display
- 1b) Barra LED
- 2) Cover
- 3) Base
- 4) Cornice esterna
- 5) Base centrale

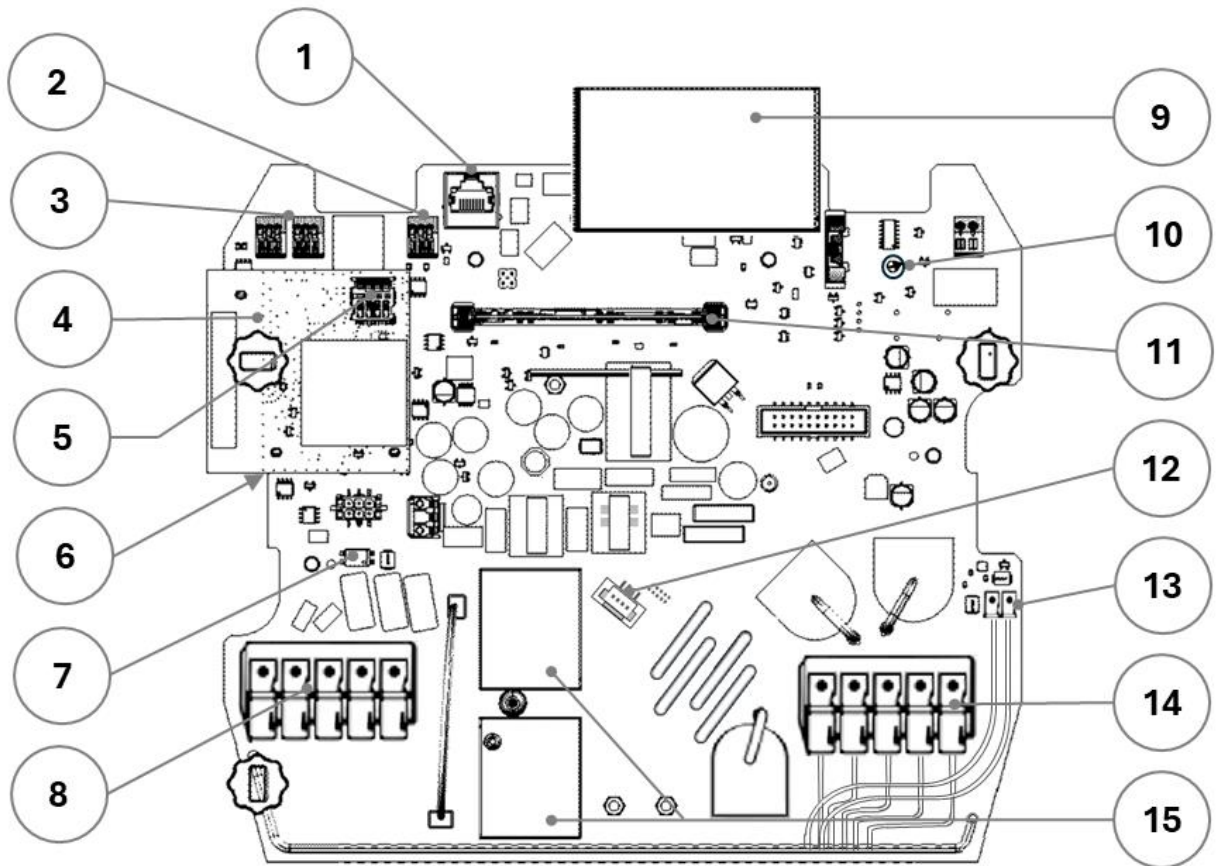
3.5. Specifiche tecniche

	eProWallbox	eProWallbox Move
Modalità di ricarica	Modo 3 - caso B	
Connettore standard	IEC 62196-2 Tipo2	
Caratteristiche della connessione	Presa di corrente con coperchio e otturatore interno	
Marchatura	CE, UKCA, TÜV	
Specifiche generali	eProWallbox	eProWallbox Move
Dimensioni [mm]	403x336x190	
Peso [kg]	~ 3,8 (senza cavo)	
Grado di protezione	IP55 (IEC 60529)	
Grado di protezione dagli impatti	IK08 (IEC 62262)	
Alloggiamento	Plastica resistente ai raggi UV	
Colori standard	Nero - RAL 9005 Bianco - RAL 9003	
Colori personalizzati	Opzionale	
Marchio personalizzato	Opzionale	
Specifiche elettriche	eProWallbox	eProWallbox Move
Potenza [kW]	Fino a 7,4 monofase Fino a 22 trifase	
Tensione [V] / Frequenza [Hz]	230 / 50-60 monofase 400 / 50-60 trifase	
Corrente [A]	Fino a 32	
Installazione elettrica	3P+N+PE, 32A, 400 V / 50-60 Hz; P+N+PE, 32A, 230V / 50-60 Hz	
Sistema di alimentazione in corrente alternata	TT, TN, IT	
Sicurezza e funzionamento	eProWallbox	eProWallbox Move
Intervallo di temperatura di esercizio [°C]	-25/+50 (senza esposizione diretta alla luce solare)	
Protezione dal surriscaldamento	Con limitazioni di potenza	
Resistenza all'umidità	< 95% (senza condensa)	
Classificazione antincendio degli alloggi	UL94 V-0 GWFI 960	
Categoria di sovratensione	OVC III	
Monitoraggio della corrente residua	6 mA Dispositivo RCM sensibile alla CC incluso per le perdite di CC	
Altezza massima di installazione [m]	2000 s.l.m.	
Montaggio	Parete o piedistallo	
Connettività e caratteristiche	eProWallbox	eProWallbox Move
4G LTE (*)	Per OCPP	Non disponibile
Letto RFID (*)	Per l'autorizzazione del Charging Pass (RFID)	Non disponibile
HMI	Display touchscreen TFT da 3,5 pollici	Barra LED RGB
RS485 Modbus RTU	2 porte di comunicazione con la rete dei Caricatori EMS e M/S	
Bluetooth LE 5.0	Per le applicazioni mobili per utenti e installatori	
Wi-Fi	2,4 GHz	
Ethernet	100 Mbps per OCPP e Modbus TCP/IP	
Comunicazione backend	OCPP 1.6j	
Aggiornamento firmware over-the-air	Attraverso l'OCPP	
Contatore di energia (integrato)	Non MID interno, MID esterno opzionale	
Gestione del carico	Gestione dinamica della potenza con PowerMeter (DPM) esterno opzionale. Gestione statica del carico per la rete di Charger Network M/S	
Rilevamento dello squilibrio di fase della corrente	Configurabile tramite app	
Connessione al backend (CPMS)	CPMS predefinito o URL di terze parti configurabile	
Rete di Caricatori M/S	Più Caricatori condividono lo stesso punto di connessione alla rete elettrica e bilanciano dinamicamente il carico.	
Compatibilità con il solare fotovoltaico (PV)	Integrazione del fotovoltaico attraverso la funzione di ricarica solare sull'App	

(*) Solo per il modello **eProWallbox**, non disponibile per il modello **eProWallbox Move**.

3.6. Layout della scheda madre

La seguente illustrazione mostra i componenti principali della scheda madre:

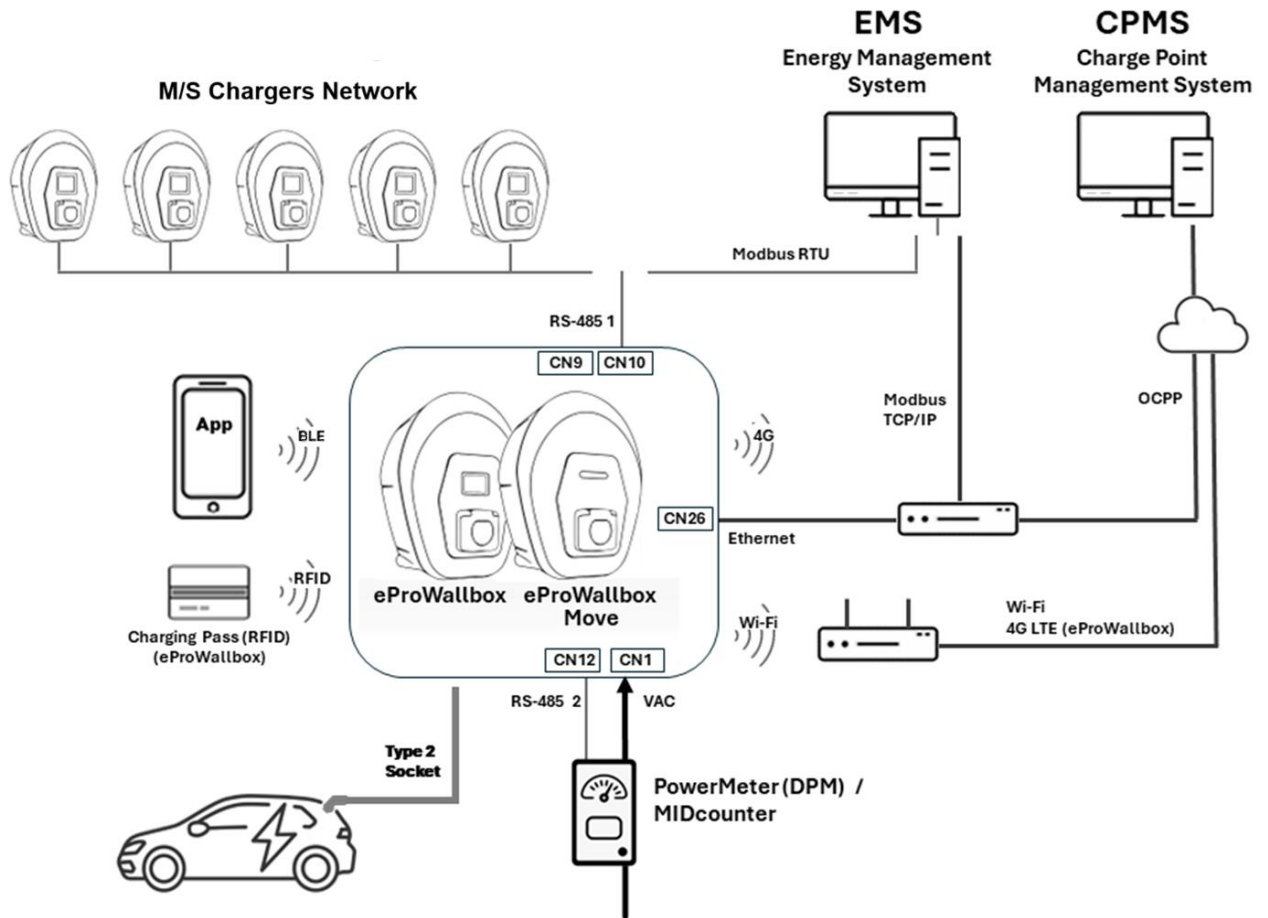


- | | |
|--|--|
| 1) CN26 - Porta Ethernet | 9) Lettore RFID (*) |
| 2) CN12 - RS485 (solo Contatore) | 10) SW1 - Rotary Switch |
| 3) CN9-CN10 - RS485 | 11) Modulo System On (SOM) |
| 4) Scheda 4G LTE (*) | 12) CN27 - Connettore per il monitoraggio della corrente residua |
| 5) Scheda SIM (*) | 13) PP/CP |
| 6) Wi-Fi e BLE (sulla scheda principale, sotto la scheda 4G LTE) | 14) Contatti di uscita di Potenza |
| 7) SW2 - Interruttore DIP (potrebbe non essere presente) | 15) Relè |
| 8) CN1 - Contatti ingresso Potenza | |

(*) Solo per il modello **eProWallbox**. Non disponibile sul modello **eProWallbox Move**.

3.7. Schema di collegamento

L'immagine seguente mostra i collegamenti del caricatore.



3.8. Applicazioni

La configurazione tecnica e il funzionamento del caricatore vengono eseguiti tramite le seguenti applicazioni mobili, disponibili su Google Play™ e Apple Store®.

3.8.1. App installatore

Scarica
PowerUp



3.8.2. App utente

eSolutions
Charging App



4. INSTALLAZIONE

4.1. Flusso di lavoro dell'installazione

Per installare il caricatore, seguire i seguenti passaggi. I passaggi sono descritti in dettaglio nelle sezioni successive.

- 1) Soddisfare i requisiti di installazione, che comprendono diverse fasi. Vedi 4.2.
- 2) Controllare/installare la protezione elettrica esterna. Vedere 4.3.
- 3) Montare il caricatore a parete. Vedere 4.4.
- 4) Collegare l'alimentazione. Vedere 4.5.
- 5) Impostare la potenza massima sul Rotary Switch SW1. Vedere 4.6.
- 6) Impostare l'interruttore DIP SW2. Vedere 4.7.
- 7) Se necessario, installare PowerMeter (DPM) e MIDcounter. Vedere 4.8.
- 8) Se necessario, cablare i collegamenti RS485. Vedere 4.9.
- 9) Se necessario, cablare la connessione Ethernet. Vedere 4.10.
- 10) Eseguire un controllo del sistema, chiudere il sistema e accenderlo. Vedere 4.11.
- 11) Procedere con le fasi di messa in servizio. Vedere 5.1.

4.2. Requisiti di installazione s

4.2.1. Conoscere i criteri di sicurezza



PERICOLO

Prima di eseguire qualsiasi operazione, spegnere l'alimentazione.



PERICOLO

La mancata osservanza delle istruzioni contenute in questo manuale può causare gravi danni sia al prodotto che all'installatore. Nei casi più gravi, le lesioni possono essere fatali.

Leggere attentamente il presente manuale prima di installare, accendere e utilizzare il prodotto.



PERICOLO

Verificare se si è in possesso dei requisiti descritti in 2.2.

Norme e regolamenti applicabili



Prima di installare il caricatore, è necessario rispettare le restrizioni locali specificate nella norma IEC 61851-1. È inoltre responsabilità dell'utente verificare che tali norme siano ancora in vigore e controllare eventuali ulteriori regolamenti locali che potrebbero limitare l'uso di questo prodotto nel paese di installazione. È inoltre responsabilità dell'utente verificare che tali norme siano ancora in vigore e controllare l'esistenza di eventuali ulteriori normative locali che potrebbero limitare l'uso di questo prodotto nel paese di installazione.



PERICOLO

L'installazione deve essere conforme ai requisiti della norma IEC 60364-7-722.

DPI necessari per le attività di installazione

	Indossare guanti protettivi
	Indossare calzature antistatiche

4.2.2. Verificare la compatibilità del sito di installazione

Prima di procedere all'installazione, accertarsi che:

- Assicurarsi che le condizioni ambientali (come la temperatura, l'altitudine e l'umidità) siano conformi alle specifiche del prodotto (vedi 3.5).
- L'area di installazione deve essere sufficientemente ventilata per garantire una corretta dispersione del calore.
- Lo spazio deve essere sufficiente per consentire il corretto spostamento del cavo di ricarica. Deve inoltre consentire all'utente di eseguire in sicurezza gli interventi di manutenzione ordinaria o straordinaria.
- L'area di lavoro è considerata un'area pericolosa e deve essere adeguatamente delimitata per impedire l'accesso a persone non coinvolte nell'installazione.
- Non installare il caricatore in presenza di pioggia, nebbia o umidità elevata.

NOTA: È necessario considerare lo spazio necessario per parcheggiare il veicolo elettrico da ricaricare.

Il caricatore non deve essere installato in luoghi

- Caratterizzato da atmosfere potenzialmente esplosive (secondo la direttiva 2014/24/UE)
- Utilizzato per le vie di fuga
- Dove può cadere un oggetto (ad esempio, scale sospese o pneumatici di automobili) o dove è probabile che venga colpito e danneggiato (ad esempio, vicino a una porta o nelle aree di servizio dei veicoli).
- Dove c'è il rischio di getti d'acqua in pressione (ad esempio, autolavaggi, idropultrici o tubi da giardino).



ATTENZIONE

Assicurarsi che nell'area di installazione non vi siano fonti di calore, sostanze infiammabili o fonti elettromagnetiche.

AVVISO

Se è necessaria la connettività del Caricatore, assicurarsi che l'area scelta sia coperta dalla rete Wi-Fi.



ATTENZIONE

Il caricatore è progettato per resistere alla luce solare diretta e alle condizioni atmosferiche avverse. Tuttavia, per prolungarne la durata e limitare la limitazione termica, si raccomanda di proteggere l'unità dalla luce solare diretta e dalla pioggia con una tettoia.

Per la scelta della posizione in cui installare il caricatore è necessario attenersi alle seguenti indicazioni:

- Evitare pareti non stabili e sicure
- Evitare pareti in materiale infiammabile o coperte da materiale infiammabile (ad es. legno, moquette, ecc.).
- Evitare l'esposizione diretta alla pioggia per garantire che le intemperie non causino alcun deterioramento.
- Garantire una ventilazione sufficiente per il caricatore - non montarlo all'interno di una nicchia o di un armadio.
- Evitare l'accumulo di calore: tenere il caricatore lontano da fonti di calore.
- Evitare l'esposizione alle infiltrazioni d'acqua
- Evitare sbalzi di temperatura eccessivi

4.2.3. Verificare l'Alimentazione



AVVERTENZA

Il progetto dell'intero impianto elettrico a cui deve essere collegato il caricatore deve essere determinato da un professionista qualificato. I dati elettrici del caricatore, che devono essere consultati per dimensionare correttamente il sistema di alimentazione, sono riportati sull'etichetta di identificazione (cfr. 3.3).



AVVERTENZA

Non installare il caricatore con le mani bagnate.



ATTENZIONE

Non dirigere in nessun caso un getto d'acqua verso il caricatore della batteria.

4.2.4. Verifica dei requisiti della rete di Charger Network M/S

La rete di Caricatori M/S (Principali/Satelliti) (vedi anche 5.11.2) consente a un caricatore principale di coordinare fino a cinque caricatori satelliti tramite un collegamento di comunicazione RS485. Il coordinamento garantisce un funzionamento equilibrato distribuendo dinamicamente la potenza disponibile in modo uniforme ai caricatori collegati, in base alla capacità massima di potenza nel punto di connessione comune.

Quando si dimensiona il gruppo di caricatori in rete, **assicurarsi di avere la potenza minima disponibile nel punto di connessione**, come mostrato di seguito:

- Per un'installazione monofase, la potenza minima richiesta è di 2 kW per caricatore collegato in rete.
- Per un'installazione trifase, la potenza minima richiesta è di 6 kW per caricatore collegato in rete.

Esempio: Per un gruppo di 2 caricatori monofase, è necessario un minimo di 4 kW.

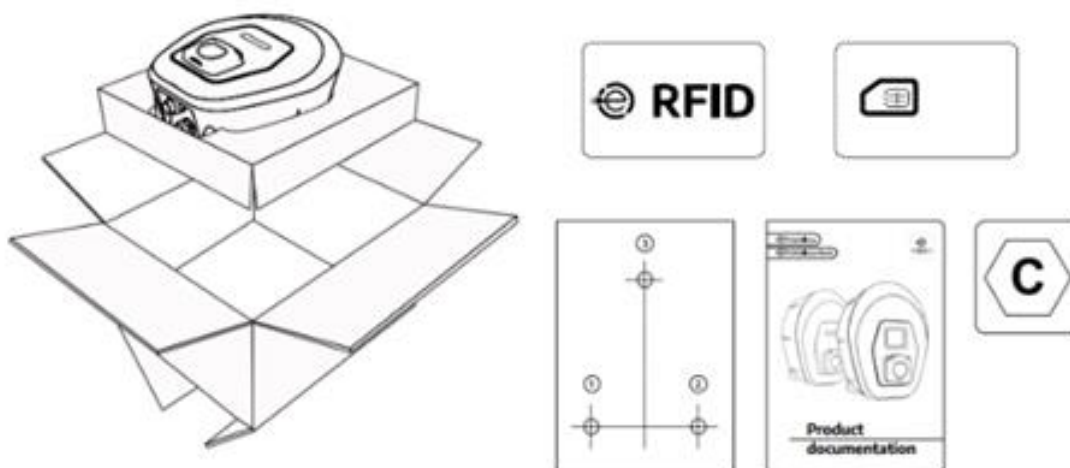
4.2.5. Verificare la confezione del prodotto

Verificare che l'imballaggio sia intatto e privo di danni evidenti. Se il caricatore e/o l'imballo sono danneggiati, interrompere il processo di installazione e richiedere assistenza (vedere la sezione 9).

Il pacchetto comprende i seguenti elementi:

- 1 Charging Pass (RFID) (solo modello **eProWallbox**, P/N F2ME.EPROSCYYXXX).
- 1 Scheda SIM installata (solo modello **eProWallbox**, P/N F2ME.EPROSCYYXXX).
- 1 dima di foratura per l'installazione
- Documentazione del prodotto

NOTA: la confezione del modello **eProWallbox Move** (P/N F2ME.EPROSEYYXXX) non include il Charging Pass (RFID) e la scheda SIM.

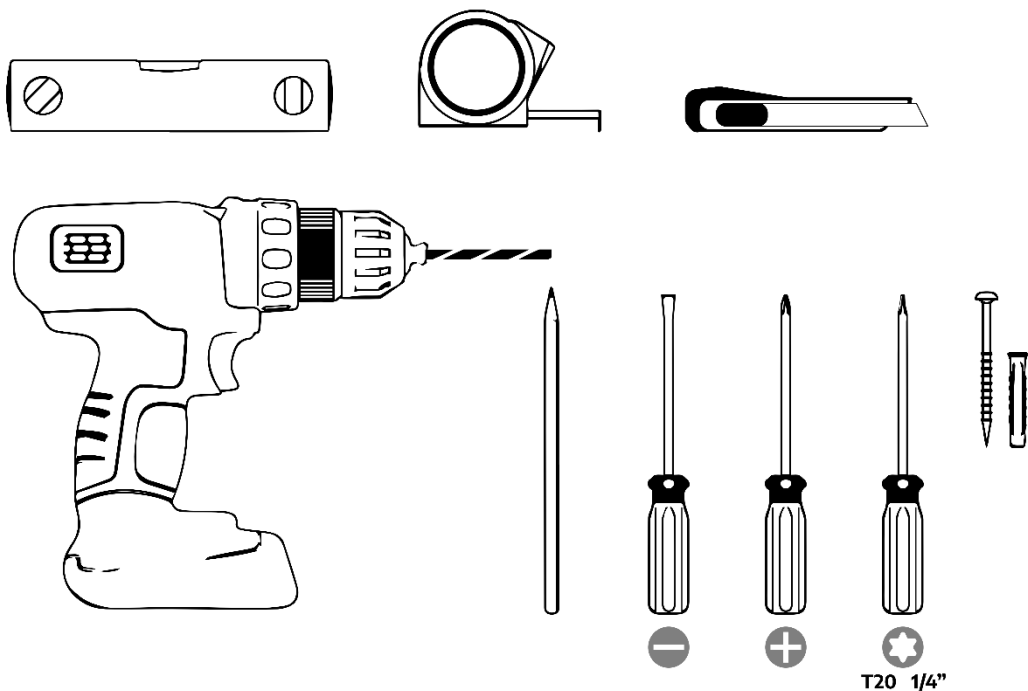


4.2.6. Procuratevi gli strumenti necessari

L'elenco comprende:

- Cacciavite Torx T20 1/4"
- Cacciavite a croce (lunghezza minima =160 mm)
- Cacciavite a taglio (testa < 2 mm)
- 3x tasselli $\varnothing 10 \times 50$ mm con viti
- Trapano con punta da $\varnothing 10$ mm 3/8
- Taglierino
- Martello
- Matita
- Livella a bolla d'aria
- Metro
- Nastro adesivo

NOTA: Il caricatore è dotato di 2 raccordi scatola-guaina che possono essere sostituiti con pressacavi $\varnothing 25$ mm (non inclusi nella fornitura).



AVVERTENZA

Non utilizzare cacciaviti elettrici per assemblare il caricatore o per fissarlo alla parete. Free2move eSolutions S.p.A. declina ogni responsabilità per danni a persone o cose derivanti dall'uso di tali strumenti.

4.3. Protezione elettrica esterna

Il caricatore è dotato di un dispositivo di rilevamento della corrente continua da 6 mA CC. In conformità alla norma IEC 61851-1, il caricatore deve essere protetto a monte da dispositivi di protezione elettrica esterni come indicato nelle seguenti linee guida. Il caricatore non è dotato di un sistema di rilevamento dei guasti PEN.

Interruttore magnetotermico (MCB): 1P/P3+N, curva C consigliata, capacità nominale di cortocircuito di almeno 6kA. Corrente nominale in base all'alimentazione e all'impostazione del caricatore con un massimo di 40A; ad esempio, I_{max} 32 A utilizzerà MCB C40. In caso di cortocircuito, il valore di I_{2t} al connettore del veicolo della stazione di ricarica non deve superare i 75000 A²s.

I dispositivi di protezione da sovracorrenti devono essere conformi alle norme IEC 60947-2, IEC 60947-6-2, IEC 61009-1 o alle parti pertinenti delle serie IEC 60898 o IEC 60269.

Interruttore differenziale (RCD): 1P/P3+N, secondo le normative locali, almeno di tipo A. Solo a riarmo manuale. L'RCD deve avere una corrente residua nominale di funzionamento non superiore a 30 mA e deve essere conforme a uno dei seguenti standard: IEC 61008-1, IEC 61009-1, IEC 60947-2 e IEC 62423. L'RCD deve scollegare tutti i conduttori sotto tensione.

Dispositivo di protezione dalle sovratensioni (SPD): Per evitare potenziali danni al veicolo elettrico causati da sovratensione, si consiglia vivamente di proteggere il circuito di alimentazione del punto di connessione con un SPD.

Dispositivo di monitoraggio dell'isolamento (IMD): se installato in sistemi di tipo IT, deve essere installato un dispositivo di monitoraggio dell'isolamento (IMD) conforme alla norma CEI EN 61557-8.



AVVERTENZA.

Per i sistemi di tipo TN, possono esistere ulteriori normative locali specifiche sulla sicurezza del sistema e sulla protezione dai guasti che l'installatore deve comprendere e applicare.

4.4. Montaggio del caricatore a parete



ATTENZIONE

Per il fissaggio del caricatore alla parete, è necessario rispettare le norme nazionali e internazionali in materia di edilizia stabilite dalle norme IEC 60364-1 e IEC 60364-5-52. Il corretto posizionamento della stazione di ricarica è importante per garantirne il corretto funzionamento.

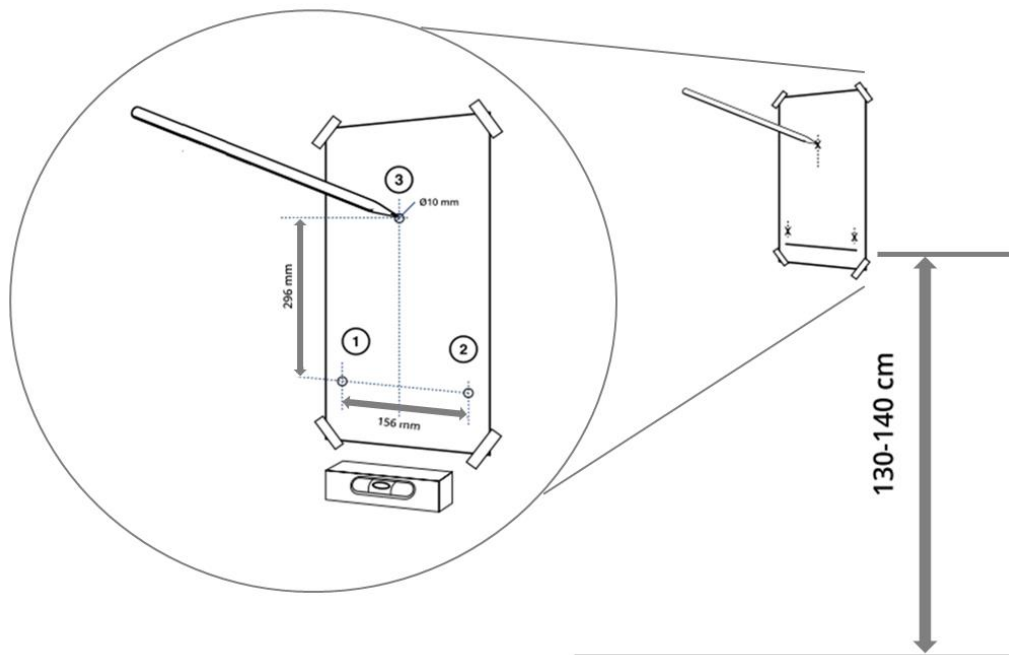
Per fissare il corpo principale alla parete sono necessari **3 tasselli (Ø 10x50 mm)**. Per l'installazione su pareti di materiali diversi (ad esempio, cartongesso), sono necessari tasselli specifici, da installare solo dopo aver verificato il carico massimo consentito.

Prima dell'installazione, è necessario determinare la posizione e le distanze dalle pareti:

- Si consiglia di mantenere una **distanza di 50-60 cm dalle altre pareti** per facilitare l'installazione e la manutenzione.
- Si consiglia inoltre di installare il caricatore **a un'altezza di 130-140 cm dal pavimento**.
- Per facilitare l'installazione e il montaggio a parete, **utilizzare la dima in dotazione** per praticare i 3 fori di fissaggio. La dima deve essere utilizzata anche per il livellamento con una livella a bolla d'aria.

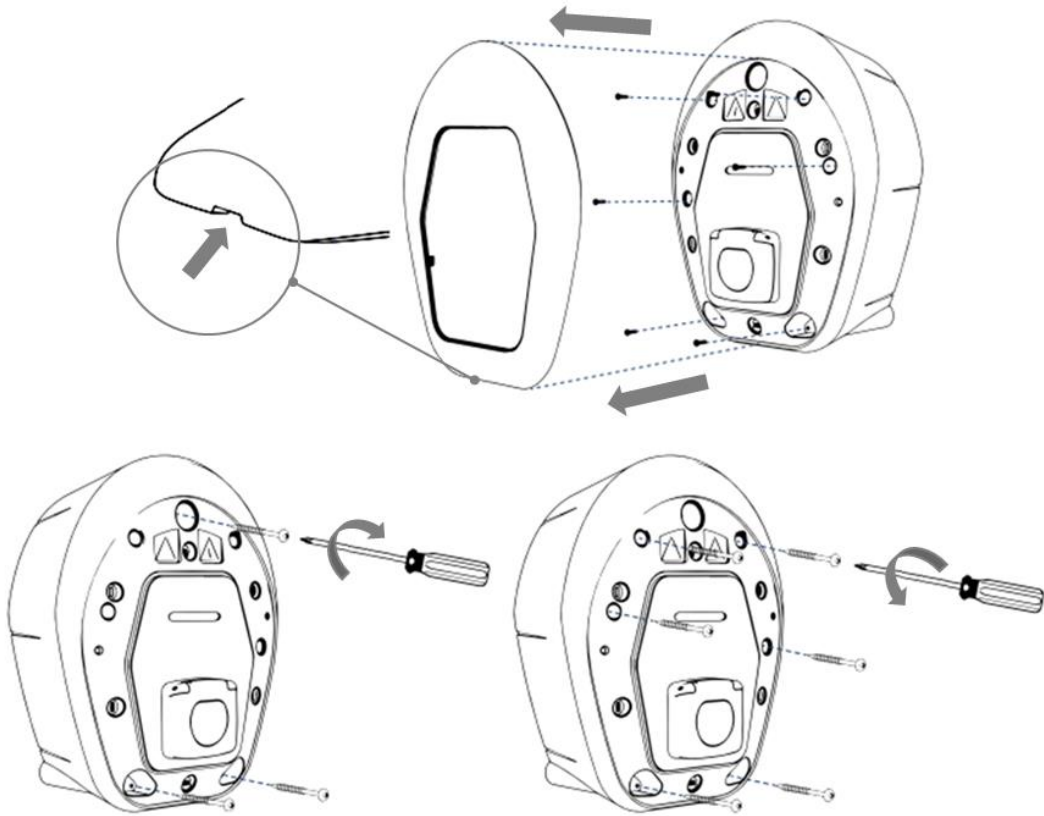
Procedura di montaggio

- 1) Con un trapano, praticare 3 fori da Ø10 mm nei punti di fissaggio contrassegnati. La profondità minima dei fori deve essere di 60 mm. Rimuovere quindi i residui di foratura dai fori.
- 2) Spingere i tasselli di fissaggio nei fori con un martello.



- 3) Rimuovere la Cornice esterna del caricatore utilizzando la scanalatura sul fondo.

- 4) Fissare il caricatore inserendo le 3 viti nei tasselli con un cacciavite a croce.
- 5) Per procedere all'installazione elettrica, estrarre la Cover rimuovendo le 6 viti con un cacciavite Torx T20 ¼".

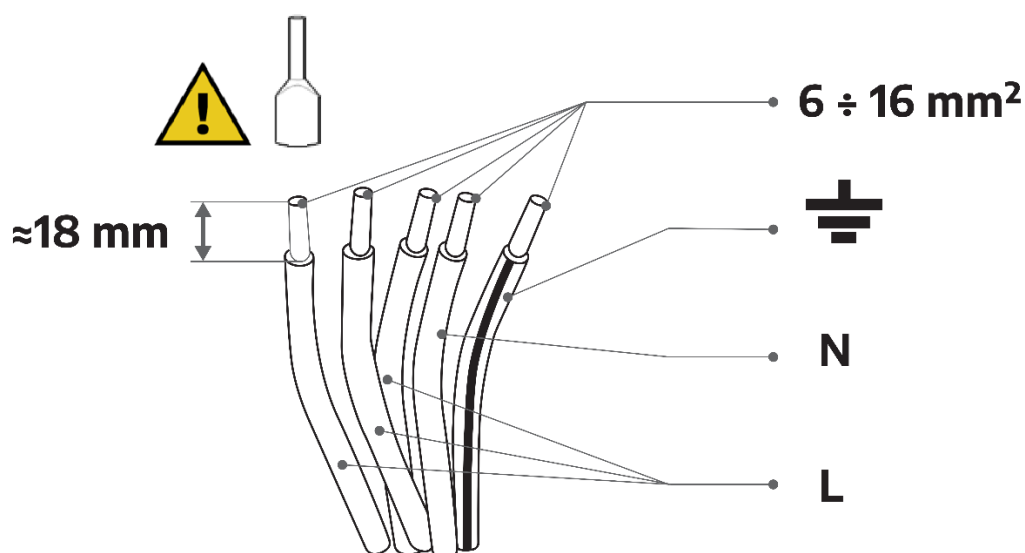


4.5. Collegamento dell'alimentazione al caricatore

Il Caricatore deve essere alimentato da cavi di dimensioni adeguate. Prima di procedere al cablaggio, accertarsi che i cavi siano dimensionati correttamente e che non venga superato il raggio di curvatura massimo consentito.

I dati elettrici del caricatore, da consultare per il corretto dimensionamento del sistema di alimentazione, sono riportati sull'etichetta di identificazione dell'unità. (vedere 3.3).

Seguire le seguenti raccomandazioni:



- **Rischio di gravi danni:** aggiungere sempre puntali da 18 mm ai cavi di alimentazione.
- Dimensione minima consigliata del conduttore: 6 mm²; il connettore di ingresso può accettare anche 4 mm²
- Dimensione massima del conduttore: 16 mm²
- Lunghezza minima di spelatura per i cavi di alimentazione: 18 mm



PERICOLO

Utilizzare sempre puntali per cavi per garantire un collegamento ottimale. Controllare attentamente il collegamento prima di accendere il caricatore.

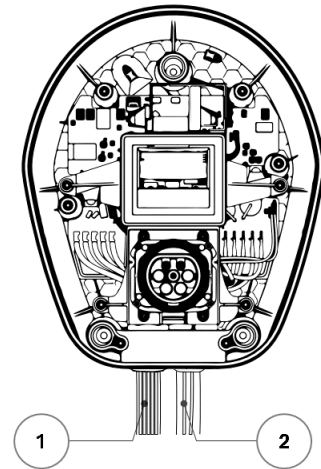
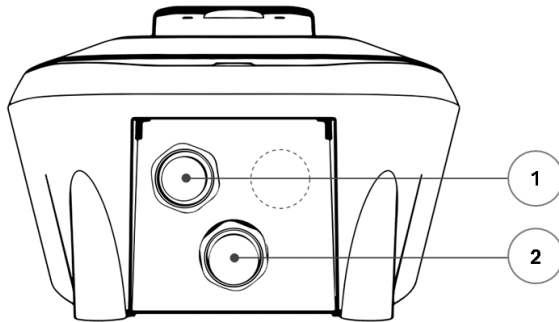
La mancata osservanza di questa precauzione può comportare un grave rischio di danni al prodotto, alle cose o la morte di persone o animali.



PERICOLO

L'alimentazione del caricatore deve rimanere spenta durante questa fase.

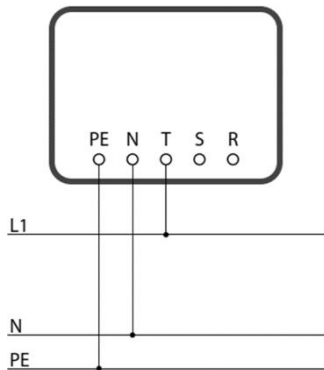
NOTA: la parte inferiore del corpo del caricatore presenta 2 punti di ingresso dei cavi che sono chiusi con tappi protettivi per evitare che polvere o umidità penetrino durante la spedizione.



- 1) Cavi di alimentazione
- 2) Cavi di comunicazione

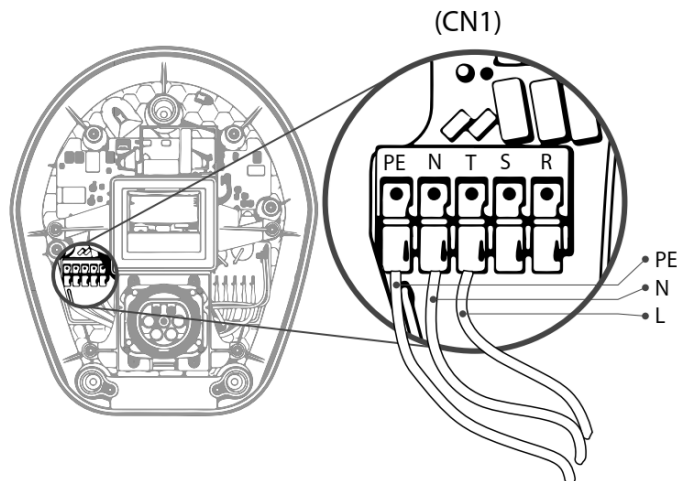
4.5.1. Installazione monofase

Gli schemi seguenti mostrano il collegamento elettrico del caricatore in sistemi monofase.



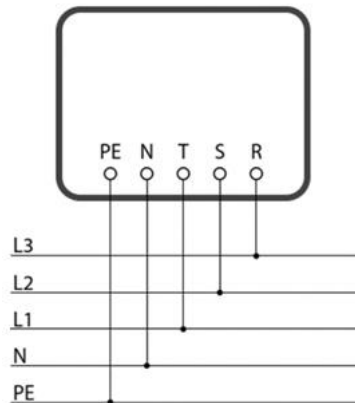
Procedura di installazione

- 1) Rimuovere il cappuccio di protezione dell'ingresso dei cavi di alimentazione e inserire la guaina corrugata Ø 25 mm.
- 2) Serrare il raccordo scatola-guaina del cavo.
- 3) Inserire il cavo di alimentazione e collegarlo alla morsettiera di alimentazione CN1:
 - Cavo di terra a PE
 - Cavo di neutro a N
 - Cavo di fase a T



4.5.2. Installazione trifase

Gli schemi seguenti mostrano il collegamento elettrico del caricatore nei sistemi trifase.

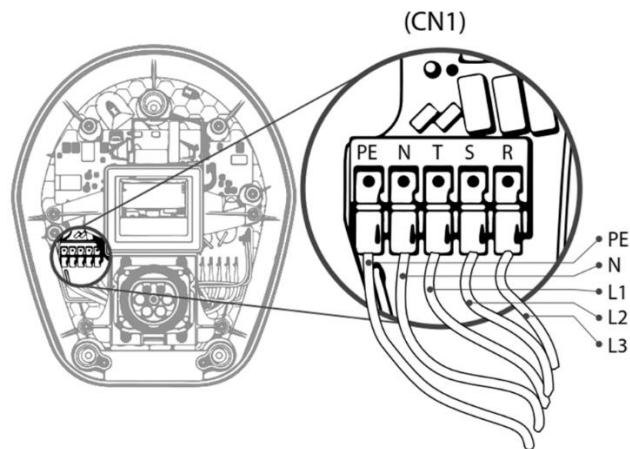


ATTENZIONE

Per le installazioni in sistemi trifase, assicurarsi che i carichi elettrici del sistema (compreso il caricatore) siano ben bilanciati tra le fasi. In caso di installazioni multiple, si raccomanda di ripartire il carico tra tutte le fasi disponibili.

Procedura di installazione

- 1) Rimuovere il cappuccio di protezione dell'ingresso dei cavi di alimentazione e inserire la guaina corrugata \varnothing 25 mm.
- 2) Serrare il raccordo scatola-guaina del cavo.
- 3) Inserire il cavo di alimentazione e collegarlo alla morsettiera di alimentazione CN1:
 - Cavo di terra a PE
 - Cavo di neutro a N
 - Cavi di fase verso T, S, R



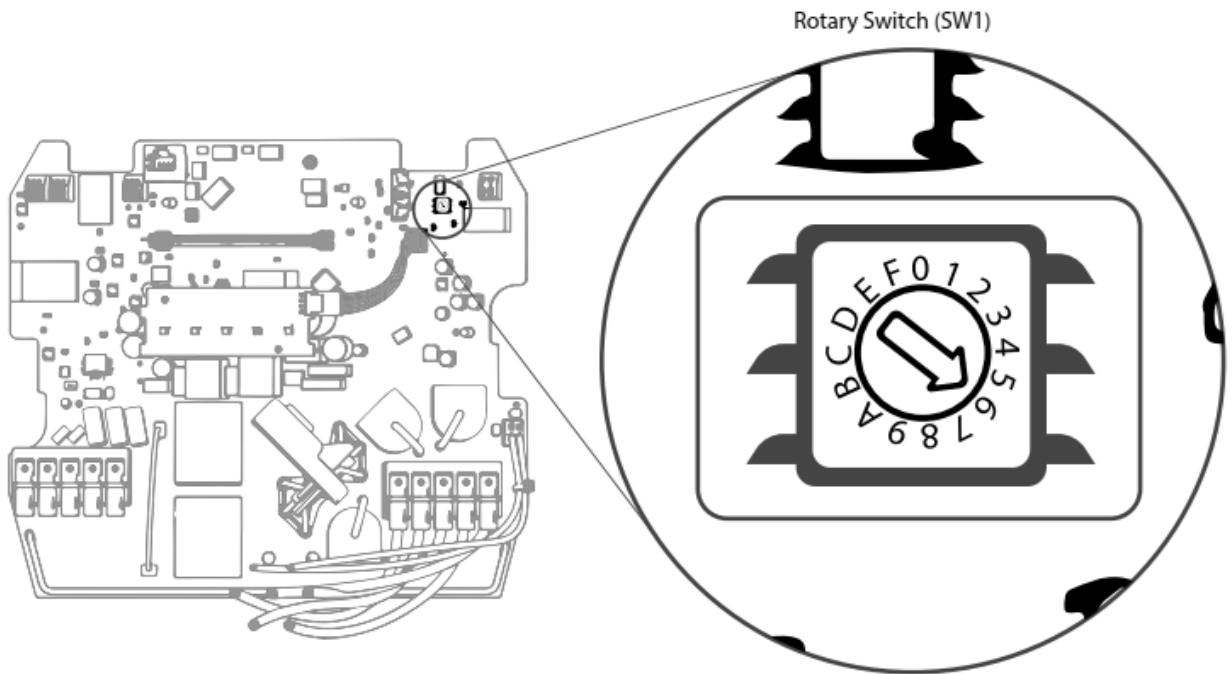
4.6. Impostazione della potenza massima sul commutatore rotante SW1

Sul Rotary Switch SW1 (vedi 3.6), configurare la potenza massima in base al dimensionamento dell'impianto elettrico e al tipo di alimentazione (monofase o trifase). Fare riferimento alla tabella seguente.

AVVISO

Durante questa fase, l'alimentazione del caricatore deve rimanere spenta.

Se la posizione del Rotary Switch viene modificata mentre l'apparecchio è acceso, spegnere e riaccendere l'apparecchio affinché la modifica abbia effetto.

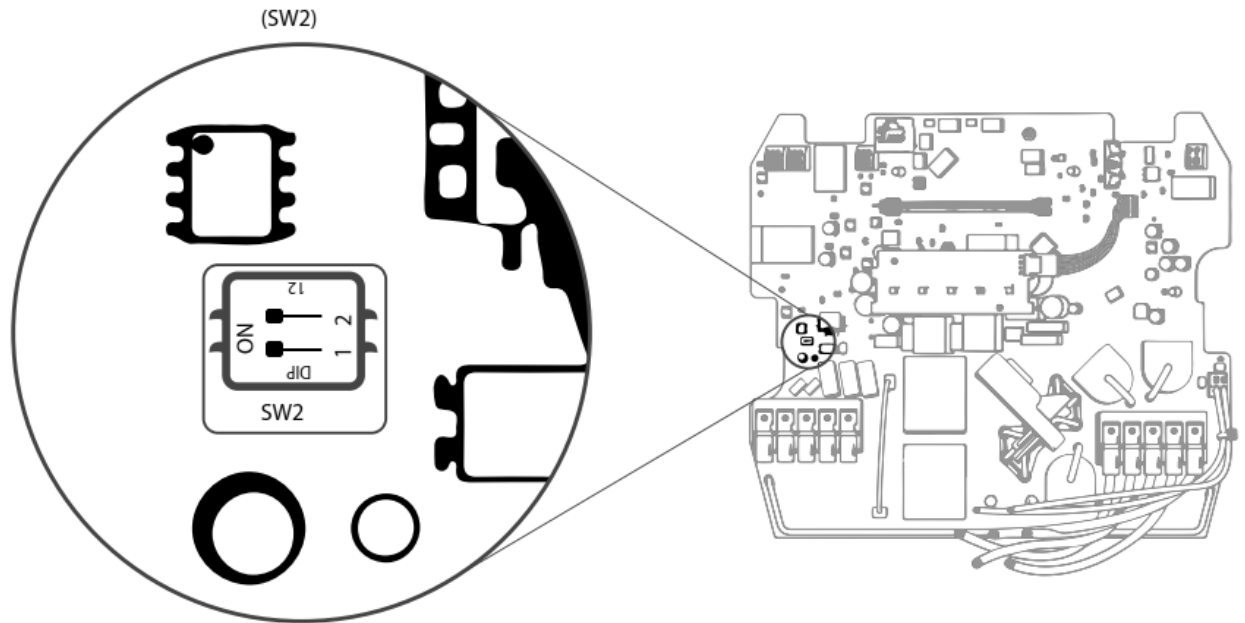


Impostazione del Rotary Switch	0	1	2	3	4	5	6	7	8	9	A	B	C	D	E	F
Monofase [kW]	3.7	4.6	5.1	5.8	6.0	7.4	-	-	-	-	-	-	-	-	-	-
Trifase [kW]	-	-	-	-	-	-	4.3	6.9	9.0	11.0	13.1	15.2	17.3	19.3	20.7	22.0

4.7. Impostazione degli interruttori DIP h SW2

L'interruttore DIP SW2 è presente in alcune versioni del prodotto.

Se presente, è necessario rimuovere la pellicola di plastica dall'interruttore DIP SW2 e spostare entrambi i contatti in posizione ON.



4.8. Installazione di PowerMeter (DPM) e MIDcounter

Questa sezione descrive le modalità di installazione:

- **PowerMeter (DPM):** Contatore di energia che abilita la Gestione dinamica della potenza (DPM), una funzione intelligente che consente di caricare un veicolo elettrico utilizzando solo l'elettricità attualmente disponibile in casa, modulando la potenza di ricarica ed evitando spiacevoli blackout.
- **MIDcounter:** Contatore di energia certificato che monitora la quantità di energia consumata dal caricatore durante ogni sessione di ricarica.

I dispositivi compatibili sono i seguenti.

Dispositivi di misura diretta che possono essere utilizzati come PowerMeter (DPM) o MIDcounter:

- Gavazzi, monofase, diretto, 32 A (EM111DINAV81XS1PFB)
- Finder, monofase, diretto, 40 A (7M2482300210)
- Gavazzi, 1 fase, diretto 100 A (EM112DINAV01XS1PFB)
- Gavazzi, trifase, diretto, 65 A (EM340DINAV23XS1PFB)
- Finder, trifase, diretto, 80 A(7M3884000212)

Dispositivi di misura indiretti che possono essere utilizzati solo come PowerMeter (DPM):

- Gavazzi, monofase, indiretto (EM111DINAV51XS1X) con 1x CT 100 A (CTA5X100A5A)
- Gavazzi, monofase, indiretto (EM111DINMV51XS1X) con 1x CTV 60 A (CTV1X60A333MV)
- Gavazzi, trifase, indiretto (EM330DINAV53HS1X) con 3x CT 150 A (CTA5X150A5A30)



AVVERTENZA

Non tentare di installare dispositivi elettrici a meno che non si sia qualificati come elettricisti professionisti (vedi 2.2). Ciò potrebbe causare gravi pericoli e danni all'utente e alle persone, alle cose o agli animali che si trovano nelle vicinanze.

AVVISO

Per ulteriori informazioni sull'installazione, consultare il manuale di installazione del produttore fornito con il Contatore.

4.8.1. Installazione di PowerMeter (DPM)

Se si utilizza Potenza e durante la sessione di ricarica vengono utilizzati altri elettrodomestici, il sistema può modulare la potenza di ricarica dell'auto e sospendere temporaneamente la sessione di ricarica. Non appena gli altri elettrodomestici vengono spenti, la sessione viene ripresa.

La logica intelligente DPM funziona sia in installazioni trifase che monofase.



AVVERTENZA

In caso di installazione in sistemi trifase, assicurarsi che i carichi elettrici (compreso il caricatore) siano ben bilanciati tra le fasi dell'impianto elettrico.



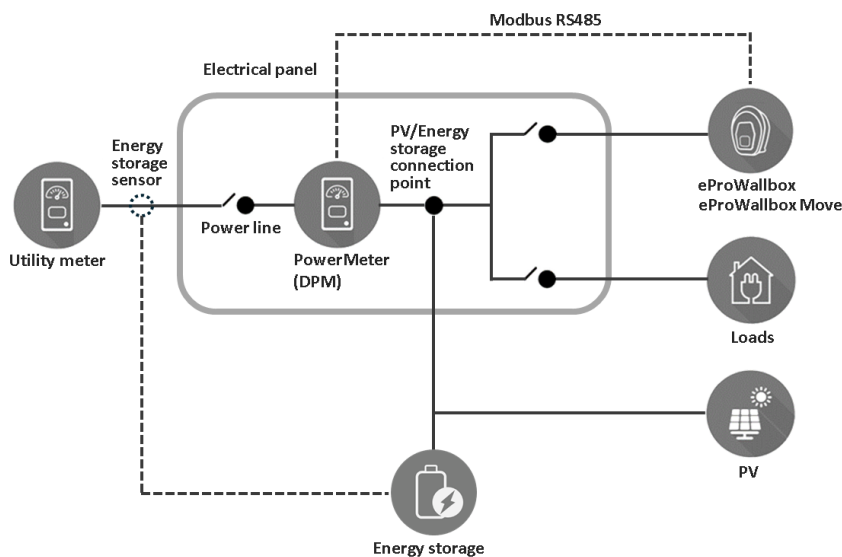
ATTENZIONE

Durante questa fase, l'alimentazione del caricatore deve rimanere spenta.

Installazione del PowerMeter a misurazione diretta (DPM)

Collocare il PowerMeter (DPM) dopo il contatore domestico.

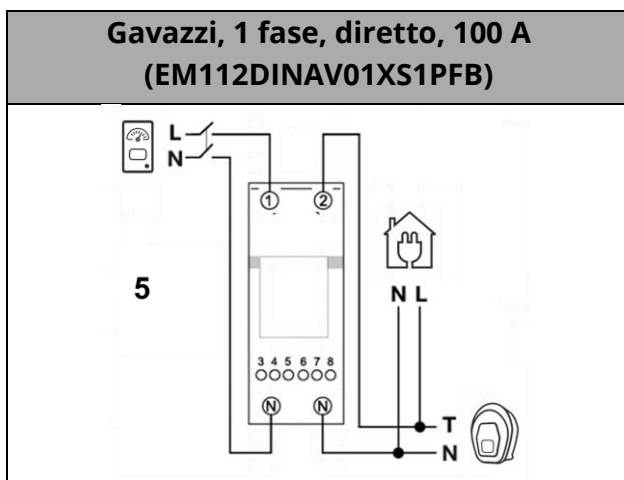
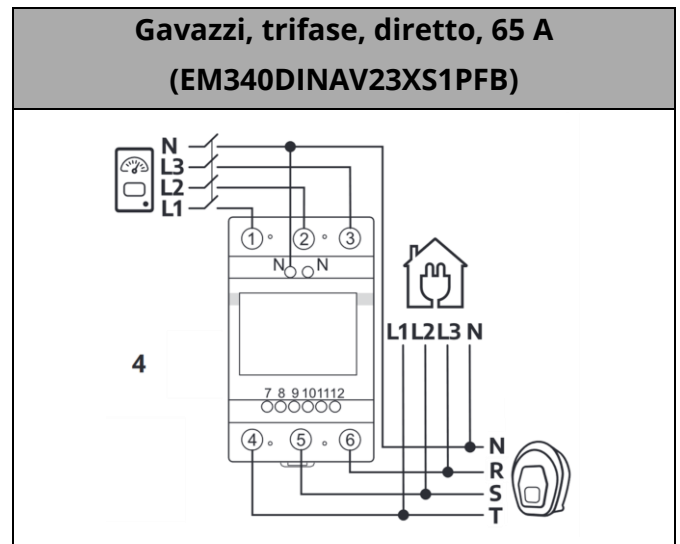
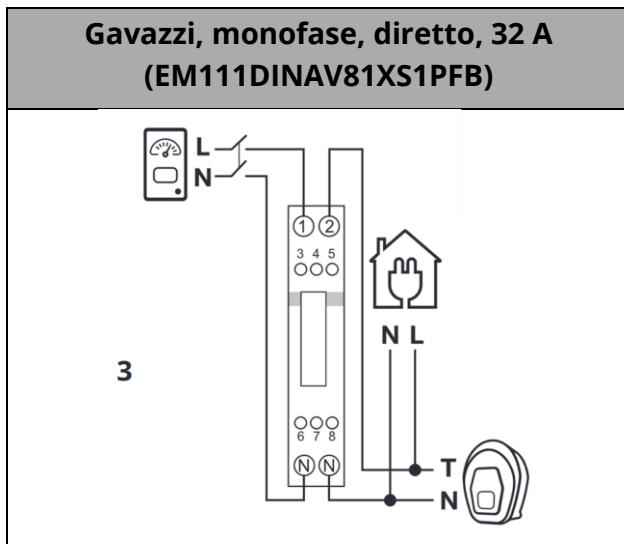
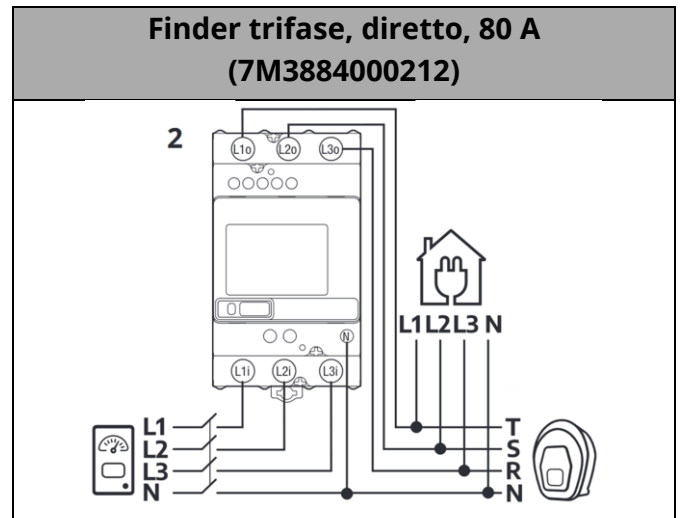
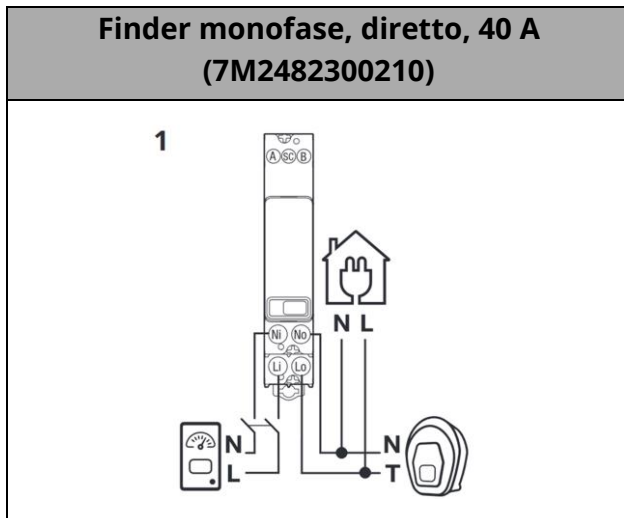
Il PowerMeter (DPM) deve misurare tutti i carichi elettrici, compreso il Caricatore.



AVVISO

- 1) Se è presente il fotovoltaico, il PowerMeter deve essere collocato tra il contatore domestico e il punto di connessione del fotovoltaico.
- 2) Se è presente un accumulatore di energia domestico, il PowerMeter deve essere collocato tra il punto di connessione dell'accumulatore di energia e il sensore di misurazione dell'accumulatore di energia.

Vedere gli schemi seguenti per il collegamento elettrico monofase e trifase del PowerMeter diretto (Finder e Gavazzi).

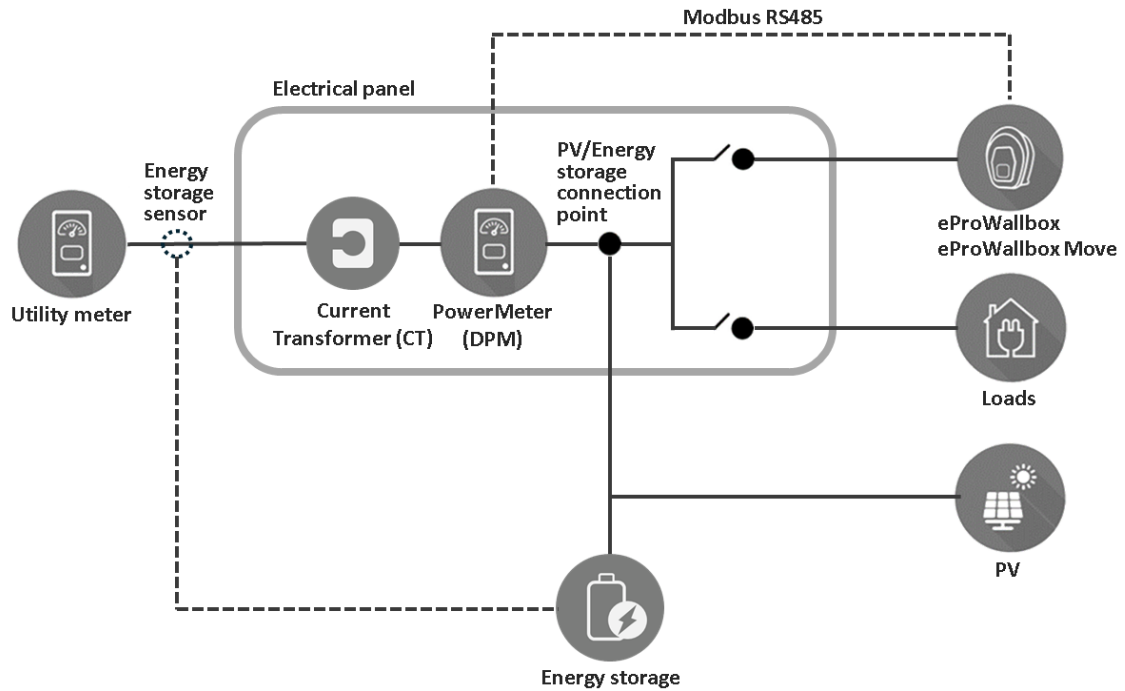


➔ Il collegamento di comunicazione RS485 è descritto in 4.9.

Installazione del PowerMeter a misurazione indiretta (DPM)

Posizionare il TA (trasformatore di corrente) del PowerMeter dopo il contatore domestico e prima dei carichi elettrici, compreso il caricatore.

Quando si installano i trasformatori di corrente (TA), puntare la freccia sul TA in direzione dei carichi.



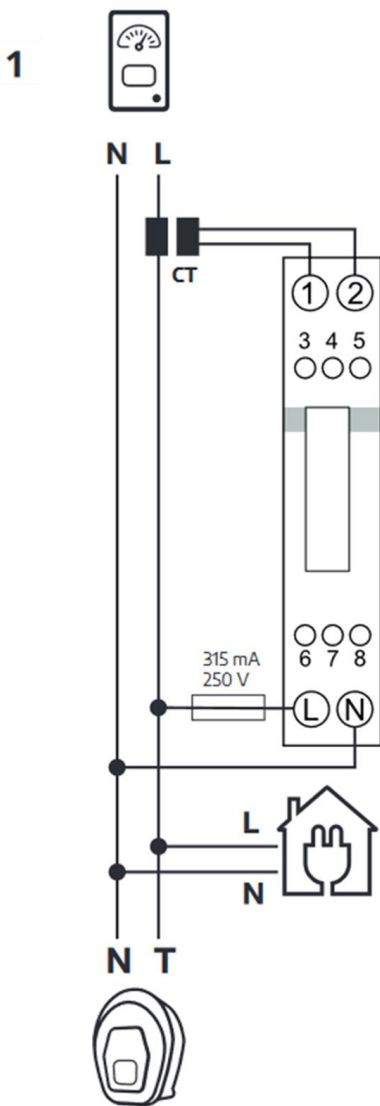
AVVISO

- 1) Se è presente il fotovoltaico, i trasformatori di corrente (CT) di PowerMeter devono essere collocati tra il punto di connessione del fotovoltaico e il contatore domestico.
- 2) Se è presente un accumulo di energia in casa, i trasformatori di corrente (CT) di PowerMeter devono essere collocati tra il punto di connessione dell'accumulo di energia e il sensore di misura dell'accumulo di energia.

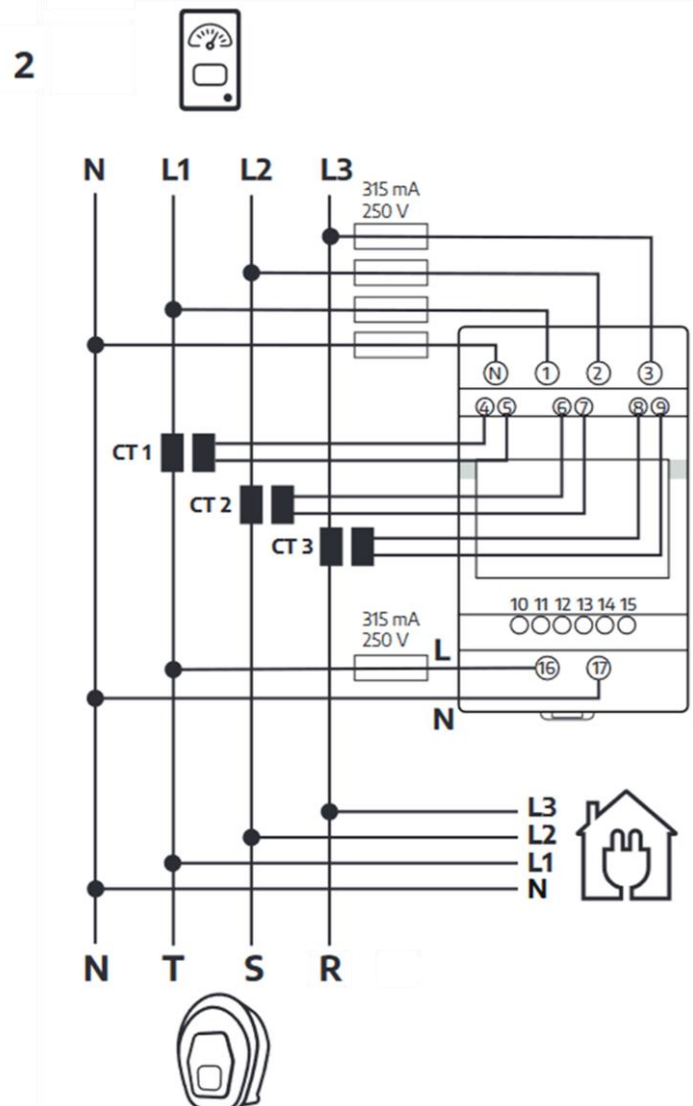
Per il collegamento elettrico dei Contatori di energia Gavazzi, si vedano gli schemi sottostanti, sia monofase che trifase.

**Gavazzi, monofase, indiretto
(EM111DINAV51XS1X) con 1x CT
100 A (CTA5X100A5A)**

**Gavazzi, monofase, indiretto
(EM111DINMV51XS1X) con 1x
CTV 60 A (CTV1X60A333MV)**



**Gavazzi, trifase, indiretto (EM330DINAV53HS1X)
con 3x CT 150 A (CTA5X150A5A30)**



➔ Il collegamento di comunicazione RS485 è descritto in 4.9.

4.8.2. Installazione di MIDcounter

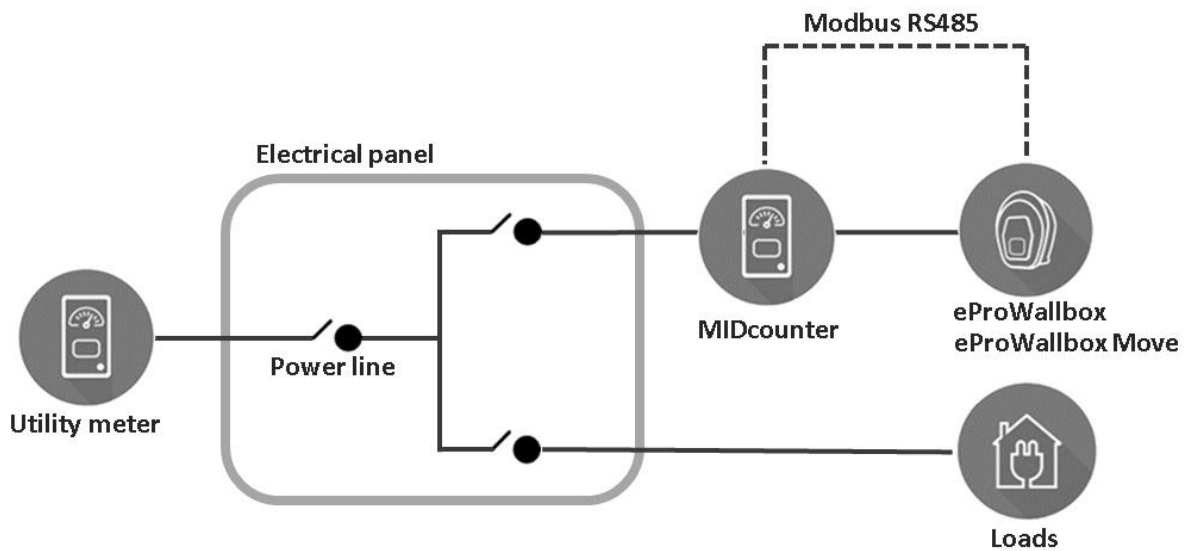
Il MIDcounter è un contatore di energia certificato che consente di monitorare in modo sicuro e affidabile il consumo del caricatore durante ogni sessione di ricarica.

Tutti i dati rilevanti delle sessioni di ricarica vengono registrati automaticamente da un contatore MID certificato e trasferiti dal caricatore al Charge Point Management System (CPMS).

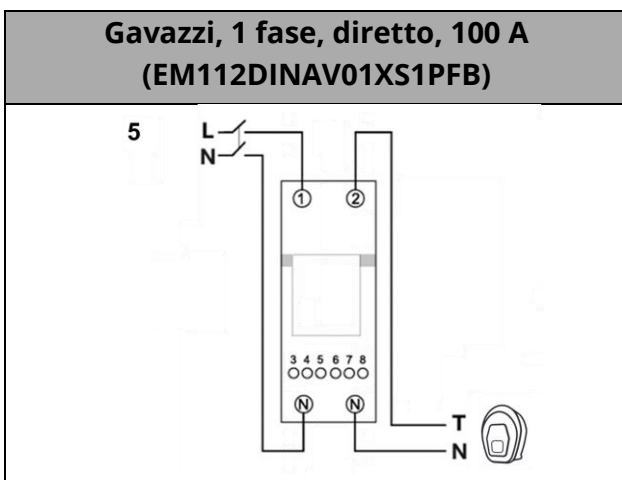
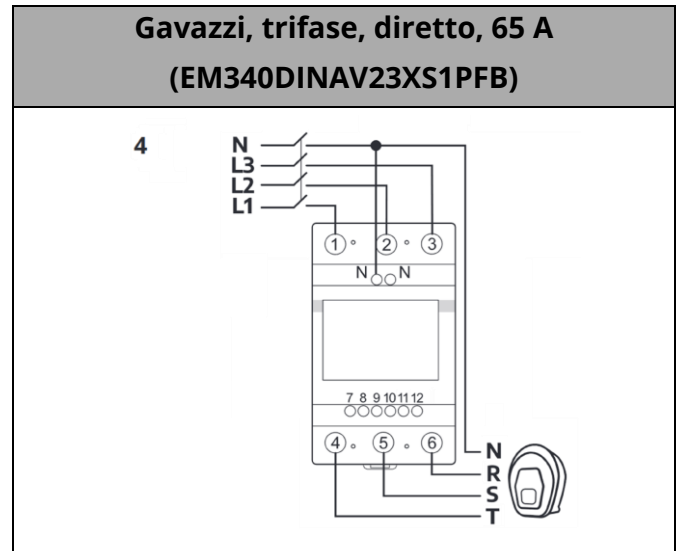
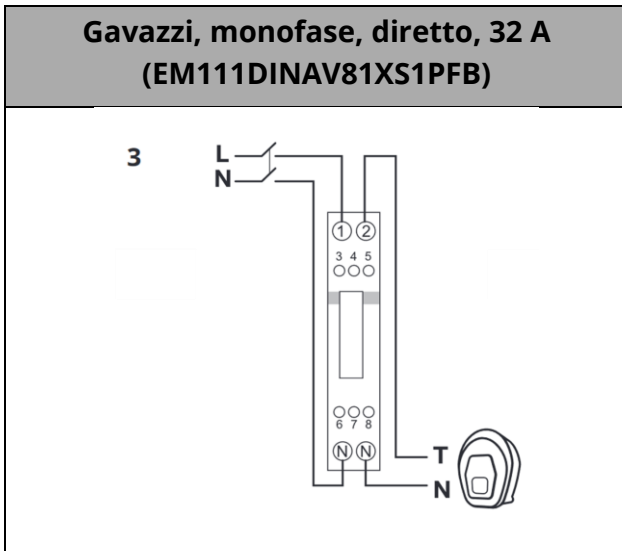
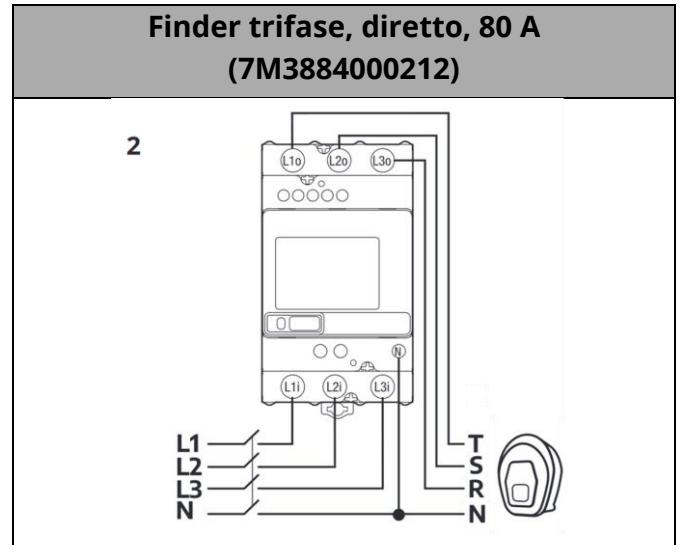
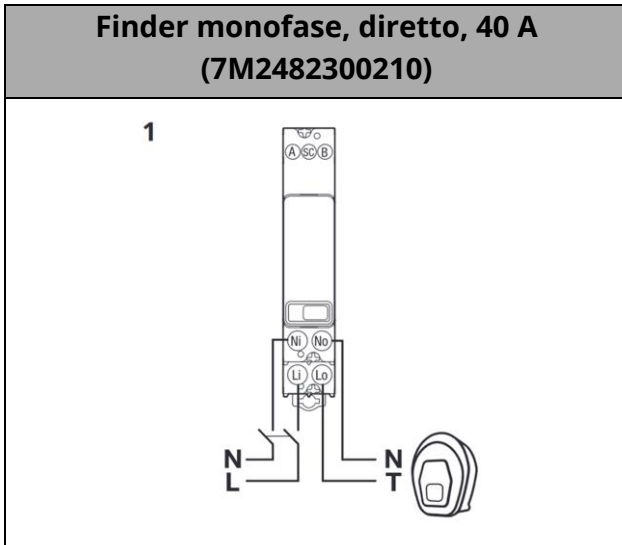


ATTENZIONE
Durante questa fase, l'alimentazione del caricatore deve rimanere spenta.

Posizionare il MIDcounter sulla stessa linea di alimentazione del caricatore, dopo i dispositivi di protezione elettrica.



Vedere gli schemi seguenti per il collegamento elettrico monofase e trifase del contatore MID (Finder e Gavazzi).

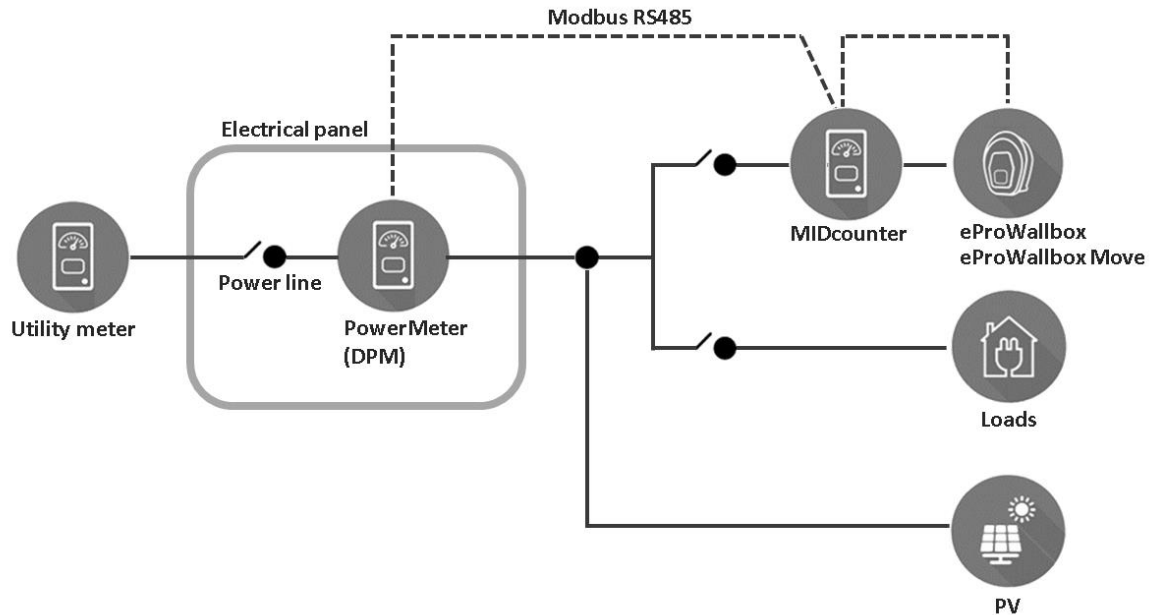


➔ Il collegamento di comunicazione RS485 è descritto in 4.9.

4.8.3. Installazione combinata di PowerMeter (DPM) e MIDcounter

Collocare il PowerMeter (DPM) dopo il contatore domestico.

Posizionare il MIDcounter sulla stessa linea di alimentazione del caricatore, dopo i dispositivi di protezione elettrica.



AVVISO 1

1) Se è presente un impianto fotovoltaico, il PowerMeter deve essere collocato tra il contatore domestico e il punto di connessione al fotovoltaico.

2) Se è presente un accumulatore di energia domestico, il PowerMeter deve essere collocato tra il punto di connessione dell'accumulatore di energia e il sensore di misurazione dell'accumulatore di energia.

- ➔ Per i collegamenti elettrici del PowerMeter (DPM) e del MIDcounter, vedere 4.8.1 e 4.8.2.
- ➔ Il collegamento di comunicazione RS485 è descritto in 4.9.

4.9. Collegamenti di comunicazione Modbus RS485

Come mostrato in 3.6il caricatore è dotato di 2 porte RS485 (CN9 /CN10) per la comunicazione con:

- Caricatori aggiuntivi nella rete M/S.
-O...
- Un sistema di gestione dell'energia (EMS) o un altro dispositivo Modbus.

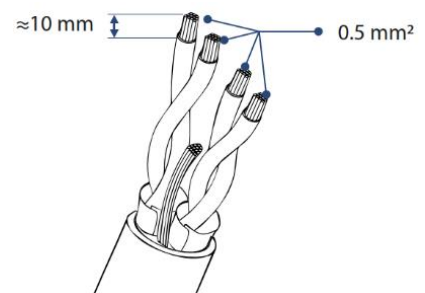
E 1 porta RS485 aggiuntiva (CN12) per comunicare con un accessorio del Contatore:

- PowerMeter (DPM) per la gestione dinamica della potenza.
-E/O
- Contatore di energia certificato MIDcounter.

In questa sezione vengono illustrati i requisiti della linea RS485 e la procedura generale di collegamento, mentre il cablaggio dettagliato viene descritto caso per caso nelle sezioni successive.

Requisiti del cavo RS485

- Modbus RS485 twistato STP 2x2 AWG24 o S/FTP cat.7 adatto per l'installazione con una linea di alimentazione a 400V
- Dimensione del conduttore: 0,5 mm²
- Lunghezza di spelatura: 10 mm
- Lunghezza massima consigliata: 150 m



Procedura di connessione

- 1) Sul Caricatore, rimuovere il cappuccio di protezione dal punto di ingresso dei cavi di comunicazione e inserire la guaina corrugata \varnothing 25 mm.
- 2) Serrare il raccordo scatola-guaina del cavo.
- 3) Inserire il cavo di comunicazione tirandolo in modo che raggiunga la porta di comunicazione, lasciando un po' di lasco.

NOTA: I cavi di comunicazione devono essere correttamente distanziati dalle schede elettroniche e posati lateralmente tra la scheda e la base in plastica.

- 4) Collegare il cavo di comunicazione alla porta appropriata, come mostrato nelle sezioni successive.
- 5) Ripetere la procedura per ogni cavo di comunicazione che si desidera installare.
- 6) Su ogni estremità della linea RS485 deve essere installata una resistenza di terminazione da 120 Ω .

Il resistore è presente nel caricatore per impostazione predefinita.



AVVERTENZA

I fori non utilizzati devono essere chiusi con i tappi di protezione in dotazione per garantire il grado di protezione IP.

4.9.1. Collegamento di PowerMeter (DPM)

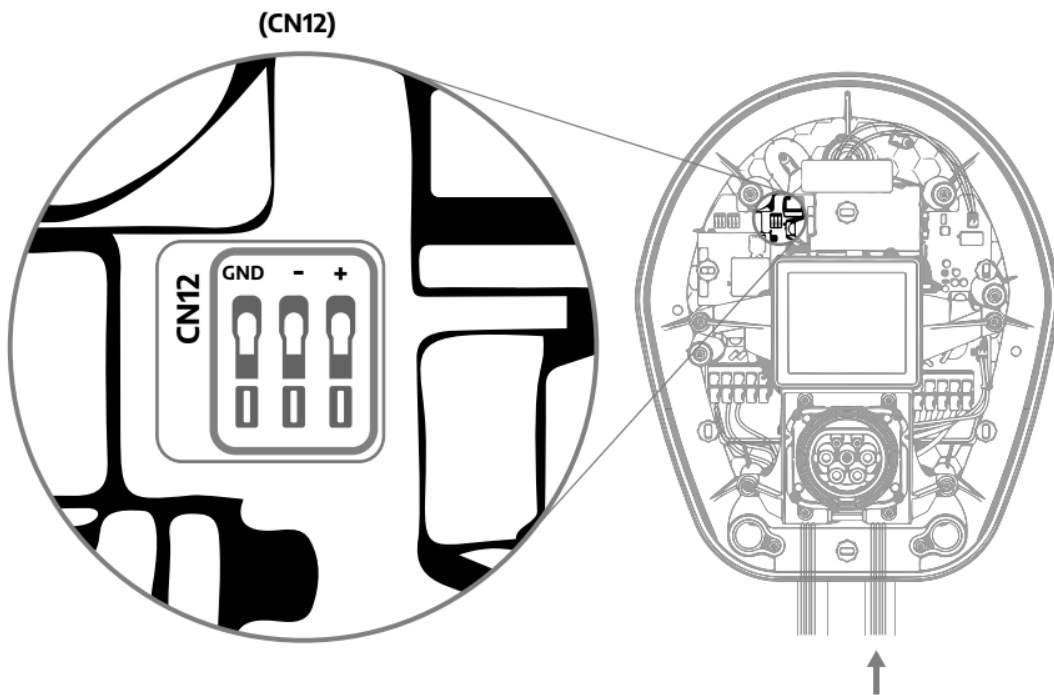
Collegare il PowerMeter (DPM) tramite RS485 dopo l'installazione elettrica descritta in 4.8.1.

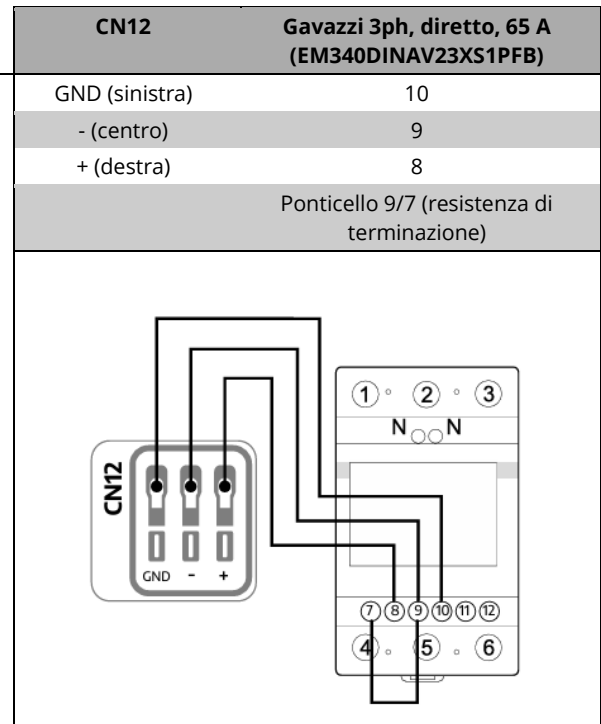
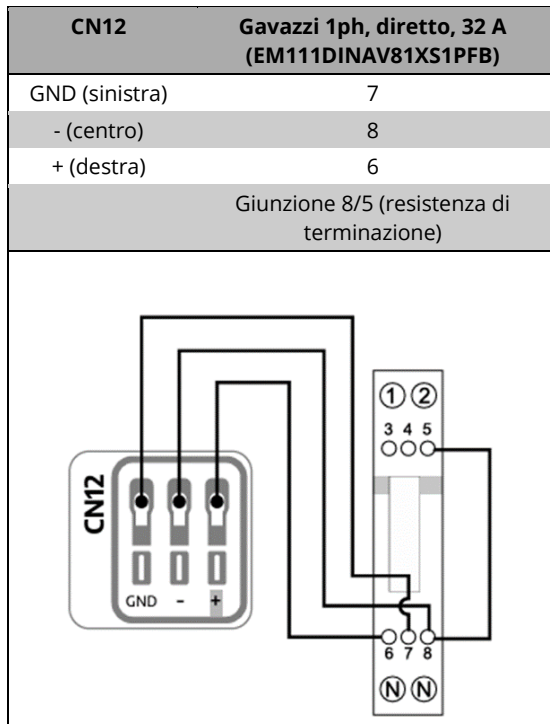
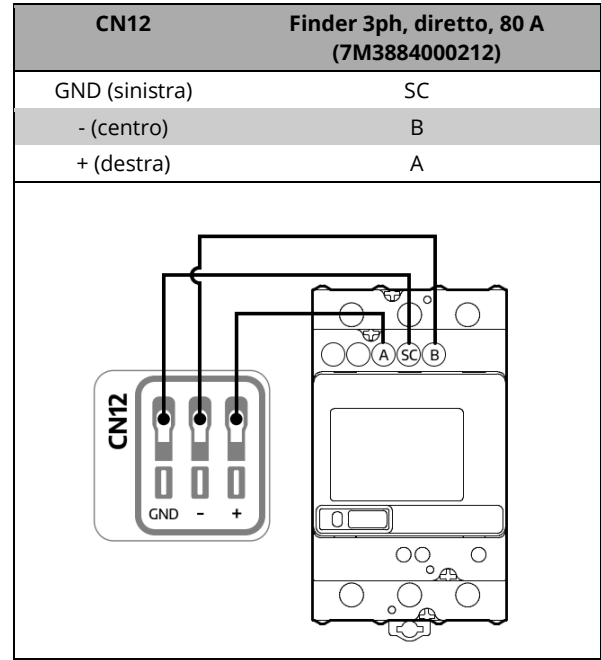
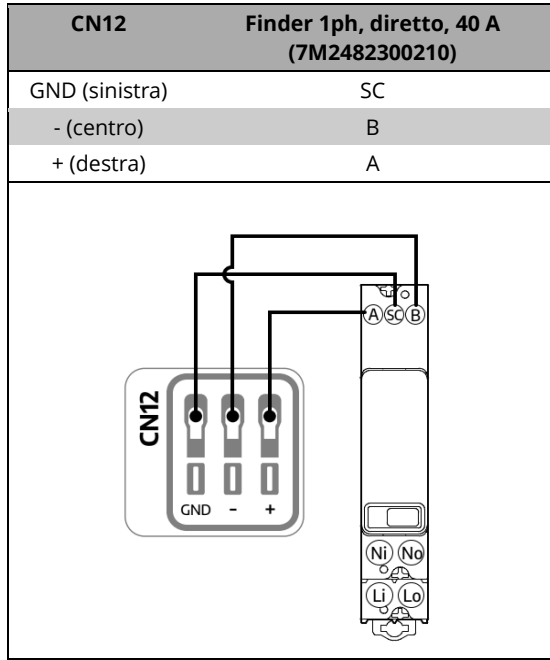
Come mostrato nelle figure seguenti, utilizzare il connettore CN12 con la seguente assegnazione dei pin:

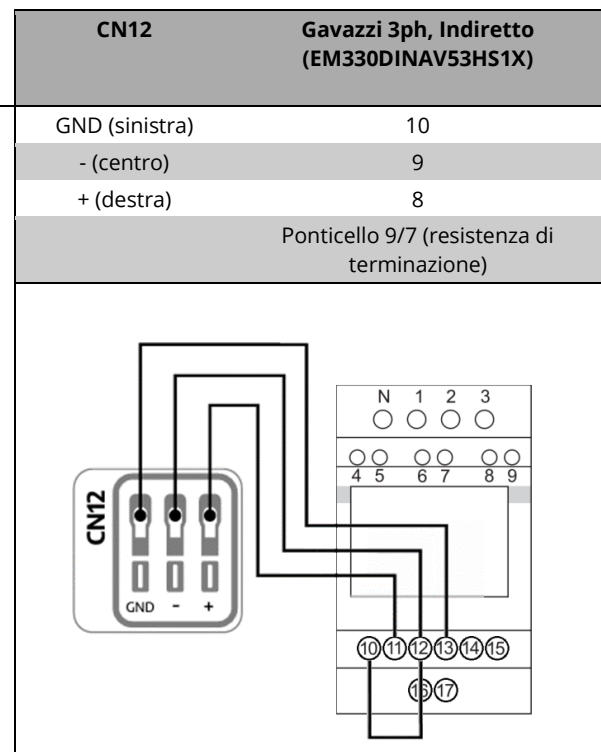
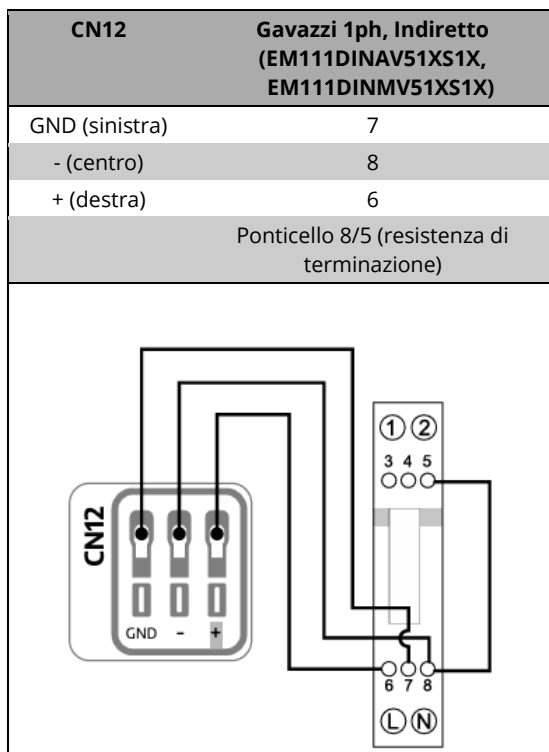
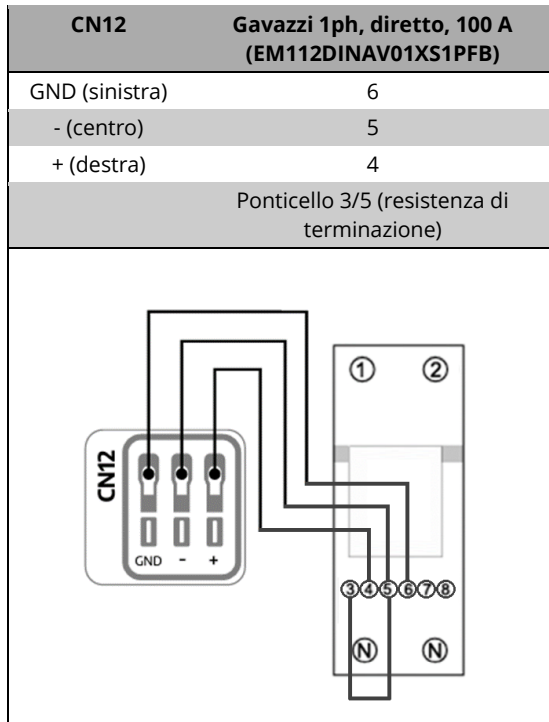
- **Sinistra = GND**
- **Centro = -**
- **Destra = +**

A seconda del modello di PowerMeter (DPM), fare riferimento a una delle seguenti tabelle per la disposizione dei collegamenti.

→ Se l'installazione include sia PowerMeter (DPM) sia MIDcounter, vedere 4.9.3.







➔ Dopo l'accensione (4.11), il PowerMeter (DPM) deve essere configurato come descritto in 5.2.

4.9.2. Collegamento del contatore MID

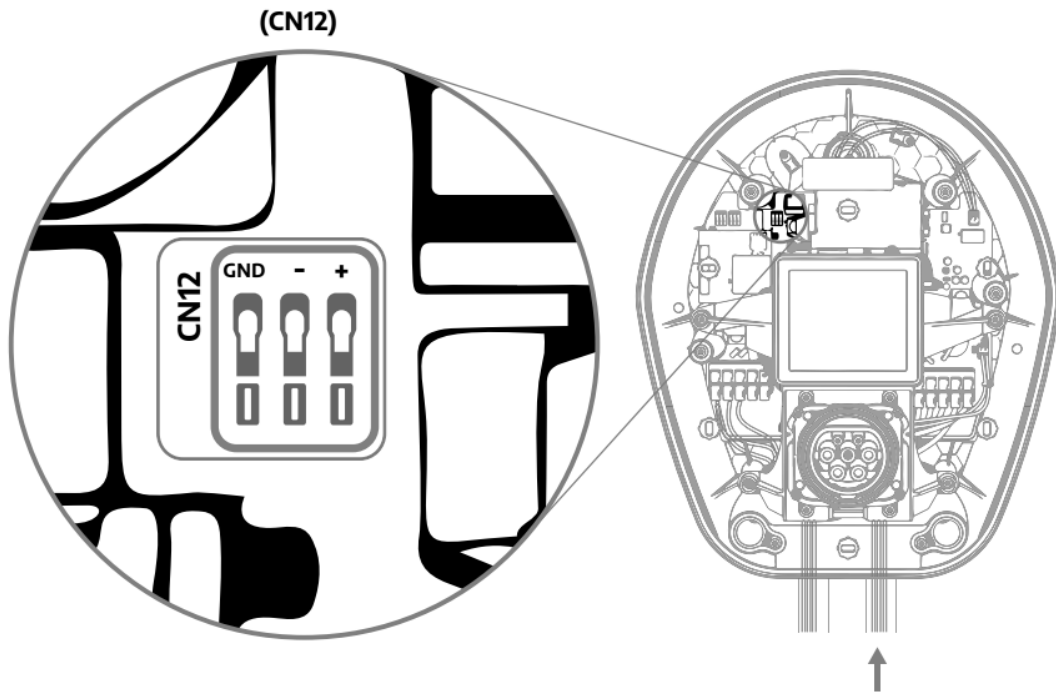
Collegare il MIDcounter tramite RS485 dopo l'installazione elettrica descritta in 4.8.2.

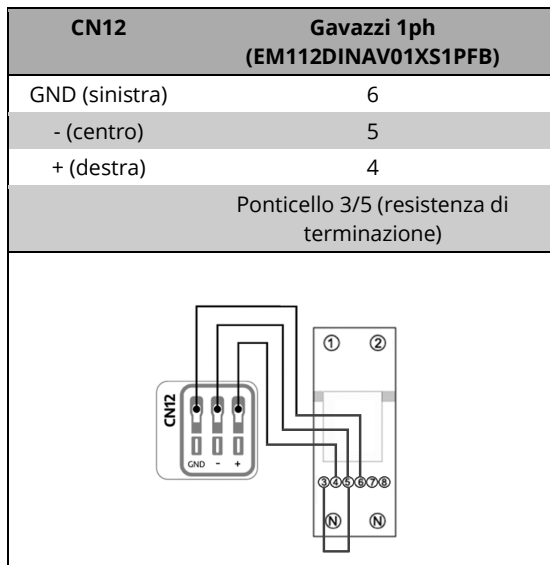
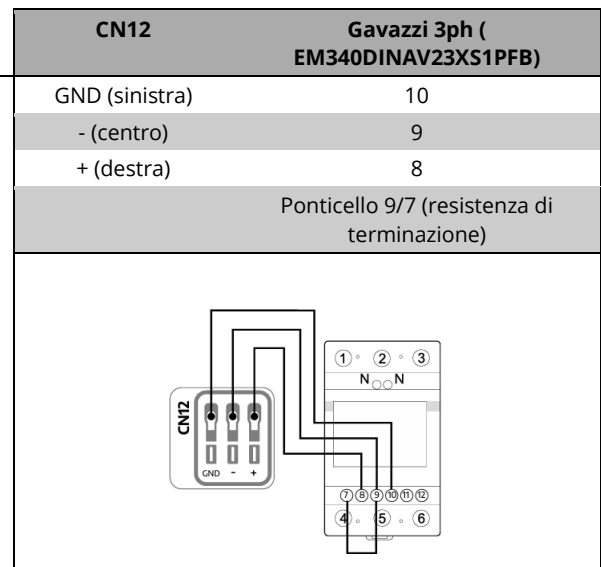
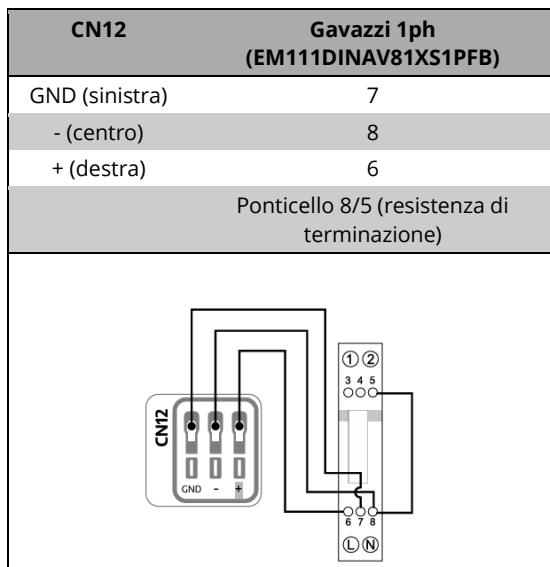
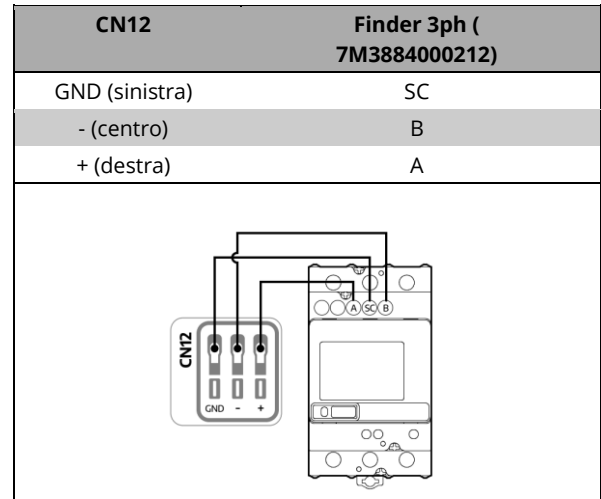
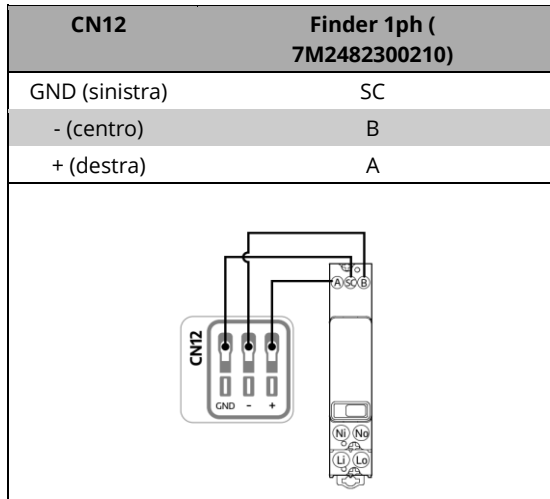
Come mostrato nella figura, utilizzare il connettore CN12 con la seguente assegnazione dei pin:

- **Sinistra = GND**
- **Centro = -**
- **Destra = +**

A seconda del modello del MIDcounter, fare riferimento a una delle seguenti tabelle per il layout dei collegamenti.

→ Se l'installazione comprende sia PowerMeter (DPM) che MIDcounter, vedere 4.9.3.





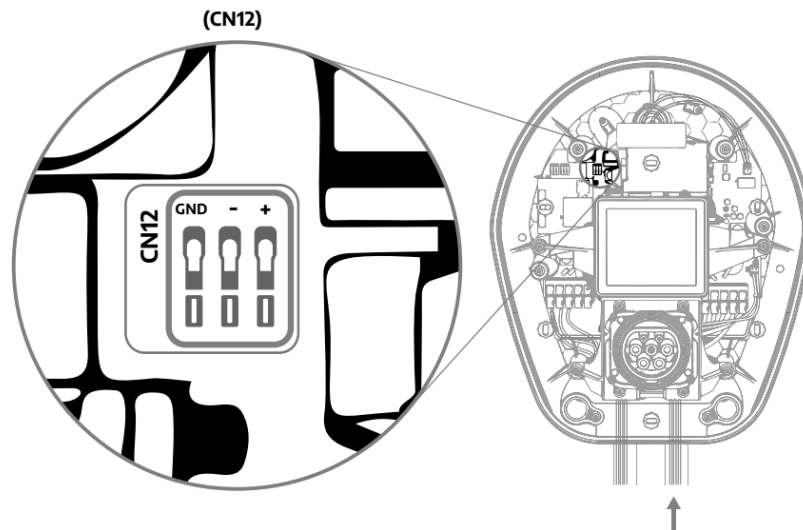
➔ Dopo l'accensione (4.11), il MIDcounter deve essere configurato come descritto in 5.2.

4.9.3. Collegamento del PowerMeter (DPM) e del contatore MID

Collegare il PowerMeter (DPM) e il MIDcounter tramite RS485 dopo l'installazione elettrica descritta in 4.8.3.

Come mostrato nella figura, utilizzare il connettore CN12 con la seguente assegnazione dei pin:

- **Sinistra = GND**
- **Centro = -**
- **Destra = +**



- A seconda dei modelli di PowerMeter (DPM) e MIDcounter, fare riferimento a una delle seguenti tabelle per il layout dei collegamenti.

PowerMeter (DPM)	Contatore MID	Caricatore	PowerMeter (DPM)	Contatore MID	Caricatore
DPM, Gavazzi, 1ph, Indiretto 100 A / 60A (EM111DINAV51XS1X, EM111DINMV51XS1X)	MID, Gavazzi, 1ph, diretto, 32 A (EM111DINAV81XS1PFB)	CN12	DPM, Gavazzi, 3ph, Indiretto, 150 A (EM330DINAV53HS1X)	MID, Gavazzi, 3ph, diretto, 65 A (EM340DINAV23XS1PFB)	CN12
GND (7)	GND (7)	GND	GND (13)	GND (10)	GND
A-(8) / T*(5)	A- (8)	-	A-(12) / T*(10)	A-(9)	-
B+(6)	B+ (6)	+	B+ (11)	B+ (8)	+
DPM, Gavazzi, 1ph, indiretto 100 A / 60 A (EM111DINAV51XS1X, EM111DINMV51XS1X)	MID, Finder, 1ph, diretto, 40 A (7M2482300210)	CN12	DPM, Gavazzi, 3ph, Indiretto, 150 A (EM330DINAV53HS1X)	MID, Finder, 3ph, diretto, 80 A (7M3884000212)	CN12
GND (7)	SC	GND	GND (13)	SC	GND
A-(8) / T*(5)	B-	-	A-(12) / T*(10)	B-	-
B+(6)	A+	+	B+ (11)	A+	+
DPM, Gavazzi, 1ph, diretto, 32 A (EM111DINAV81XS1PFB)	MID, Gavazzi, 1ph diretto, 32 A (EM111DINAV81XS1PFB)	CN12	DPM, Gavazzi, 3ph diretto, 65 A (EM340DINAV23XS1PFB)	MID, Gavazzi, 3ph diretto, 65 A (EM340DINAV23XS1PFB)	CN12
GND (7)	GND (7)	GND	GND (10)	GND (10)	GND
A-(8) / T*(5)	A- (8)	-	A-(9) / T*(7)	A-(9)	-
B+(6)	B+ (6)	+	B+ (8)	B+(8)	+
DPM, Gavazzi, 1ph, diretto, 32 A (EM111DINAV81XS1PFB)	MID, Finder, 1ph diretto, 40 A (7M2482300210)	CN12	DPM, Gavazzi, 3ph diretto, 65 A (EM340DINAV23XS1PFB)	MID, Finder, 3ph diretto, 80 A (7M3884000212)	CN12
GND (7)	SC	GND	GND (10)	SC	GND
A- (8) / T*(5)	B-	-	A-(9) / T*(7)	B-	-
B+(6)	A+	+	B+(8)	A+	+
DPM, Gavazzi, 1ph, diretto, 100 A (EM112DINAV01XS1PFB)	MID, Gavazzi, 1ph, diretto, 100 A (EM112DINAV01XS1PFB)	CN12	DPM, Gavazzi, 1ph, diretto, 100 A (EM112DINAV01XS1PFB)	MID, Finder, 1ph diretto, 40 A (7M2482300210)	CN12
GND (6)	GND (6)	GND	GND (6)	SC	GND
A- (5) / T*(3)	A- (5)	-	A- (5) / T*(3)	B-	-
B+(4)	B+(4)	+	B+(4)	A+	+
DPM, Finder, 1ph, diretto, 40 A (7M2482300210)	MID, Gavazzi, 1ph diretto, 32 A (EM111DINAV81XS1PFB)	CN12	DPM, Finder, 3ph diretto, 80 A (7M3884000212)	MID, Gavazzi, 3ph diretto, 65 A (EM340DINAV23XS1PFB)	CN12
SC	GND (7)	GND	SC	GND (10)	GND
B-	A-(8)	-	B-	A-(9)	-
A+	B+(6)	+	A+	B+(8)	+
DPM, Finder, 1ph, diretto, 40 A (7M2482300210)	MID, Finder, 1ph diretto, 40 A (7M2482300210)	CN12	DPM, Finder, 3ph diretto, 80 A (7M3884000212)	MID, Finder, 3ph diretto, 80 A (7M3884000212)	CN12
SC	SC	GND	SC	SC	GND
B-	B-	-	B-	B-	-
A+	A+	+	A+	A+	+

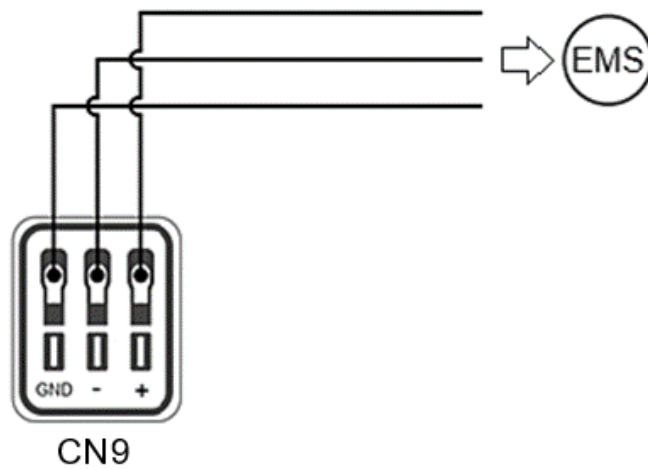
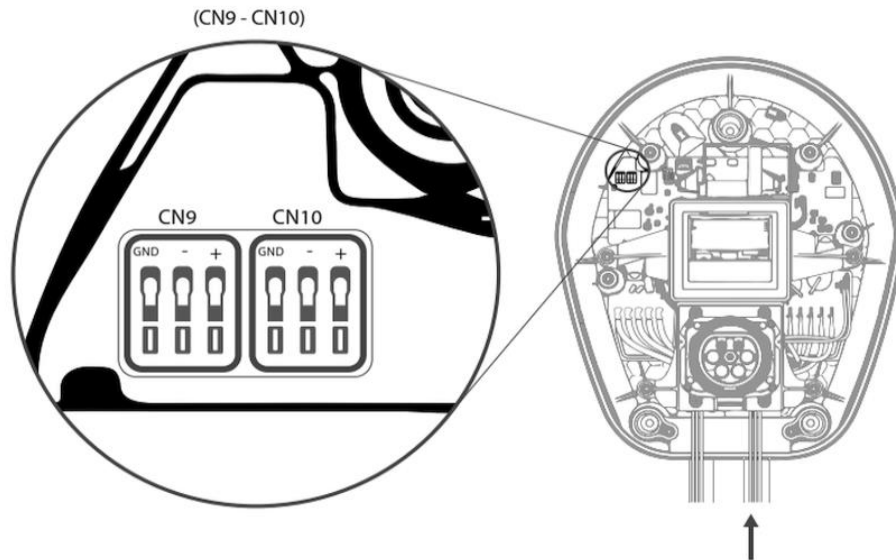
(*) I modelli Gavazzi dispongono di una resistenza di terminazione incorporata, che può essere attivata ponticellando questi terminali.

➔ Dopo l'accensione (4.11), il PowerMeter (DPM) e il MIDcounter devono essere configurati come descritto in 5.2.

➔ Collegamento dell'EMS su Modbus RS485

Come mostrato nella figura seguente, utilizzare il connettore CN9 con la seguente assegnazione dei pin:

- **Sinistra = GND**
- **Centro = -**
- **Destra = +**



➔ La configurazione dell'EMS nell'App di installazione è descritta in 5.11.3.

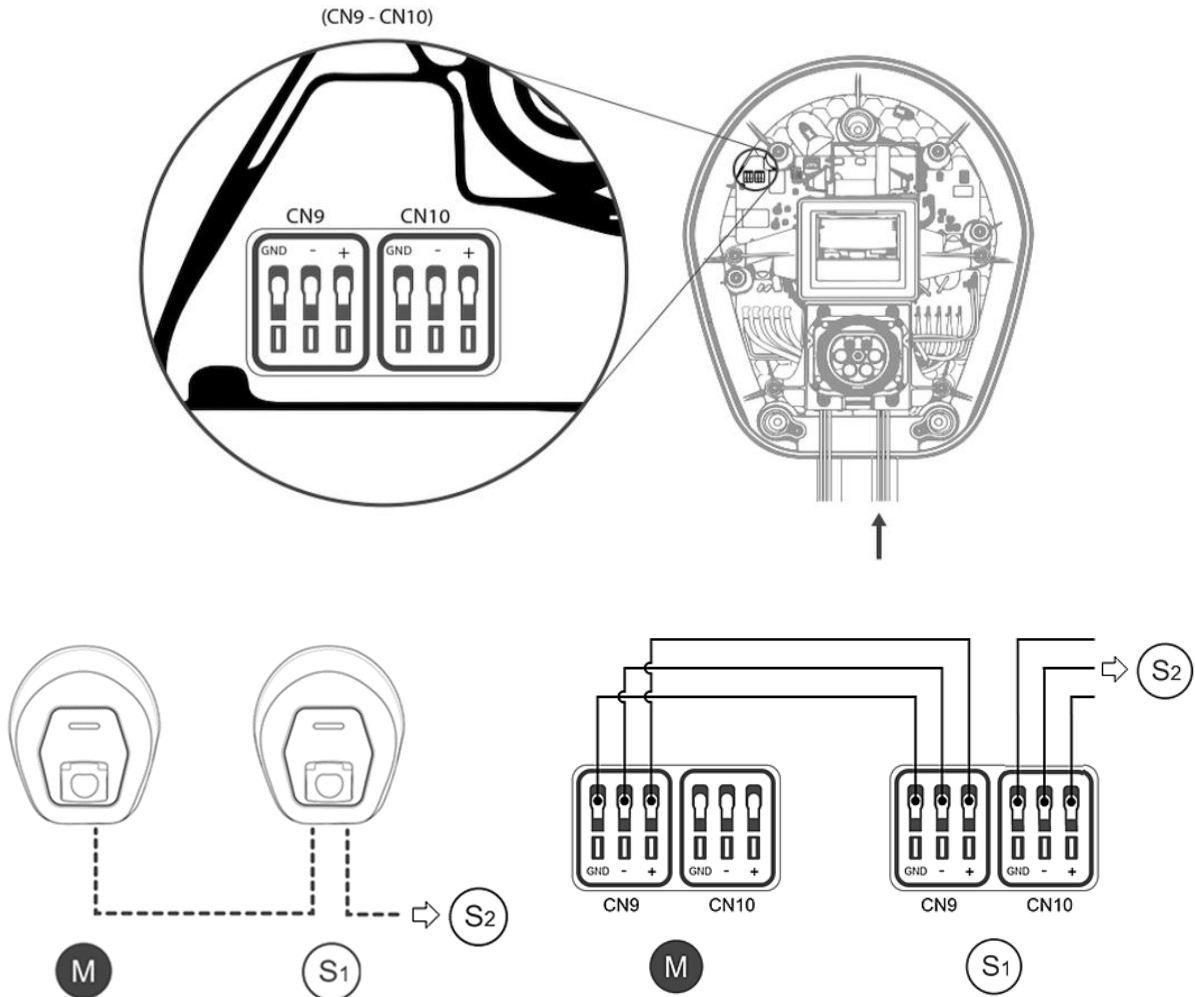
➔ Le funzioni EMS si basano su Modbus, come descritto nella documentazione delle Mappe Modbus. Vedi 1.4.

4.9.4. Collegamento dei caricatori nella rete M/S Chargers

Il Caricatore principale può essere collegato ai Caricatori satellite tramite Modbus RS485 in configurazione daisy-chain (vedi 5.11.2).

Come mostrato nelle figure seguenti, utilizzare i connettori CN9 e CN10 con la seguente assegnazione dei pin:

- **Sinistra = GND**
- **Centro = -**
- **Destra = +**



➔ Dopo l'accensione (4.11), la rete di Caricatori M/S deve essere configurata nell'App di installazione come descritto in 5.11.2.

4.10. Connessione Ethernet

Come mostrato in 3.6 il caricatore è dotato di una porta Ethernet per:

- Connessione OCPP via Internet.
-E...
- Connessione Modbus TCP/IP a un sistema di gestione dell'energia (EMS) o a un dispositivo esterno.
- Servizio clienti.

Requisiti del cavo Ethernet

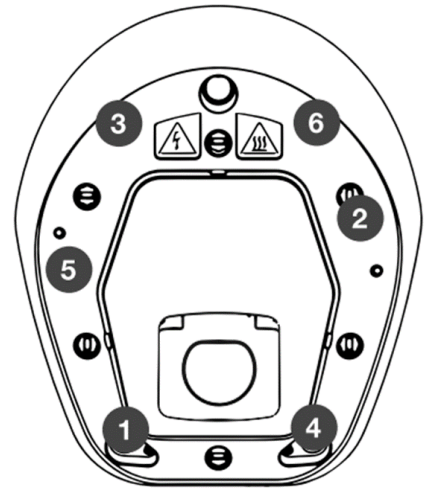
- Tipo di cavo: Ethernet S/FTP cat.7
 - Lunghezza massima fino al router/switch: 110 m
 - Connettore: Plug-in RJ45
- ➔ Per impostazione predefinita, la connessione Ethernet è attiva con le impostazioni DHCP. Può essere disattivata o riconfigurata come descritto in 5.5.

4.11. Controllo, chiusura e accensione del sistema

Prima di chiudere, verificare che i cavi di alimentazione siano collegati correttamente, assicurandosi che le rispettive posizioni delle fasi e del neutro nella morsettiera CN1 rispettino le marcature.

Procedura di chiusura

- 1) Riposizionare la Cover
- 2) Serrare con i bulloni precedentemente rimossi nella sequenza 1-6 indicata in figura. Utilizzare una coppia di serraggio di 2,5 Nm.
- 3) Rimettere la Cornice esterna, spingendo la linguetta di gomma nella fessura ed esercitando una leggera pressione.
- 4) Accendere la Potenza inserendo l'interruttore a monte.
- 5) Attendere l'accensione della barra LED o del display.



AVVISO

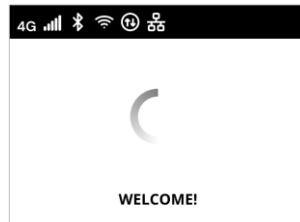
Il caricatore potrebbe non accendersi immediatamente dopo l'accensione.

L'operazione può richiedere fino a 30 secondi.

4.11.1. Schermi di visualizzazione di eProWallbox

Questa sezione elenca le schermate di **eProWallbox**. Il modello **eProWallbox Move** è dotato di una barra LED come descritto in 4.11.2.

Schermate della sessione di ricarica



Messaggio di benvenuto, che può contenere il logo del marchio. Dopo l'accensione della Potenza, la visualizzazione del messaggio può richiedere fino a 30 secondi.

Le icone nell'intestazione indicano le comunicazioni attive. Alcune icone possono essere visualizzate o meno a seconda del modello e della configurazione.

4G 4G LTE, con barre di segnale



Bluetooth



Wi-Fi, con barre di segnale

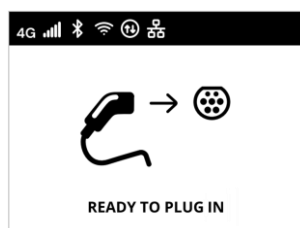


Connessione attiva con il CPMS.

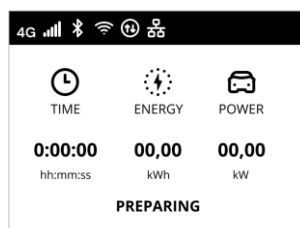
L'icona alternativa indica una condizione di fallimento della comunicazione.



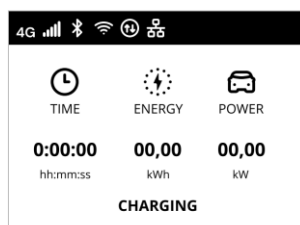
Cavo Ethernet collegato



La schermata PRONTO ALL'INSERIMENTO è la schermata predefinita in modalità Autostart e viene visualizzata dopo l'autorizzazione. Richiede di inserire il cavo di ricarica per avviare la sessione di ricarica.

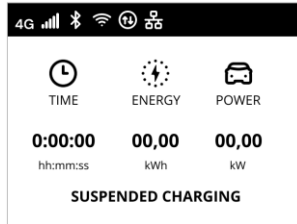


Per alcuni secondi, la schermata PREPARING indica che la sessione di carica è in fase di preparazione. Se questa schermata persiste, significa che il DPM o altre funzioni di bilanciamento del carico stanno impedendo l'avvio della carica. La carica inizierà non appena le condizioni lo permetteranno.

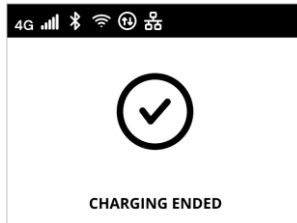


La schermata CHARGING visualizza i parametri della sessione in corso:

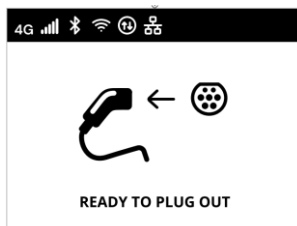
- TEMPO: Durata della sessione
- ENERGIA: Energia assorbita dal veicolo
- POTENZA: Potenza di carica attuale



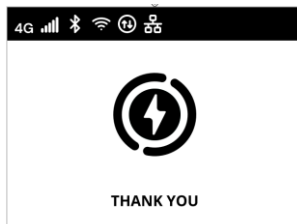
La schermata CARICA SOSPESA indica che la sessione di carica è stata sospesa dal DPM o dal veicolo. La sessione di ricarica riprenderà automaticamente quando le condizioni lo permetteranno.



La schermata CHARGING END indica per 3 secondi la fine della sessione di carica.

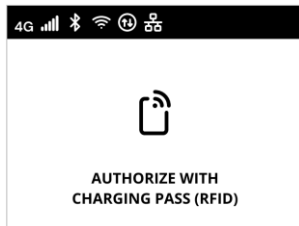


La schermata READY TO PLUG OUT appare per 3 secondi per indicare che il cavo di ricarica deve essere rimosso.

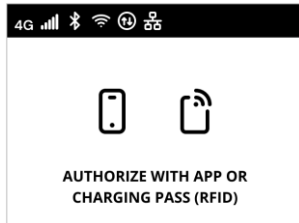


Questa schermata di fine sessione viene visualizzata per circa 5 secondi. La schermata può contenere il logo del marchio.

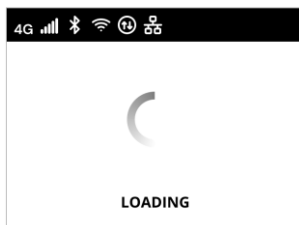
Schermate di autorizzazione all'accesso



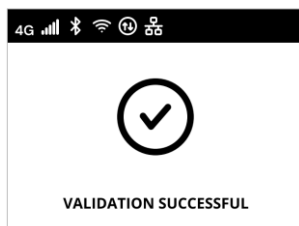
La schermata AUTORIZZAZIONE CON CHARGING PASS (RFID) appare quando è attivata la modalità operativa Autorizzazione. Per avviare il processo di ricarica, è necessario essere autorizzati tramite la carta RFID.



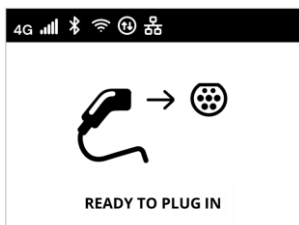
La schermata AUTORIZZA CON APP O CHARGING PASS (RFID) viene visualizzata quando la modalità operativa Autorizzazione è abilitata e il CPMS è collegato. Per avviare il processo di ricarica, è necessario essere autorizzati tramite App o carta RFID.



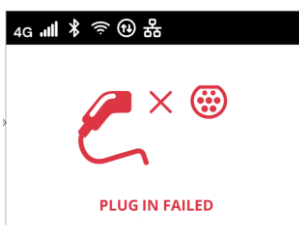
La schermata LOADING indica che è in corso la verifica dei parametri di autorizzazione.



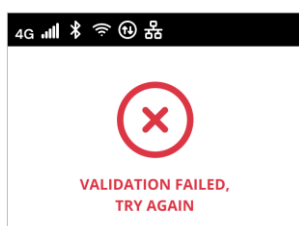
La schermata VALIDATION SUCCESSFUL conferma per 3 secondi l'accesso autorizzato.



Dopo l'autorizzazione, la schermata PRONTO ALL'INSERIMENTO indica che è possibile iniziare la ricarica. Si noti che si hanno 60 secondi per collegare il connettore di ricarica.

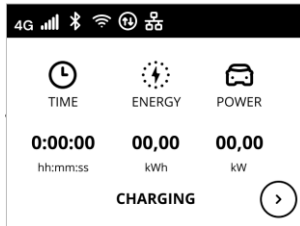


La schermata PLUG-IN FAILED indica che non è stato inserito alcun cavo entro 60 secondi e che l'accesso autorizzato è scaduto. È necessario ricominciare la procedura.

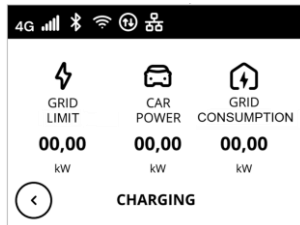


La schermata VALIDATION FAILED, TRY AGAIN appare per 5 secondi per indicare che il tentativo di autorizzazione è fallito. Controllare il metodo di autorizzazione e ricominciare la procedura.

Schermate informative del DPM



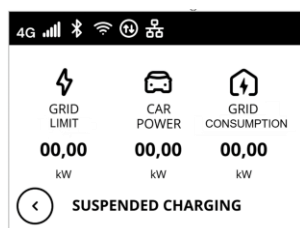
Se è installato PowerMeter (DPM), in basso a destra della schermata CHARGING è disponibile un pulsante per visualizzare le informazioni sulla Gestione dinamica della potenza.



La schermata CHARGING/DPM visualizza le informazioni DPM della sessione in corso:

- GRID LIMIT: limite di potenza del contratto
- CAR POWER: potenza assorbita dal veicolo
- GRID CONSUMPTION: potenza assorbita dalla rete

Premere il pulsante in basso a sinistra per tornare indietro.



Come sopra, le informazioni sul DPM possono essere visualizzate dalla schermata CARICA SOSPESA e dalla schermata PREPARAZIONE.

Schermate delle condizioni di errore

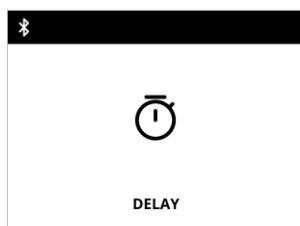


La schermata ERROR riporta una condizione di errore con il relativo codice. Vedere la risoluzione dei problemi nella sezione 6.

Altri schermi



AGGIORNAMENTO DEL SOFTWARE IN CORSO. Attendere il completamento dell'aggiornamento.



RITARDO prima della ricarica in corso.

4.11.2. eProWallbox Move Barra LED

NOTA: questa sezione si applica solo al modello **eProWallbox Move** LED bar. Il modello **eProWallbox** è dotato di un display come descritto in 4.11.1.

Comportamento della barra LED

Una volta acceso il caricatore, la barra LED lampeggia in una sequenza di colori. Lo stato del caricatore può essere facilmente monitorato attraverso i colori e il comportamento del LED frontale.

Quando il caricatore è acceso, la barra LED esegue una sequenza di colori rosso, verde e blu. Se questa condizione persiste, contattare il Servizio clienti (vedere la sezione 9).



	BLU	VERDE	ROSSO	GIALLO
PULSANTE	Preparazione alla carica	Carica in corso		Aggiornamento software
SOLIDO	Pronto a collegarsi (Autostart) o ad autorizzare con l'app (Authorization)	Carica sospesa da DPM o EV (ad esempio, carica completa).		Caricatore non disponibile/bloccato
LAMPEGGIANTE		Pronto per essere collegato	Errore rilevato	

AVVISO

Il comportamento del LED può variare a seconda della versione del software.

5. MESSA IN SERVIZIO

5.1. Flusso di lavoro della messa in servizio

Eeguire le operazioni descritte nelle sezioni seguenti come necessario, a seconda dei requisiti specifici dell'installazione.

- 1) Configurare PowerMeter (DPM) e MIDcounter. Vedere 5.2.
- 2) Avviare PowerUp (l'applicazione di installazione). Vedere 5.3.
- 3) Se necessario, configurare le impostazioni Wi-Fi. Vedere 5.4.
- 4) Se necessario, configurare le impostazioni Ethernet. Vedere 5.5.
- 5) Visualizzare i parametri di Stato e Caricatore. Vedere 5.6 e 5.7.
- 6) Controllare e aggiornare la versione del firmware. Vedi 5.8.
- 7) Impostare la modalità operativa. Vedere 5.9.
- 8) Controllare la potenza massima di carica e regolarla se necessario. Vedere 5.10.
- 9) Se installato, configurare il PowerMeter (DPM) sull'App. Vedere 5.11.
- 10) Se installato, configurare il MIDcounter sull'App. Vedere 5.11.
- 11) Se necessario, regolare le impostazioni specifiche del Paese. Vedere 5.13.
- 12) Se necessario, configurare la rete di Caricatori M/S. Vedere 5.11.2.
- 13) Se necessario, configurare l'EMS. Vedere 5.11.3.
- 14) Se la scheda SIM deve essere sostituita, configurare i parametri di Internet mobile. Vedere 5.14.
- 15) Se necessario, configurare la connessione OCPP del backend. Vedere 5.15.
- 16) Accertarsi di riavviare il caricatore affinché tutte le modifiche abbiano effetto.
- 17) Se necessario, consultare la Diagnostica per risolvere le condizioni di errore. Vedere 5.16.

5.2. Configurazione del PowerMeter (DPM) e del MIDcounter

Una volta completate le installazioni elettriche e di comunicazione, è possibile accendere il contatore di potenza (DPM) e/o il contatore MID (di seguito denominato contatore di energia). È quindi necessario procedere alla configurazione sul display del contatore di energia.

La configurazione varia a seconda del modello.

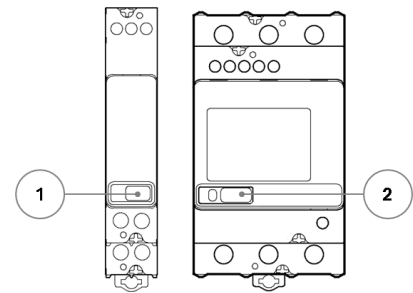
- ➔ Dopo la configurazione locale qui descritta, nel flusso di lavoro della messa in servizio (vedere la sezione 5), il Contatore deve essere configurato anche nell'App installatore (vedere la sezione 5). 5.11).

5.2.1. Configurazione dei modelli Finder

Regole generali del touchscreen Finder:

- Premere il tasto 1 o 2, a seconda del modello, per scorrere le voci del menu e dei parametri.
- Tenere premuto (~2 secondi) il tasto (1 o 2) per confermare la selezione della voce corrente.

Per ulteriori informazioni, consultare il manuale d'uso di Finder.



Procedura di configurazione

- 1) Per accedere al menu PRINCIPALE, tenere premuto il tasto (1 o 2) finché il testo del display non lampeggia.
- 2) Scorrere il menu PRINCIPALE con il tasto (1 o 2) e tenere premuta la voce di menu **SET** o **IMPOSTAZIONI**.
NOTA: a seconda del modello, i nomi delle voci di menu si adattano alla larghezza del display.
- 3) Scorrere il menu **IMPOSTAZIONI** e selezionare **COMM** o **COMUNICAZIONE**.
- 4) Scorrere il menu **COMM/COMMUNICATION** e selezionare i valori di **Indirizzo dispositivo**, **Bit al secondo**, **Parità** e **Bit di stop** come indicato nella tabella seguente.
- 5) Scorrere e selezionare ESC per tornare al menu principale.

Fasi aggiuntive solo per i Contatori di energia trifase

- 6) Scorrere il menu PRINCIPALE e selezionare **INSTALLAZIONE**.
- 7) Scorrere il menu **INSTALLAZIONE** e selezionare **MODALITÀ DI CONNESSIONE**.
- 8) In **MODALITÀ CONNESSIONE**, selezionare **3L+N, L+N-Aritmetica** (valutazione delle singole fasi).
- 9) Verificare che sia stata impostata l'opzione corretta e inserire la password **DCBA**.
NOTA: la configurazione non può essere modificata dopo aver inserito la password DCBA.
- 10) Quando viene richiesto, confermare la modifica selezionando **Sì**.

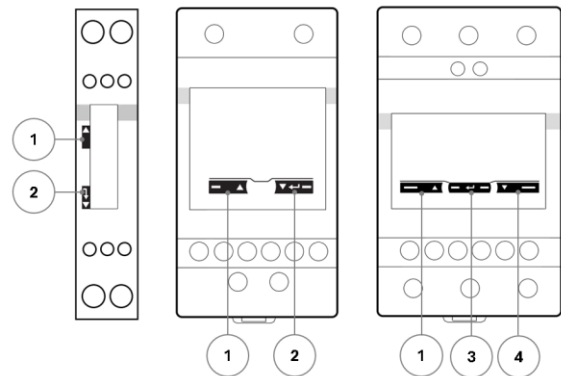
TUTTI I MODELLI FINDER	PowerMeter (DPM)	Contatore MID
Indirizzo/Indirizzo del dispositivo	1	2
Baud/Bit al secondo	38400 bit/s	38400 bit/s
Parità	Anche	Anche
Bit di stop/arresto	1	1
Supplemento per Contatore di energia trifase		
Modalità di comunicazione	3L+N, L+N-Aritmetica	3L+N, L+N-Aritmetica
Password	DCBA	DCBA

5.2.2. Configurazione dei modelli Gavazzi

Le regole del touchscreen Gavazzi:

- Premere il tasto 1 (su) e 2 o 4 (giù), a seconda del modello, per scorrere le voci del menu e dei parametri.
- Tenere premuto (~2 secondi) il tasto (2 o 3) per confermare la selezione della voce corrente.

Per ulteriori informazioni, consultare il manuale di istruzioni Gavazzi.



Procedura di configurazione

- 1) Quando si accende il contatore di energia per la prima volta, tenere premuto il tasto 2 (o 3) finché sullo schermo non appare la password.
- 2) Tenere premuti contemporaneamente i tasti 1 e 2 (o 1 e 4) per confermare la password 0000 e accedere al menu PRINCIPALE.
- 3) Scorrere il menu PRINCIPALE con i tasti 1 e 2 (o 1 e 4) e selezionare le opzioni come indicato nelle tabelle seguenti.

TUTTI I MODELLI GAVAZZI	PowerMeter (DPM)	Contatore MID
PASSO	0000	0000
INDIRIZZO	001	002
BAUD	38.4	38.4
PARITÀ	Anche	Anche
Supplemento per Contatore di energia trifase		
SISTEMA	3Pn	3Pn
INDIRIZZO	001	002

5.2.3. Riepilogo della configurazione del Contatore di energia

Finder 1ph Direct DPM	
INDIRIZZO DEL DISPOSITIVO	_1
BIT AL SECONDO (BAUD)	38400
PARITÀ	EVEN
BIT DI STOP	1

Finder 1ph Direct MID	
INDIRIZZO DEL DISPOSITIVO	_2
BIT AL SECONDO (BAUD)	38400
PARITÀ	EVEN
BIT DI STOP	1

Finder 3ph Direct DPM	
INDIRIZZO DEL DISPOSITIVO	_1
BIT AL SECONDO (BAUD)	38400
PARITÀ	EVEN
BIT DI STOP	1
MODALITÀ DI CONNESSIONE	3L+N, L+N - Aritmetica
PASSWORD	DCBA

Finder 3ph Direct MID	
INDIRIZZO DEL DISPOSITIVO	_2
BIT AL SECONDO (BAUD)	38400
PARITÀ	EVEN
BIT DI STOP	1
MODALITÀ DI CONNESSIONE	3L+N, L+N - Aritmetica
PASSWORD	DCBA

GAVAZZI 1phDiretto/Indiretto DPM	
PASSO	0000
INDIRIZZO	001
BAUD	38.4
PARITÀ	Anche

GAVAZZI 1phDirect MID	
PASSO	0000
INDIRIZZO	002
BAUD	38.4
PARITÀ	Anche

GAVAZZI 3phDiretto/Indiretto DPM	
PASSO	0000
SISTEMA	3Pn
INDIRIZZO	001
BAUD	38.4
PARITÀ	Anche

GAVAZZI 3phDirect MID	
PASSO	0000
SISTEMA	3Pn
INDIRIZZO	002
BAUD	38.4
PARITÀ	Anche

5.3. Avvio di PowerUp

Una volta completata l'installazione elettrica, il caricatore deve essere configurato attraverso una connessione Bluetooth utilizzando l'App **PowerUp**, l'installatore dedicato (vedi 3.8).

AVVISO

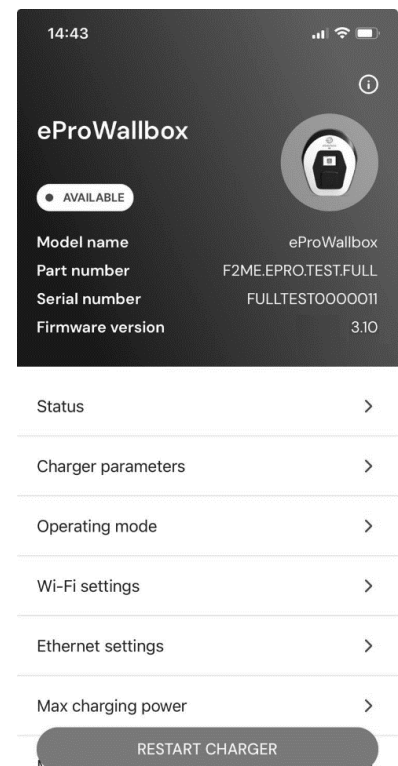
PowerUp è destinato esclusivamente a installatori qualificati.

AVVISO

Aggiornare sempre PowerUp alla versione più recente per accedere a tutte le funzioni.

Procedura di installazione e avvio dell'app

- 1) Assicurarsi che il Bluetooth sia abilitato sullo smartphone.
- 2) Aggiornare/scaricare l'ultima versione di **PowerUp** (vedi 3.8) ed eseguirla.
- 3) Selezionare la lingua e accettare le condizioni d'uso.
- 4) Rimuovere la Cornice esterna ed eseguire la scansione del codice QR del caricatore sul coperchio (vedere 3.3).
 - Se la connessione Bluetooth al caricatore è riuscita, viene visualizzata la pagina iniziale con le informazioni generali sul caricatore e il menu di configurazione.
 - Se non è raggiungibile, provare a riavviare l'APP o il Caricatore.
- 5) Seguire il menu in sequenza o andare direttamente alla pagina dei parametri che si desidera configurare. Per istruzioni dettagliate, consultare le sezioni seguenti.



NOTE GENERALI SULLE PAGINE DI CONFIGURAZIONE

- Nelle pagine di configurazione, selezionare **INVIA** per aggiornare le impostazioni del caricatore.
- Selezionare **←** in alto a sinistra per tornare indietro.
- Una volta completate tutte le modifiche, selezionare **RESTART CHARGER** dalla homepage per rendere effettive le modifiche.

5.4. Impostazioni Wi-Fi

La pagina **delle impostazioni Wi-Fi** consente di configurare la connessione Wi-Fi che permette la comunicazione con CPMS o con un sistema backend di terze parti (vedere 5.15).

AVVISO

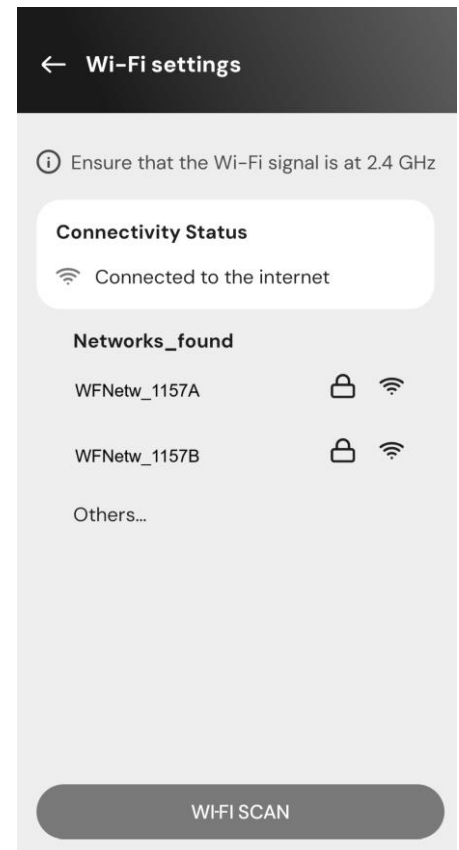
Il caricatore è compatibile solo con le reti Wi-Fi a 2,4 GHz. Se si tenta di connettersi a una rete Wi-Fi a 5 GHz, non funzionerà.

Procedura di configurazione

- 1) Nella pagina iniziale di **PowerUp**, selezionare **Impostazioni Wi-Fi**.
→ La pagina **delle impostazioni Wi-Fi** mostra lo stato di connettività, inizialmente non connesso.
- 2) Selezionare il pulsante **WI-FI SCAN** e selezionare la rete Wi-Fi (o hotspot) che si desidera utilizzare, quindi inserire la password e selezionare **Connetti**. In alternativa, è possibile selezionare **Altri** e inserire manualmente il nome Wi-Fi (SSID) e la password.

NOTA: verranno elencate come disponibili solo le reti a 2,4 GHz, escludendo altre reti incompatibili.

→ Se la connessione è riuscita, lo stato di connettività visualizza **Connesso a Internet**.



AVVISO

A scopo di assistenza, è possibile collegare temporaneamente il caricatore a un hotspot Wi-Fi generato da qualsiasi smartphone, compreso quello utilizzato per la configurazione. Controllare le impostazioni dello smartphone e verificare che l'hotspot Wi-Fi funzioni a 2,4 GHz.

Utilizzare questa procedura se il caricatore è offline ed è necessario un aggiornamento del software.

5.5. Impostazioni Ethernet

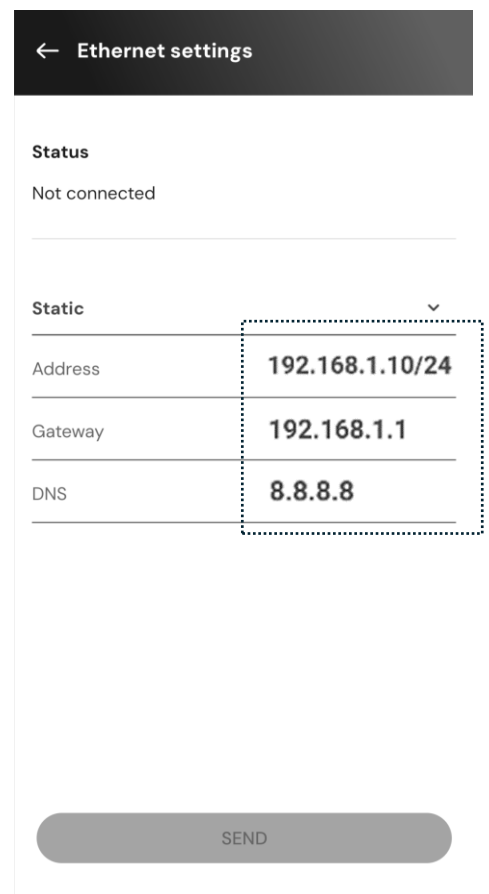
La pagina **delle impostazioni Ethernet** consente di configurare la connessione Ethernet che può essere attivata:

- Connessione al CPMS o al sistema backend di terze parti tramite OCPP
- Sistema di gestione dell'energia tramite Modbus TCP/IP

Al momento della connessione, la comunicazione Ethernet si avvia automaticamente con le impostazioni DHCP. Qui è possibile modificare le impostazioni predefinite.

Procedura di configurazione

- Il collegamento Ethernet deve essere realizzato come descritto in 4.10.
- 1) Nella pagina iniziale di **PowerUp**, selezionare **Impostazioni Ethernet**.
→ Viene visualizzata la pagina **Impostazioni Ethernet**. Mostra lo stato della connessione Ethernet.
 - 2) Selezionare la modalità di indirizzamento IP, che può essere:
 - **DHCP** (impostazione di fabbrica): Se il router locale supporta il protocollo DHCP per impostare l'indirizzo IP in modo dinamico (impostazione di fabbrica).
NOTA: se il server DHCP non è disponibile, il caricatore imposta automaticamente un indirizzo IP statico predefinito (192.254.0.3/16). Quando il server DHCP viene ripristinato, l'impostazione del caricatore torna a DHCP.
 - **Statico:** I parametri dell'indirizzo IP vengono impostati manualmente. In questo caso, è possibile specificare:
 - **Indirizzo** (obbligatorio): L'indirizzo IP del caricatore in notazione CIDR, ad esempio 192.168.1.10/24, dove /24 indica una maschera di sottorete a 24 bit (255.255.255.0), lasciando 8 bit per la rete IP che contiene 256 indirizzi IPv4, da 0 a 255.
 - **Gateway** (opzionale): L'indirizzo IP del gateway predefinito, in genere il router locale verso Internet. Ad esempio, 192.168.1.1.
 - **DNS** (opzionale): L'indirizzo IP del server DNS. Se non si intende utilizzare un server specifico, è possibile inserire l'indirizzo del server DNS di Google (8.8.8.8) o di Cloudflare (1.1.1.1).
 - **Nessuno:** La linea Ethernet è disattivata.
 - 3) Selezionare **INVIA** e riavviare il caricatore dalla homepage affinché le modifiche abbiano effetto. Per risparmiare tempo, è possibile riavviare in un secondo momento dopo aver apportato tutte le modifiche necessarie.
 - La configurazione di OCPP è descritta in 5.15.
 - La configurazione dell'EMS è descritta in 5.11.3.



← Ethernet settings	
Status	Not connected
Static	
Address	192.168.1.10/24
Gateway	192.168.1.1
DNS	8.8.8.8
SEND	

5.6. Stato

La pagina **Stato** mostra lo stato di:

- Scheda SIM
- Connettività Wi-Fi

5.7. Parametri del caricatore

La pagina **dei parametri del Caricatore** consente di visualizzare i parametri del **caricatore**:

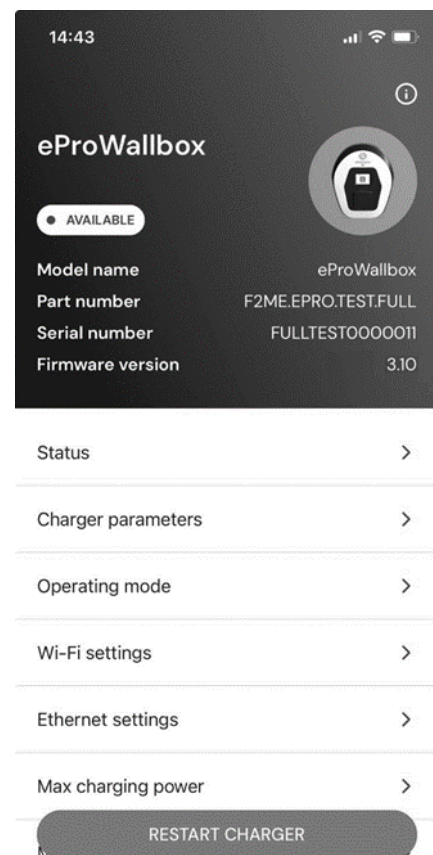
- Data di attivazione
- Alimentazione (monofase o trifase)
- Posizione del Rotary Switch che indica la massima potenza disponibile (vedi 4.6)

5.8. Versione del firmware visualizzazione e aggiornamento

La versione del firmware del caricatore è visualizzata nella pagina principale di PowerUp. Controllare che la versione sia quella Cover nel presente manuale (vedere 1.3). Se necessario, procurarsi il manuale della versione corretta (vedi 1.4).

Processo di aggiornamento del firmware

- Il caricatore deve essere collegato a Internet tramite uno dei seguenti dispositivi:
 - 4G LTE (solo eProWallbox)
 - Wi-Fi
 - Ethernet
- Una volta collegato, il firmware viene aggiornato automaticamente alla versione più recente in una o più fasi. L'intero processo può richiedere alcune ore.
- L'aggiornamento vero e proprio inizia quando il caricatore non è in uso.

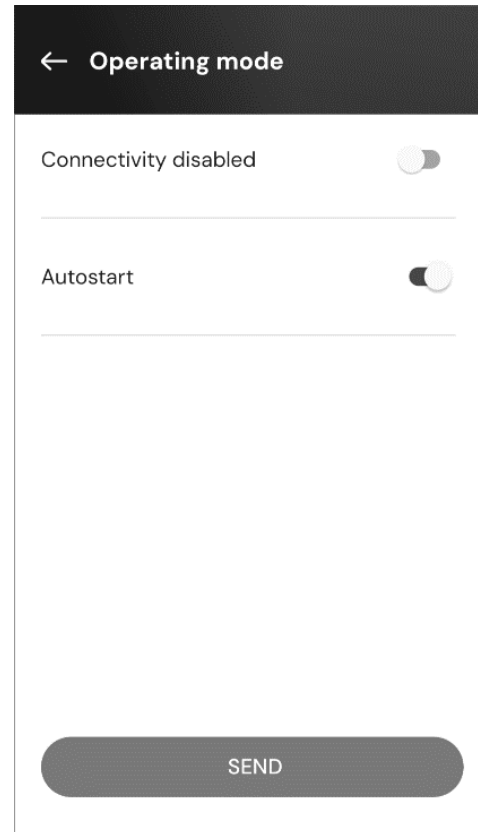


5.9. Modalità operativa

La pagina **Modalità operativa** consente di impostare le opzioni di connettività e autorizzazione.

Procedura di configurazione

- 1) Nella pagina iniziale di **PowerUp**, selezionare **Modalità operativa**.
→ La pagina **Modalità operativa** visualizza due parametri da impostare.
- 2) **Connettività disabilitata**: Selezionare se il caricatore è collegato o meno al CPMS.
 - **Connettività disabilitata** non impostata (impostazione di fabbrica): Il caricatore è collegato al sistema di gestione dei punti di ricarica (CPMS), che consente gli aggiornamenti del software, l'assistenza clienti a distanza e permette agli utenti di beneficiare delle massime funzionalità dell'App utente (vedere 3.8).
 - **Connettività disattivata**: Il caricatore funziona in modalità autonoma e non è collegato al sistema di gestione dei punti di ricarica (CPMS). L'utente ha accesso a funzionalità limitate nell'App utente, disponibili solo tramite Bluetooth.
- 3) **Avvio automatico**: Selezionare se è necessaria l'autorizzazione alla carica.
 - **Avvio automatico** impostato (impostazione di fabbrica): Non è necessaria alcuna autorizzazione e la sessione di ricarica può iniziare semplicemente collegando il cavo di ricarica.
 - **Avvio automatico** non impostato: La ricarica deve essere autorizzata da:
 - Presentazione del Charging Pass (RFID) sul caricatore (solo modello **eProWallbox**)
 - Autorizzare la sessione dall'applicazione utente (vedi 3.8). Questa funzione è disponibile solo se il caricatore è collegato a un CPMS.
- 4) Selezionare **INVIA** e riavviare il caricatore dalla homepage affinché le modifiche abbiano effetto. Per risparmiare tempo, è possibile riavviare in un secondo momento dopo aver apportato tutte le modifiche necessarie.



5.10. Potenza massima di carica

La pagina **Potenza massima di carica** consente di ridurre la potenza massima disponibile, impostata durante l'installazione elettrica con l'interruttore rotante **SW1**.


Procedura di configurazione

- 1) Nella pagina iniziale di **Potenza**, selezionare **Potenza massima di carica**.
→ La pagina **Potenza massima di carica** mostra la posizione del commutatore rotante che determina il tipo di alimentazione (monofase o trifase) e il limite massimo di potenza (vedi 4.6).
- 2) Regolare il cursore **Potenza massima di carica** per ridurre il valore massimo come necessario.
- 3) Selezionare **INVIA** e riavviare il caricatore dalla homepage affinché le modifiche abbiano effetto. Per risparmiare tempo, è possibile riavviare in un secondo momento dopo aver apportato tutte le modifiche necessarie.

← Max charging power

Power supply
Single-phase

Rotary switch position



Max A 32.0
Max kW 7.4

Max charging power 7.4 kW

1.4 kW 7.4 kW

SEND

5.11. Gestione della Potenza

La pagina Gestione Potenza consente di impostare la funzione di gestione della potenza desiderata, scegliendo tra:

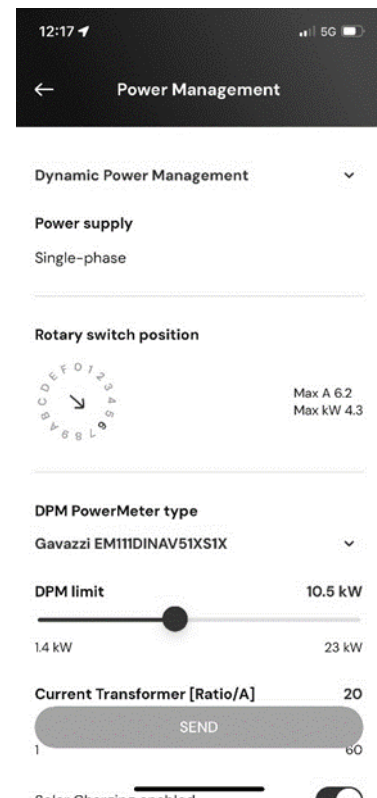
- Disattivato: tutte le funzioni sono disattivate
- Gestione dinamica della potenza (PowerMeter DPM)
- Principale/Satellite
- Sistema di gestione dell'energia domestica (server ModBus) - impostazione di fabbrica

5.11.1. Gestione dinamica della potenza

La pagina **Gestione dinamica della potenza** consente di impostare le opzioni DPM.

Procedura di configurazione

- Il collegamento a **PowerMeter (DPM)** deve essere effettuato come descritto in 4.9.1.
 - Il **PowerMeter (DPM)** deve essere configurato come descritto in 5.2.
- 1) Nella pagina iniziale di **Potenza**, selezionare **Gestione dinamica della potenza**.
 - 2) In **Gestione dinamica della potenza**, selezionare una delle seguenti opzioni:
 - **OFF** (impostazione predefinita) se non è installato **PowerMeter (DPM)**.
 - Il dispositivo installato tra quelli presenti nell'elenco.
 - 3) Se installato, configurare la **carica solare** (vedere sotto).
 - 4) Selezionare **INVIA** e riavviare il caricatore dalla homepage affinché le modifiche abbiano effetto. Per risparmiare tempo, è possibile riavviare in un secondo momento dopo aver apportato tutte le modifiche necessarie.



5.11.1.1. Impostazioni per la ricarica solare e l'accumulo di energia

La **ricarica solare** consente di integrare il caricatore con un sistema fotovoltaico esistente (PV) per massimizzare l'uso di fonti di energia rinnovabili durante la ricarica del veicolo.

Questa funzione è supportata solo se è installato e configurato un PowerMeter (DPM). Per il corretto posizionamento del DPM, fare riferimento ai diagrammi in 4.8.1.

Nella configurazione della **Gestione dinamica della potenza** (vedi 5.11):

- 1) Abilitare la ricarica solare facendo clic sull'icona. Quindi selezionare una delle seguenti opzioni:
 - Modalità ibrida: Vengono utilizzate sia la rete che l'energia fotovoltaica.
 - Modalità verde: Massimizza l'uso della potenza fotovoltaica.

NOTA: la modalità verde può interrompere temporaneamente la carica se non è disponibile sufficiente potenza fotovoltaica.
- 2) Attivare l'**accumulo di energia**, se disponibile.

5.11.2. Main/Satellite

La pagina **Principale/Satellite** consente di configurare la rete di caricatori M/S, dove un caricatore principale può coordinare via RS485 fino a cinque caricatori satellite per un funzionamento bilanciato in base alla potenza massima disponibile nel punto di connessione comune.

Per configurare la rete di caricatori M/S, nell'App di installazione è necessario configurare il caricatore principale e i caricatori satellite come descritto di seguito.

Procedura di configurazione del caricatore Principale

- Il collegamento Modbus RS485 deve essere realizzato come descritto in 4.9.4.
 - 1) Nella pagina Gestione dell'alimentazione, selezionare Principale/Satellite.
 - 2) Abilitare la funzione.
 - 3) In Ruolo M/S selezionare Principale per il caricatore principale.
 - 4) In **Limite di potenza del gruppo**, spostare il cursore per impostare la potenza massima per il gruppo di caricatori collegati in rete.
 - 5) Selezionare **INVIA** e riavviare il caricatore dalla homepage affinché le modifiche abbiano effetto. Per risparmiare tempo, è possibile riavviare in un secondo momento dopo aver apportato tutte le modifiche necessarie.

Procedura di configurazione del caricatore Satellite

- Il collegamento Modbus RS485 deve essere realizzato come descritto in 4.9.4.
 - 1) Nella pagina Gestione dell'alimentazione, selezionare Principale/Satellite.
 - 2) Abilitare la funzione.
 - 3) Nel ruolo M/S selezionare Satellite e un numero univoco da 1 a 5.
 - 4) Selezionare **INVIA** e riavviare il caricatore dalla homepage affinché le modifiche abbiano effetto. Per risparmiare tempo, è possibile riavviare in un secondo momento dopo aver apportato tutte le modifiche necessarie.

5.11.3. Impostazioni del sistema di gestione dell'energia (server ModBus)

Il caricatore può essere collegato a un sistema di gestione dell'energia (HEMS) o a un altro dispositivo Modbus tramite Modbus RTU su RS485 o Modbus TCP/IP su Ethernet.

Questa funzione è abilitata per impostazione predefinita nel menu dell'applicazione.

- ➔ Le funzioni HEMS si basano su Modbus, come descritto nella documentazione delle Mappe Modbus. Vedi 1.4.

Procedura di configurazione

- 1) Nella pagina Gestione dell'energia, selezionare Sistema di gestione dell'energia domestica.
- 2) In Protocollo Modbus, selezionare RTU o TCP/IP.

5.11.3.1. Modbus RTU

Procedura di configurazione

- Il cablaggio RS485 deve essere realizzato come descritto al punto 4.9.
- 1) Inserire i parametri Modbus RS485 RTU:
 - Indirizzo Modbus RTU: 1 per impostazione predefinita (da 1 a 32)
 - Velocità di trasmissione: 115200 per impostazione predefinita.
 - 2) Selezionare **INVIA** e riavviare il caricatore dalla homepage affinché le modifiche abbiano effetto. Per risparmiare tempo, è possibile riavviare in un secondo momento dopo aver apportato tutte le modifiche necessarie.

5.11.3.2. Modbus TCP/IP

Procedura di configurazione

La connessione Ethernet deve essere realizzata come descritto al punto 4.10.

- 1) Inserire i parametri Modbus TCP/IP:
 - **Porta**, per impostazione predefinita 502. È possibile modificarla in caso di conflitto con altre applicazioni.
 - **Timeout**: per impostazione predefinita, 1000 msec. È possibile modificarlo in caso di conflitto con altre applicazioni.
 - È possibile configurare gli indirizzi **IP** (obbligatorio), **Gateway** e **DNS**.
- 2) Selezionare **INVIA** e riavviare il caricatore dalla homepage affinché le modifiche abbiano effetto. Per risparmiare tempo, è possibile riavviare in un secondo momento dopo aver apportato tutte le modifiche necessarie.

5.12. Contatore MID

Procedura di configurazione

- Il collegamento **del MIDcounter** deve essere effettuato come descritto in 4.9.2.
 - Il **MIDcounter** deve essere configurato come descritto in 5.2.
- 1) Nella pagina iniziale di **PowerUp**, selezionare **MIDcounter**.
 - 2) In **Tipo di contatore MID**, selezionare una delle seguenti opzioni:
 - **OFF** (impostazione predefinita) se non è stato installato **MIDcounter**.
 - Il dispositivo installato tra quelli presenti nell'elenco.
 - 3) Selezionare **INVIA** e riavviare il caricatore dalla homepage affinché le modifiche abbiano effetto. Per risparmiare tempo, è possibile riavviare in un secondo momento dopo aver apportato tutte le modifiche necessarie.

← MIDcounter

Power supply

Single-phase

MIDcounter type

OFF

OFF

FINDER 7M.24.8.230.0210

FINDER 7M.38.8.400.0212 (1 ph)

Gavazzi EM111DINAV81XS1PFB

SEND

5.13. Impostazioni specifiche del Paese

La pagina **delle impostazioni del Paese** consente di impostare le funzionalità per determinati Paesi.

AVVISO

L'installatore ha la responsabilità di verificare che queste norme siano ancora in vigore e di controllare eventuali ulteriori norme locali che potrebbero essere rilevanti per l'uso di questo prodotto nel paese di installazione.

5.13.1. Sbilanciamento del carico (AT, CH, DE, NL)

Lo Sbilanciamento del carico è una funzione di gestione della potenza conforme agli standard di Austria, Germania, Paesi Bassi e Svizzera, dove lo sbilanciamento di corrente tra le fasi non deve differire più di un certo valore. Questa funzione impedisce ai veicoli monofase di prelevare dalla rete una corrente più sbilanciata di quella richiesta dalle normative locali.

La funzione Sbilanciamento del carico è disattivata (**OFF**) per impostazione predefinita. Per attivarla:

- 1) Nella homepage di **PowerUp**, selezionare **Impostazioni paese**.
- 2) In **Carico sbilanciato**, selezionare il valore in base agli standard locali:
 - **20 A** per la Germania
 - **16 A** per Austria, Svizzera e Paesi Bassi.
- 3) Selezionare **INVIA** e riavviare il caricatore dalla homepage affinché le modifiche abbiano effetto. Per risparmiare tempo, è possibile riavviare in un secondo momento dopo aver apportato tutte le modifiche necessarie.

5.13.2. Ritardo casuale (UK)

Obbligatoria per il Regno Unito, questa funzione fa sì che le sessioni di ricarica inizino con un ritardo casuale compreso tra 0 e il valore selezionato. Il valore predefinito è 10 minuti e il valore massimo consentito è 30 minuti.

La funzione è disattivata per impostazione predefinita. Per attivarla:

- 1) Nella homepage di **PowerUp**, selezionare **Impostazioni paese**.
- 2) Attivare il **ritardo casuale** e impostare il tempo di ritardo desiderato (minuti e secondi).
- 3) Selezionare **INVIA** e riavviare il caricatore dalla homepage affinché le modifiche abbiano effetto. Per risparmiare tempo, è possibile riavviare in un secondo momento dopo aver apportato tutte le modifiche necessarie.

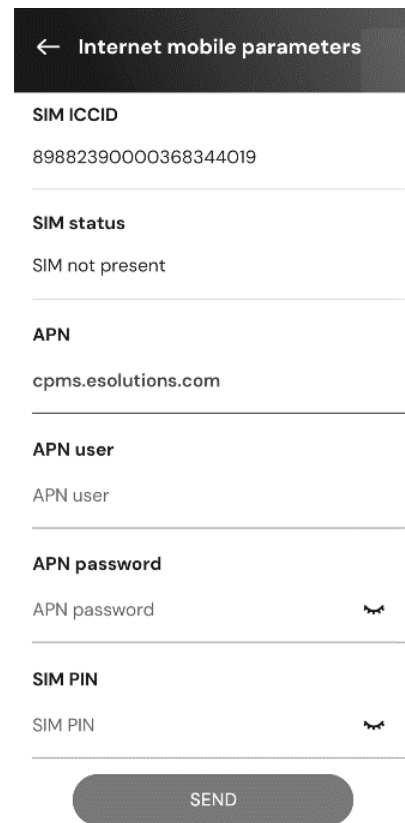
➔ Gli utenti possono attivare, disattivare e regolare il tempo di ritardo dall'App utente (vedere 3.8).

5.14. Parametri Internet mobile

La pagina **dei parametri di Internet mobile** consente di impostare i parametri di comunicazione mobile necessari quando si dispone di una connessione 4G LTE.

Procedura di configurazione

- 1) Nella homepage di **PowerUp**, selezionare i **parametri di Internet mobile**.
→ Viene visualizzata la pagina **dei parametri di Internet mobile** con le informazioni sulla SIM.
- 2) Inserire le seguenti informazioni di accesso a Internet mobile:
 - **APN**, il nome del punto di accesso fornito dall'operatore.
L'indirizzo predefinito è **cpms.esolutions.com**.
 - **Utente APN e password APN**, le credenziali di accesso (se necessarie).
 - **PIN SIM**, il codice di sicurezza per attivare la carta SIM (se necessario).
- 3) Selezionare **INVIA** e riavviare il caricatore dalla homepage affinché le modifiche abbiano effetto. Per risparmiare tempo, è possibile riavviare in un secondo momento dopo aver apportato tutte le modifiche necessarie.



← Internet mobile parameters

SIM ICCID
89882390000368344019

SIM status
SIM not present

APN
cpms.esolutions.com

APN user
APN user

APN password
APN password

SIM PIN
SIM PIN

SEND

5.15. Configurazione del backend OCPP

Per impostazione predefinita, il caricatore è configurato per connettersi a un sistema di gestione dei punti di ricarica (CPMS). Se necessario, il caricatore può collegarsi a una piattaforma backend di terze parti utilizzando il protocollo OCPP 1.6 JSON. La connessione può essere effettuata tramite:

- Wi-Fi (è richiesta l'impostazione Wi-Fi, vedi 5.4).
 - Ethernet (è necessaria l'impostazione Ethernet, vedere 5.5).
 - 4G LTE (è richiesta l'impostazione dei parametri di Internet Mobile, vedi 5.14).
- NOTA:** il 4G LTE è supportato solo dal modello **eProWallbox**, non è disponibile sul modello **eProWallbox Move**. Vedere anche 1.1.

La funzione supporta la connessione OCPP in chiaro o criptata TLS.

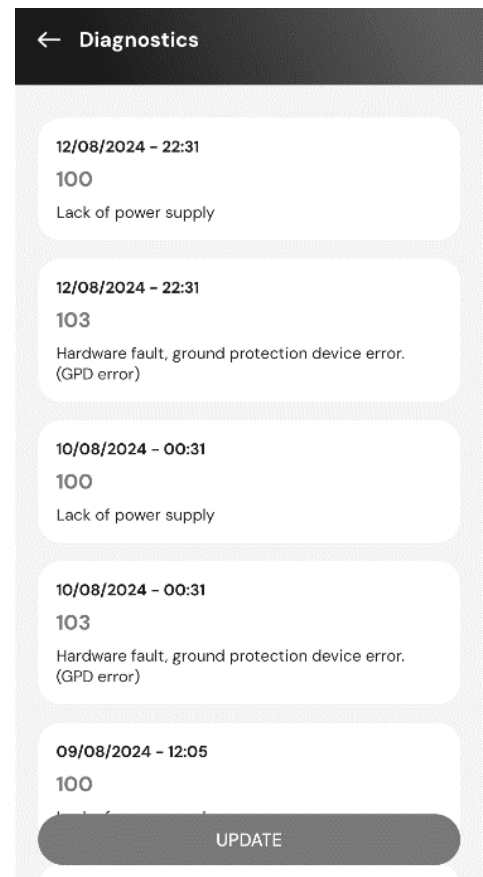
Procedura di configurazione

- 1) Nella homepage di PowerUp, selezionare Configurazione backend OCPP.
- 2) Selezionare dall'elenco a discesa l'indirizzo CPMS desiderato. Il CPMS predefinito è: **Free2move eSolutions (wss://ocpp.cpms.esolutionscharging.com/ocpp)**.
- 3) Selezionare **INVIA** e riavviare il caricatore dalla homepage affinché le modifiche abbiano effetto. Per risparmiare tempo, è possibile riavviare in un secondo momento dopo aver apportato tutte le modifiche necessarie.

5.16. Diagnostica

La pagina **Diagnostica** consente di accedere all'elenco di eventi, anomalie ed errori verificatisi sul caricatore.

- 1) Dalla homepage di **PowerUp**, selezionare **Diagnostica** per visualizzare il registro di diagnostica.
 - Viene visualizzato l'elenco degli eventi. Include:
 - La data e l'ora dell'evento
 - Il codice di errore a 3 cifre
 - Breve descrizione dell'evento
- 2) Utilizzare il codice di errore per la risoluzione dei problemi (vedere la sezione 6).



6. RISOLUZIONE DEI PROBLEMI

Le condizioni di errore vengono memorizzate nei registri di diagnostica e visualizzate sul pannello del caricatore:

- Sul modello **eProWallbox Move**, la barra LED lampeggia in rosso. Vedere la sezione **Diagnostica** di PowerUP (5.16) o l'applicazione utente per il codice di errore dettagliato.
- Nel modello **eProWallbox**, il display visualizza il codice di errore, disponibile anche nella sezione **Diagnostica** di PowerUP (5.16).

Quando si verifica un errore, la carica viene interrotta e la presa viene sbloccata per consentire di scollegare la spina.

La tabella seguente fornisce un elenco degli errori che possono verificarsi e la relativa risoluzione dei problemi. Se l'errore persiste, annotare il numero di serie sull'etichetta del caricatore (vedere 3.3) e contattare il Servizio clienti (vedere sezione 9).

Codice di errore / Problema	Descrizione dell'errore	Risoluzione dei problemi
100	Mancanza di alimentazione	<ul style="list-style-type: none"> • Verificare che l'interruttore automatico sia attivo. • Verificare che il cablaggio di CN1 sia corretto. • Controllare la tensione in CN1.
101	Surriscaldamento	<ul style="list-style-type: none"> • Scollegare il cavo di tipo 2, attendere che la temperatura si riduca, quindi l'errore verrà eliminato. • Per riavviare la sessione di ricarica, collegare nuovamente il cavo. • Assicurarsi che il luogo di installazione sia compatibile con l'intervallo di temperatura (25°C/+50°C senza esposizione diretta alla luce solare).
102	Errore di comunicazione tra MCU e MPU.	<ul style="list-style-type: none"> • Riavviare il caricatore dall'interruttore, lasciandolo spento per almeno 60 secondi.
103	Guasto hardware, errore del dispositivo di protezione di terra (errore GPD)	<ul style="list-style-type: none"> • Controllare il cablaggio su CN1: <ul style="list-style-type: none"> – in monofase, assicurarsi che il cavo di terra sia collegato a PE, il cavo di neutro sia collegato a N e il cavo di fase a T – in trifase, assicurarsi che il cavo di terra sia collegato a PE, il cavo di neutro sia collegato a N e che i cavi di fase L1, L2 e L3 siano collegati a R, S e T. • Verificare che la differenza di tensione tra PE e N non superi i 10V. • Controllare il collegamento PE. • Se tutti i collegamenti sono stati controllati e l'errore persiste, aprire il caricatore e modificare la configurazione del connettore dell'interruttore DIP (SW2), secondo quanto indicato in 4.7.
104	Guasto hardware, errore AC del monitor di corrente residua. (Intervento RCM CA)	<ul style="list-style-type: none"> • Provare ad avviare una nuova sessione di ricarica, rimuovendo e collegando tutti i connettori. • Se il problema persiste, verificare la presenza di eventuali problemi nel cavo di ricarica o nell'ingresso del veicolo. • Se i cavi e l'EV non presentano alcun problema, controllare il connettore CN27 e il cavo RCM. Vedere 3.6.
105	Guasto hardware, errore CC del monitor della corrente residua. (Intervento RCM CC)	<ul style="list-style-type: none"> • Verificare che il problema non dipenda dal cavo o dal veicolo. Se possibile, provare un'altra sessione di ricarica con un cavo o un veicolo diverso.
106	Errore interno del Contatore	<ul style="list-style-type: none"> • Riavviare il caricatore dall'interruttore, lasciandolo spento per almeno 60 secondi.
107	Errore di comunicazione PowerMeter (DPM)	<ul style="list-style-type: none"> • Verificare che la configurazione della comunicazione sul dispositivo PowerMeter (DPM) sia corretta. Vedere 5.2. • Verificare che la configurazione del modello DPM nell'App di installazione sia corretta. Vedere 5.11. • Controllare il cablaggio del cavo di comunicazione su CN12. Vedere 4.9. • Verificare che il cavo di comunicazione utilizzato sia adatto al Modbus RS485 e alla lunghezza del cavo. Vedere 4.9.

Codice di errore / Problema	Descrizione dell'errore	Risoluzione dei problemi
108	Errore di configurazione, la posizione del Rotary Switch (tipo di alimentazione) non corrisponde al tipo di DPM/ MID	<ul style="list-style-type: none"> Controllare la posizione dell'interruttore rotante. Se non è coerente con l'installazione 1-f/3-f, modificarla in base alla tabella del manuale, quindi riavviare il caricatore. Se gli accessori (DPM/MID) non sono installati, assicurarsi che la funzione sia disabilitata nell'App di installazione. Vedere 5.11 e 5.11.2. Se sono stati installati gli accessori (DPM/MID), verificare che nell'App di installazione sia stato selezionato il modello corretto (vedi 5.11 e 5.11.2). Quindi riavviare il Caricatore.
109	Errore di comunicazione RS485 principale/satellite	<ul style="list-style-type: none"> Verificare la configurazione della rete M/S impostata dall'applicazione di installazione. Verificare che il Caricatore principale sia disponibile. Verificare che il cablaggio del cavo di comunicazione su CN9 e CN10 sia corretto. Vedere 4.9.4. Verificare che il cavo di comunicazione utilizzato sia adatto al Modbus RS485.
110	Errore di comunicazione del MIDcounter	<ul style="list-style-type: none"> Verificare che la configurazione della comunicazione sul dispositivo MIDcounter sia corretta. Vedere 5.2. Controllare il cablaggio del cavo di comunicazione su CN12. Vedere 4.9. Verificare che il cavo di comunicazione utilizzato sia adatto al Modbus RS485. Verificare che la configurazione del modello MID nell'App di installazione sia corretta. Vedere 5.11.2.
112	Errore di configurazione del relè	<ul style="list-style-type: none"> Contattare il servizio clienti
113	Lettore RFID scollegato	<ul style="list-style-type: none"> Verificare il collegamento del cavo tra il lettore RFID (vedere sezione 3.6 - numero 9) e il connettore CN11 sulla scheda principale. Quindi riavviare il caricabatterie.
114		
115	Scheda 4G/LTE scollegata	<ul style="list-style-type: none"> Verificare il corretto collegamento tra la scheda 4G/LTE (vedere sezione 3.6 - numero 4) e il connettore CN8 della scheda principale. Quindi riavviare il caricabatterie.
116	Display scollegato	<ul style="list-style-type: none"> Verificare il collegamento tra il cavo piatto del display e il connettore CN25 della scheda principale. Riavviare quindi il caricabatterie.
118	Guasto scheda Wi-Fi	<ul style="list-style-type: none"> Contattare il servizio clienti
119	Guasto della scheda BLE	<ul style="list-style-type: none"> Contattare il servizio clienti
300	Incoerenza tra il comando del contattore del caricatore e il feedback	<ul style="list-style-type: none"> Riavviare il caricatore dall'interruttore, lasciandolo spento per almeno 60 secondi. Se l'errore persiste dopo il riavvio, chiamare il Servizio clienti.
301	Rilevato cortocircuito sulla linea Control Pilot.	<ul style="list-style-type: none"> Con il caricatore spento, verificare che non vi siano danni e difetti all'interno e all'esterno della presa (in tal caso, evitare di usare il caricatore e contattare il Servizio clienti (vedere la sezione 9). Verificare che il problema non sia legato al cavo o al veicolo e provare un'altra sessione di carica (con un altro veicolo o cavo, se possibile).
302	Stato E o F impostato sulla linea Control Pilot.	<ul style="list-style-type: none"> Con il caricatore spento, verificare che non vi siano danni e difetti all'interno e all'esterno del cavo e dei suoi connettori (in tal caso, evitare di utilizzarlo e tentare la ricarica con un altro cavo). Verificare che i connettori dei cavi siano inseriti completamente nella presa del caricatore e nell'ingresso del veicolo. Verificare che il problema non sia legato al cavo o al veicolo e provare un'altra sessione di carica (con un altro veicolo o cavo, se possibile).
303	Pilota di controllo scollegato.	
304	Pilota di prossimità scollegato.	
305	Rilevato pilota di prossimità rotto.	
306	Rilevato un guasto del diodo sulla linea Control Pilot (assenza di -12V).	<ul style="list-style-type: none"> Tentare una nuova sessione di ricarica scollegando e reinserendo il cavo sia dal caricatore che dall'ingresso del veicolo.
307	Pilota di controllo scollegato.	<ul style="list-style-type: none"> Con il caricatore spento, verificare che non vi siano danni e difetti all'interno e all'esterno del cavo e dei suoi connettori (in tal caso, evitare di utilizzarlo e tentare la ricarica con un altro cavo). Controllare che i connettori dei cavi siano inseriti completamente nella presa del caricatore e nell'ingresso del veicolo. Verificare che il problema non sia legato al cavo o al veicolo e provare un'altra sessione di carica (con un altro veicolo o cavo, se possibile).

Codice di errore / Problema	Descrizione dell'errore	Risoluzione dei problemi
308	Incoerenza tra il comando del motore e la retroazione, oppure il motore si trova in una condizione di errore.	<ul style="list-style-type: none"> Tentare una nuova sessione di ricarica scollegando e reinserendo il cavo sia dal caricatore che dall'ingresso del veicolo. Controllare che i connettori dei cavi siano inseriti completamente nella presa del caricatore e nell'ingresso del veicolo.
309	309 Errore di controllo del motore durante la fase di inizializzazione dell'EVSE.	<ul style="list-style-type: none"> Riavviare il caricatore dall'interruttore, lasciandolo spento per almeno 60 secondi.
310	Errore rilevato prima della carica (PP non rilevato, o guasto del motore, o CP non rilevato).	<ul style="list-style-type: none"> Con il caricatore spento, verificare che non vi siano danni e difetti all'interno e all'esterno del cavo e dei suoi connettori (in tal caso, evitare di utilizzarlo e tentare la ricarica con un altro cavo). Verificare che i connettori dei cavi siano inseriti completamente nella presa del caricatore e nell'ingresso del veicolo.
311	Errore rilevato dopo la carica (guasto del motore o CP non scollegato).	<ul style="list-style-type: none"> Verificare che il problema non sia legato al cavo o al veicolo e provare un'altra sessione di carica (con un altro veicolo o cavo, se possibile).
312	Arresto di emergenza ricevuto dalla MPU.	<ul style="list-style-type: none"> Riavviare il caricatore dall'interruttore, lasciandolo spento per almeno 60 secondi.
313	Corrente rilevata durante la carica, con un ciclo di lavoro del 100% sulla linea Control Pilot.	<ul style="list-style-type: none"> Verificare che il problema non sia legato al cavo o al veicolo, tentare una nuova sessione di ricarica con un altro cavo e/o caricatore.
315	Sovraccarico di corrente sulla fase L1	<ul style="list-style-type: none"> Scollegare il cavo, se possibile abbassare la potenza di carica sul lato del veicolo e tentare una nuova sessione di carica. Se possibile, ricaricare con un altro veicolo. Se l'allarme non compare, il problema potrebbe risiedere nel veicolo. Rivolgersi al concessionario.
316	Sovraccarico di corrente sulla fase L2	
317	Superamento dei limiti di corrente sulla fase L3	
318	Tensione inferiore a una soglia sulla fase L1	<ul style="list-style-type: none"> Verificare che la posizione dell'interruttore rotante sia coerente con l'installazione 1-f/3-f. Vedere 4.6. Controllare che la tensione su CN1-T sia superiore a 196 V. Se la tensione è inferiore a 196 V, controllare l'impianto elettrico o contattare il fornitore di energia.
319	Tensione inferiore a una soglia sulla fase L2	<ul style="list-style-type: none"> L'interruttore rotante è in posizione trifase. Verificare che l'installazione prevista sia trifase. In caso contrario, selezionare la posizione corretta dell'interruttore rotante come da Manuale di installazione. Verificare che la tensione su CN1-S sia superiore a 196 V. Se la tensione è inferiore a 196 V, controllare l'impianto elettrico o contattare il fornitore di energia.
320	Tensione inferiore a una soglia sulla fase L3	<ul style="list-style-type: none"> Se si verifica un errore durante la carica del veicolo, provare a ridurre la potenza di carica impostata e verificare che l'impianto elettrico sia dimensionato correttamente per la potenza assorbita dal veicolo.
321	Errore di comunicazione tra il caricabatterie e il veicolo	<ul style="list-style-type: none"> Aggiornare il firmware del caricabatterie (versione FW 3.10.0 o superiore) Se l'errore persiste, contattare il produttore del veicolo (l'EV non soddisfa gli standard IEC 61851-1 per l'avvio di una sessione di carica).
	Display/LED bloccato in modalità Welcome (il LED lampeggia in rosso-verde-blu)	<ul style="list-style-type: none"> Riavviare il caricatore dall'interruttore, lasciandolo spento per almeno 60 secondi.
	Il LED o il display non si accende all'avvio	
	Il caricatore non si avvia	<ul style="list-style-type: none"> Lasciare che l'unità si riavvii; potrebbero essere necessari fino a 30 secondi. Verificare che l'interruttore automatico sia attivo. Verificare che il cablaggio di CN1 sia corretto. Controllare la tensione in CN1. Riavviare il caricatore dall'interruttore, lasciandolo spento per almeno 60 secondi.
	Cavo incastrato nella presa del caricatore	<ul style="list-style-type: none"> Spegnere il caricatore dall'interruttore automatico, quindi rimuovere il cavo.

Codice di errore / Problema	Descrizione dell'errore	Risoluzione dei problemi
	Carica sospesa con LED verde fisso/messaggio sul display. La sessione di carica è sospesa dal DPM o dal veicolo. La sessione può riprendere.	<ul style="list-style-type: none"> • Verificare che la potenza massima nella sezione Limite di potenza DPM dell'App installatore sia coerente con il valore di potenza contrattuale in kW indicato nel contratto elettrico dell'utente. Se il valore è corretto, attendere la ripresa della sessione di ricarica o spegnere alcuni carichi domestici. • In caso di installazione trifase, verificare che i carichi elettrici siano ben bilanciati sulle fasi dell'impianto domestico.
	L'accoppiamento dell'app non si completa dopo la scansione del QR.	<ul style="list-style-type: none"> • Verificare l'integrità del codice QR sull'etichetta. • Aggiornare l'applicazione alla versione più recente. • Chiudere e riavviare l'applicazione, quindi riprovare. • Riavviare il caricatore dall'interruttore, lasciandolo spento per almeno 60 secondi.

7. PULIZIA

Si consiglia di pulire l'esterno del caricatore ogni volta che è necessario, utilizzando un panno morbido e umido con un detergente delicato. Al termine, eliminare eventuali tracce di umidità o di liquido con un panno morbido e asciutto.



ATTENZIONE

Evitare forti getti

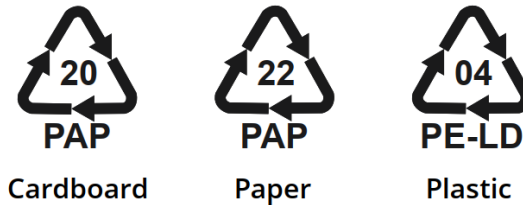
d'aria o d'acqua e utilizzare detergenti con valore PH compreso tra 7 e 9. Evitare l'uso di detergenti altamente acidi (pH < 6) o altamente alcalini (pH > 10), in quanto possono danneggiare la plastica o scolorire nel tempo.

8. SMALTIMENTO

8.1. Smaltimento degli imballaggi

Smaltire l'imballaggio in modo ecologico. I materiali di imballaggio sono riciclabili e devono essere smaltiti secondo le norme locali.

Seguire le istruzioni per lo smaltimento riportate sui materiali di imballaggio:



8.2. Smaltimento del prodotto

Il Caricatore contiene componenti elettronici, cablaggi e materiali che non devono essere smaltiti nei normali rifiuti. Il dispositivo deve essere smaltito presso un centro di riciclaggio attrezzato per la gestione e il riciclaggio dei rifiuti elettronici (RAEE).

Lo smaltimento dei rifiuti elettronici, compresi i caricatori EV, è spesso soggetto a normative locali che è necessario seguire per evitare problemi legali e danni ambientali.

9. ASSISTENZA

In caso di domande sull'uso del prodotto, di necessità di ulteriori informazioni o di richieste di assistenza, contattare il Servizio Clienti:

Consultare il sito web di Free2move eSolutions:

https://www.esolutions.free2move.com/eu/en_it/contact-us/

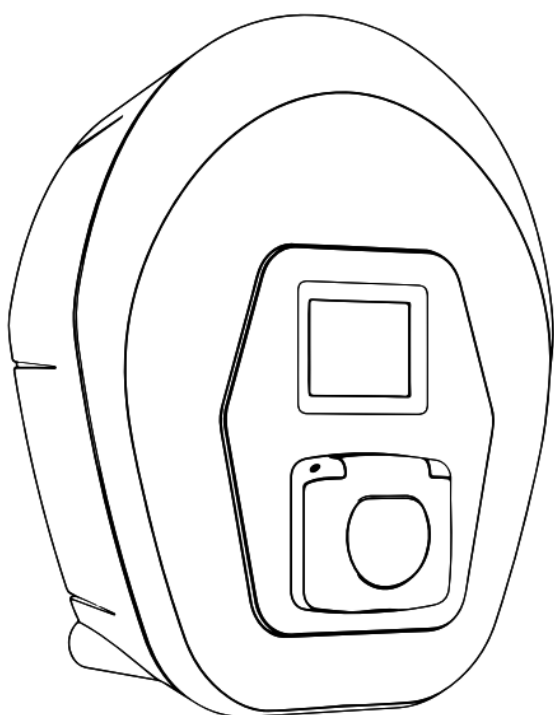
Quando si contatta il Servizio Clienti, si prega di avere a disposizione le seguenti informazioni:

- Nome del modello (vedi 1.1)
- Numero di serie (vedere 3.3)
- Nome dell'installatore e informazioni sulla fattura d'acquisto.

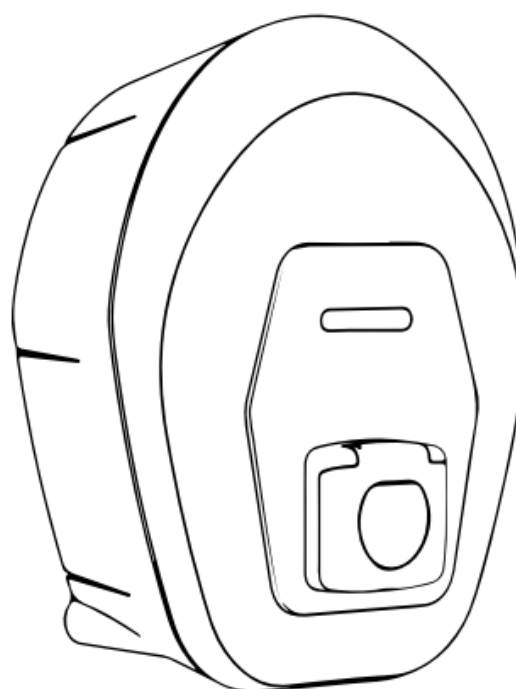


MANUAL DE INSTALACIÓN

ES



 **eProWallbox**



 **eProWallbox Move**



Para un uso seguro y adecuado,
siga estas instrucciones.
Consérvelas para futuras consultas.

Firmware V3.xx
Rev.06 - 04/2025
PKM.000019

ÍNDICE

1.	ACERCA DE ESTE DOCUMENTO	5
1.1.	Finalidad de este manual	5
1.2.	Destinatarios	5
1.3.	Historial de revisiones	5
1.4.	Documentación adicional.....	5
1.5.	Identificación del fabricante.....	5
1.6.	Condiciones de garantía y entrega, Exención de responsabilidad	6
1.6.1.	Declaración del fabricante sobre las pruebas de resistencia del aislamiento	6
1.7.	Exención de responsabilidad sobre la exactitud del contenido	7
1.8.	Glosario.....	8
2.	SEGURIDAD	9
2.1.	Seguridad de los productos	9
2.2.	Cualificaciones requeridas para el instalador	9
2.3.	Advertencias de seguridad importantes.....	10
2.4.	Mensajes de seguridad.....	11
2.4.1.	Símbolos y definiciones.....	12
2.5.	Equipos de protección individual (EPI).....	13
3.	INFORMACIÓN GENERAL.....	14
3.1.	eProWallbox y eProWallbox Move.....	14
3.2.	Campos de aplicación.....	14
3.3.	Etiqueta de identificación.....	15
3.4.	Dimensiones y características del producto.....	16
3.5.	Especificaciones técnicas.....	17
3.6.	Disposición de la placa base	18
3.7.	Esquema de conexión	19
3.8.	Aplicaciones.....	20
3.8.1.	Aplicación instaladora	20
3.8.2.	Aplicación de usuario.....	20
4.	INSTALACIÓN.....	21
4.1.	Flujo de trabajo de la instalación.....	21
4.2.	Requisitos de instalación s	22
4.2.1.	Conocer los criterios de seguridad	22
4.2.2.	Compruebe la compatibilidad del lugar de instalación	23
4.2.3.	Verifique la alimentación eléctrica.....	24
4.2.4.	Verificar los requisitos de la Red de Cargadores M/S	25
4.2.5.	Verificar el embalaje del producto.....	25

4.2.6.	Consiga las herramientas necesarias.....	26
4.3.	Protección eléctrica externa.....	27
4.4.	Montaje del cargador en la pared	28
4.5.	Conexión de la alimentación eléctrica al cargador	30
4.5.1.	Instalación monofásica.....	32
4.5.2.	Instalación trifásica	33
4.6.	Ajuste de la potencia máxima en el interruptor giratorio SW1	34
4.7.	Ajuste de los interruptores DIP h SW2	35
4.8.	Instalación de PowerMeter (DPM) y MIDcounter	36
4.8.1.	Instalación de PowerMeter (DPM)	37
4.8.2.	Instalación de MIDcounter	41
4.8.3.	Instalación combinada de PowerMeter (DPM) y MIDcounter	43
4.9.	Conexiones de comunicación Modbus RS485.....	44
4.9.1.	Conexión de PowerMeter (DPM).....	45
4.9.2.	Conexión del contador MID	48
4.9.3.	Conexión de PowerMeter (DPM) y del contador MID	50
4.9.4.	Conexión de cargadores en la red de cargadores M/S	53
4.10.	Conexión Ethernet	54
4.11.	Comprobación del sistema, cierre y encendido	55
4.11.1.	Pantallas de visualización eProWallbox	56
4.11.2.	Barra LED eProWallbox Move.....	60
5.	PUESTA EN SERVICIO	61
5.1.	Flujo de trabajo de la puesta en servicio	61
5.2.	Configuración de PowerMeter (DPM) y MIDcounter	62
5.2.1.	Configuración de los modelos Finder.....	62
5.2.2.	Configuración de los modelos Gavazzi	63
5.2.3.	Resumen de la configuración del Contador de Energía	64
5.3.	Iniciar PowerUp.....	65
5.4.	Configuración Wi-Fi.....	66
5.5.	Configuración de Ethernet	67
5.6.	Estado	68
5.7.	Parámetros del cargador.....	68
5.8.	Versión del firmware ver y actualizar	68
5.9.	Modo de funcionamiento.....	69
5.10.	Potencia máxima de carga	70
5.11.	Gestión de la energía	70
5.11.1.	Dynamic Power Management	71
5.11.2.	Principal/Satellite.....	72
5.11.3.	Configuración del sistema de gestión de la energía doméstica (servidor ModBus).	73

5.12.	MIDcounter.....	74
5.13.	Ajustes específicos por país	75
5.13.1.	Desequilibrio de carga (AT, CH, DE, NL)	75
5.13.2.	Retraso aleatorio (Reino Unido)	75
5.14.	Parámetros de Internet móvil.....	76
5.15.	Configuración del backend OCPP	76
5.16.	Diagnóstico	77
6.	SOLUCIÓN DE PROBLEMAS	78
7.	LIMPIEZA	82
8.	ELIMINACIÓN.....	83
8.1.	Eliminación de envases	83
8.2.	Eliminación de productos.....	83
9.	ASISTENCIA	84

1. ACERCA DE ESTE DOCUMENTO

1.1. Finalidad de este manual

Este manual de instalación es una guía para trabajar con seguridad y llevar a cabo la instalación de los siguientes modelos de Cargador:

eProWallbox Move (F2ME.EPROSEYYXXX)

Estación de carga de CA inteligente de hasta 22 kW, disponible en monofásica y trifásica. Con interfaz LED.

eProWallbox (F2ME.EPROSCYYXXX)

Estación de carga de CA inteligente de hasta 22 kW, disponible en monofásica y trifásica. Con interfaz de pantalla, lector Charging Pass (RFID) y conectividad total mediante 4G/LTE.

1.2. Destinatarios

Este documento está destinado a ser utilizado por un técnico cualificado en instalaciones eléctricas.

Véase 2.2 para conocer las cualificaciones necesarias para instalar el Cargador.

1.3. Historial de revisiones

Revisión	Fecha	Descripción
04	01/2023	Corresponde a la versión de firmware 2.9.x
05	10/2024	Corresponde a la versión de firmware 3.xx
06	04/2025	Corresponde a la versión de firmware 3.xx

→ Para comprobar y actualizar la versión del firmware, consulte 5.8.

1.4. Documentación adicional

Además de este manual, puede consultar y descargar la documentación de nuestros productos visitando el sitio web:

https://www.esolutions.free2move.com/eu/en_gb/information-hub/

Recursos de vídeo de eSolutions

<https://www.youtube.com/@free2moveesolutions6/videos>

1.5. Identificación del fabricante

El fabricante del Cargador es:

Free2move eSolutions S.p.A.

Piazzale Lodi, 3

20137 Milán - Italia

www.esolutions.free2move.com

1.6. Condiciones de garantía y entrega, Exención de responsabilidad

Los detalles de la garantía se describen en los Términos y Condiciones de Venta incluidos con la orden de compra de este producto y/o en el embalaje del producto.

Free2move eSolutions S.p.A. no asume ninguna responsabilidad por el incumplimiento de las instrucciones para una correcta instalación y no se hace responsable de los sistemas anteriores o posteriores al equipo suministrado.

Free2move eSolutions S.p.A. no se hace responsable de los defectos o fallos de funcionamiento derivados de: un uso inadecuado del Cargador; el deterioro debido al transporte o a las condiciones ambientales o la instalación por parte de personas no cualificadas.

AVISO

Cualquier modificación, manipulación o alteración del hardware o software no acordada expresamente con el fabricante anulará inmediatamente la garantía.

1.6.1. Declaración del fabricante sobre las pruebas de resistencia del aislamiento

Según nuestro leal saber y entender, por la presente declaramos que los productos eProWallbox y eProWallbox Move, en adelante "nuestros productos", **incluyen dispositivos de protección contra sobretensiones y otros circuitos que pueden resultar dañados por la verificación de la resistencia del aislamiento** descrita en la cláusula 6.4.3.3 de la norma IEC 60364-6.

Según las normativas nacionales de varios países (por ejemplo, el Art 86 del D. Lgs. 81/08 en Italia), puede ser necesario verificar periódicamente la instalación eléctrica, realizando una serie de pruebas entre las que se incluyen pruebas de resistencia de aislamiento. **Durante las pruebas, nuestros productos deben desconectarse antes de realizar la prueba de resistencia de aislamiento**, tal y como se menciona en IEC 60364-6 cláusula 6.4.3.3 y la normativa nacional derivada (por ejemplo, CEI 64-8 cláusula 6.4.3.3 en Italia).

Además, le informamos de que:

- Nuestros productos han sido evaluados según la norma IEC 61851-1:2017, resultando totalmente conformes.
- La norma IEC 61851-1:2017 incluye el ensayo de tipo de resistencia del aislamiento en el apartado 12.5.
- Nuestros productos se someten a la prueba de resistencia de aislamiento como prueba rutinaria según IEC 61439-1: 2020 cláusula 11.9 durante el proceso de fabricación.

Descargo de responsabilidad

Free2move eSolutions S.p.A. no se hace responsable de los fallos de aislamiento que puedan producirse en el circuito que alimenta nuestros productos.

Free2move eSolutions S.p.A. no se hace responsable de los daños que puedan sufrir nuestros productos sometidos a pruebas de resistencia de aislamiento sobre el terreno.

1.7. Exención de responsabilidad sobre la exactitud del contenido

Este documento ha sido cuidadosamente revisado por el fabricante Free2move eSolutions S.p.A., pero no se pueden descartar por completo los descuidos. Si observa algún error, le rogamos que informe a Free2move eSolutions S.p.A (véase la sección 9).

A excepción de las obligaciones contractuales explícitas, Free2move eSolutions S.p.A. no será responsable en ningún caso de las pérdidas o daños derivados del uso de este manual o de la instalación del equipo.

Free2move eSolutions S.p.A. no se hace responsable de los daños causados directa o indirectamente a personas, cosas o animales por el incumplimiento de todas las disposiciones establecidas en este Manual, así como de las advertencias relativas a la instalación y mantenimiento del Cargador.

Free2move eSolutions S.p.A. se reserva todos los derechos sobre este documento, el artículo y las ilustraciones que contiene. Queda prohibida la reproducción total o parcial, la divulgación a terceros o la utilización de su contenido sin el consentimiento previo por escrito de Free2move eSolutions S.p.A.

Cualquier información contenida en este manual puede ser modificada sin previo aviso y no representa ninguna obligación por parte del fabricante. Las imágenes de este manual son meramente ilustrativas y pueden diferir del producto suministrado.

Este documento fue redactado originalmente en inglés. En caso de incoherencias o dudas, solicite el documento original a Free2move eSolutions S.p.A.

1.8. Glosario

Plazo	Descripción
Notación CIDR	La notación CIDR se escribe como una dirección IP (véase IPv4) seguida de una barra (/) y el número de bits de la máscara de subred. Por ejemplo, 192.168.1.1/24 significa dirección 192.168.1.1 y máscara de subred 255.255.255.0.
CP	Piloto de control: Piloto para la señalización previa a la inserción de conectores EV de tipo 2.
CPMS	Sistema de gestión de puntos de recarga: Sistema de gestión que admite una gestión avanzada de la energía y una mayor seguridad.
DHCP	Protocolo de configuración dinámica de host: Protocolo de gestión de red utilizado para asignar automáticamente direcciones IP a los dispositivos de una red.
DNS	Sistema de nombres de dominio: Sistema gestionado por un servidor DNS que traduce nombres de dominio legibles por humanos en direcciones IP.
DPM	Dynamic Power Management
EMS	Sistema de gestión de la energía: Sistema que proporciona servicios de optimización energética. El EMS se conecta al Cargador mediante Modbus RS485 o Ethernet TCP/IP.
EV	Vehículo eléctrico
IP	Protocolo de Internet: El principal protocolo utilizado para mover paquetes de datos a través de Internet. Véase también IPv4.
IPv4	IPv4 se basa en una etiqueta de 32 bits asignada a cada dispositivo conectado a la red. Las direcciones IPv4 suelen escribirse en notación decimal con puntos, que consta de cuatro números separados por puntos (por ejemplo, 192.168.1.1).
M/S	Principal/Satélite
Modbus	Un popular protocolo de comunicación desarrollado para uso industrial que permite la comunicación entre dispositivos electrónicos.
Ocpp	Ocpp (Protocolo Abierto de Puntos de Carga): Norma abierta que permite la comunicación y la interoperabilidad entre las estaciones de recarga de VE y los sistemas de gestión (véase CPMS).
PP	Piloto de proximidad: Piloto para la señalización posterior a la inserción de conectores EV de tipo 2.
FV	Fotovoltaica
EPI	Equipos de protección individual
RCM	Monitor de corriente residual
RS485	Norma popular que define las características eléctricas de los controladores y receptores para su uso en sistemas de comunicaciones serie multipunto.
SOM	Módulo System On: El módulo enchufable que contiene los componentes informáticos centrales
TCP/IP	Protocolo de Control de Transmisión/Protocolo de Internet: Conjunto de protocolos de comunicación utilizados para conectar dispositivos de red en Internet. El TCP proporciona una transmisión fiable y el IP se encarga del direccionamiento y enrutamiento (véase IP).
RAEE	Residuos de aparatos eléctricos y electrónicos

2. SEGURIDAD

2.1. Seguridad de los productos

Este manual contiene importantes instrucciones de seguridad que deben seguirse durante la instalación y el mantenimiento del producto. Conserve este manual como referencia durante toda la vida útil del producto, ya que contiene información esencial para un uso seguro y eficaz.

Tenga en cuenta que, si el cargador se utiliza de un modo no especificado en este manual, la protección proporcionada por el cargador puede verse afectada.

La instalación debe ser realizada por personal cualificado (véase 2.2). Debe diseñarse e instalarse un sistema de suministro de electricidad dedicado y de última generación, y el sistema debe estar certificado de conformidad con la normativa local y el contrato de suministro de energía.

Como técnico de instalación y mantenimiento, usted está obligado a leer y comprender completamente este manual, y a seguir estrictamente las instrucciones que contiene. Free2move eSolutions S.p.A. no se hace responsable de los daños causados a personas y/o bienes, o al Cargador, si no se respetan las condiciones descritas en este documento.



ADVERTENCIA

La instalación debe realizarse de acuerdo con la normativa vigente en el país de instalación y respetando todas las normas de seguridad para la realización de trabajos eléctricos.

2.2. Cualificaciones requeridas para el instalador

El instalador debe estar cualificado, haber recibido la formación adecuada y demostrado las habilidades y conocimientos necesarios en la instalación, operación y mantenimiento de equipos de alimentación de vehículos eléctricos, de acuerdo con toda la normativa aplicable.

Los instaladores cualificados pueden identificar situaciones peligrosas inminentes y potenciales y actuar con seguridad.

Para la configuración de Ethernet TCP/IP son necesarios conocimientos básicos de redes IP.

2.3. Advertencias de seguridad importantes

Por su seguridad y la de los demás, es importante que lea y comprenda las siguientes advertencias de seguridad antes de instalar y utilizar el Cargador.



PELIGRO

Riesgo de descarga eléctrica e incendio. La instalación debe realizarse de acuerdo con la normativa vigente en el país de instalación y respetando todas las normas de seguridad para la realización de trabajos eléctricos.

- Antes de instalar o utilizar el Cargador, asegúrese de que ninguno de los componentes esté dañado. Los componentes dañados pueden provocar electrocución, cortocircuitos e incendios por sobrecalentamiento. No debe utilizarse un aparato con daños o defectos.
- Instale el Cargador lejos de bidones de gasolina o sustancias combustibles en general.
- Antes de instalar el Cargador, asegúrese de que la fuente de alimentación principal ha sido desconectada.
- El Cargador debe conectarse a una red eléctrica que cumpla las normas locales e internacionales, así como todos los requisitos técnicos indicados en este manual.
- Los niños u otras personas que no sepan calibrar los riesgos relacionados con la instalación y el uso del Cargador podrían sufrir lesiones graves o poner en peligro su vida.
- Las mascotas u otros animales deben mantenerse alejados del aparato y del material de embalaje.
- Los niños no deben jugar con el cargador, los accesorios ni el embalaje suministrado con el producto.
- Las únicas piezas que se pueden desmontar del Cargador son el marco externo y la Cover extraíble.
- El Cargador sólo puede utilizarse con una fuente de energía.
- Deben tomarse las precauciones necesarias para garantizar un funcionamiento seguro con dispositivos médicos implantables activos. Para determinar si el proceso de carga podría afectar negativamente al dispositivo médico, póngase en contacto con su fabricante.

2.4. Mensajes de seguridad

Para garantizar la seguridad y evitar daños, este manual contiene varios textos de precaución con instrucciones específicas. Estas instrucciones están resaltadas en cuadros de texto especiales y van acompañadas de un símbolo de peligro general (excepto AVISO y NOTA, que no están asociados a situaciones de peligro específicas). Estos textos de precaución se proporcionan para garantizar la seguridad del personal que realiza las operaciones descritas y para evitar daños al cargador y/o a la propiedad.



PELIGRO

El incumplimiento de las instrucciones provocará una situación de peligro inminente que, si no se evita, causará la muerte instantánea o lesiones graves o permanentes.



ADVERTENCIA

El incumplimiento de las instrucciones provocará una situación potencialmente peligrosa que, de no evitarse, podría causar la muerte o lesiones graves.



PRECAUCIÓN

El incumplimiento de la advertencia dará lugar a una situación potencialmente peligrosa que, si no se evita, podría causar daños menores en el Cargador.

AVISO

Proporciona instrucciones relativas al uso de la conducta necesaria para manejar las operaciones no asociadas a posibles lesiones físicas.

NOTA: Proporciona información adicional para complementar las instrucciones proporcionadas.

2.4.1. Símbolos y definiciones



Advertencia general



Debe consultar el manual original y la documentación adicional



Prohibición o restricciones



Aunque no están fabricados con materiales nocivos para la salud, los productos no deben eliminarse junto con los residuos domésticos, sino que deben recogerse por separado, ya que están fabricados con materiales que pueden reciclarse.



Peligro de tensión eléctrica





Peligro de superficies calientes

2.5. Equipos de protección individual (EPI)

Un equipo de protección individual (EPI) es cualquier equipo destinado a ser utilizado por los trabajadores para protegerse contra uno o varios riesgos que puedan amenazar su salud o su seguridad en el trabajo. Incluye cualquier dispositivo o accesorio diseñado para este fin.

Dado que todos los EPI enumerados en este manual están diseñados para proteger al personal contra riesgos para la salud y la seguridad, recomendamos el estricto cumplimiento de las instrucciones que figuran en las distintas secciones de este manual.

A continuación se enumeran los EPI que deben utilizarse para protegerse de los riesgos residuales asociados a las operaciones de instalación y mantenimiento descritas en este documento.

Símbolo	Significado
	Llevar guantes de protección
	Llevar calzado antiestático



ADVERTENCIA

Como técnico de instalación y mantenimiento, es su responsabilidad leer y comprender la normativa local y evaluar las condiciones ambientales del lugar de instalación para determinar si se requieren EPP adicionales.

3. INFORMACIÓN GENERAL

3.1. eProWallbox y eProWallbox Move

eProWallbox y **eProWallbox Move** son cargadores de CA para vehículos eléctricos e híbridos enchufables, ideales para aplicaciones semipúblicas y residenciales. Están disponibles en configuraciones trifásica o monofásica y están equipados con una toma de tipo 2.

Pueden cargar vehículos eléctricos de hasta 22 kW en trifásico o de hasta 7,4 kW en monofásico.

Incluyen opciones de conectividad como la monitorización remota a través del Sistema de Gestión de Puntos de Carga (CPMS). El modelo **eProWallbox** (véase 1.1) está equipado con una tarjeta SIM para conectarse a la red móvil y un lector de tarjetas RFID para autorizar la carga.

Varios cargadores pueden compartir el mismo punto de conexión de potencia y equilibrar dinámicamente la carga mediante una red de cargadores principal/satélite (M/S) basada en RS485.

Este documento describe cómo instalar el Cargador. Se proporciona una descripción de sus características para identificar los componentes clave y establecer los términos técnicos utilizados en este manual.

AVISO

Para obtener instrucciones sobre el uso del Cargador, consulte el Manual del usuario (véase 1.4)

3.2. Campos de aplicación

Los productos descritos en este documento son cargadores para vehículos eléctricos. La siguiente clasificación (según IEC 61851-1) identifica sus características:

- Potencia: conectada permanentemente a la red de alimentación eléctrica de CA
- Salida: Corriente alterna
- Condiciones ambientales: interior / exterior
- Instalación fija
- Protección contra descargas eléctricas: Clase I
- Clasificación EMC del entorno: Clase B
- Tipo de carga: Modo 3 según la norma IEC 61851-1
- Función opcional de ventilación no compatible

AVISO

Free2move eSolutions S.p.A. declina toda responsabilidad por daños de cualquier tipo derivados de un uso incorrecto o negligente del producto.

3.3. Etiqueta de identificación

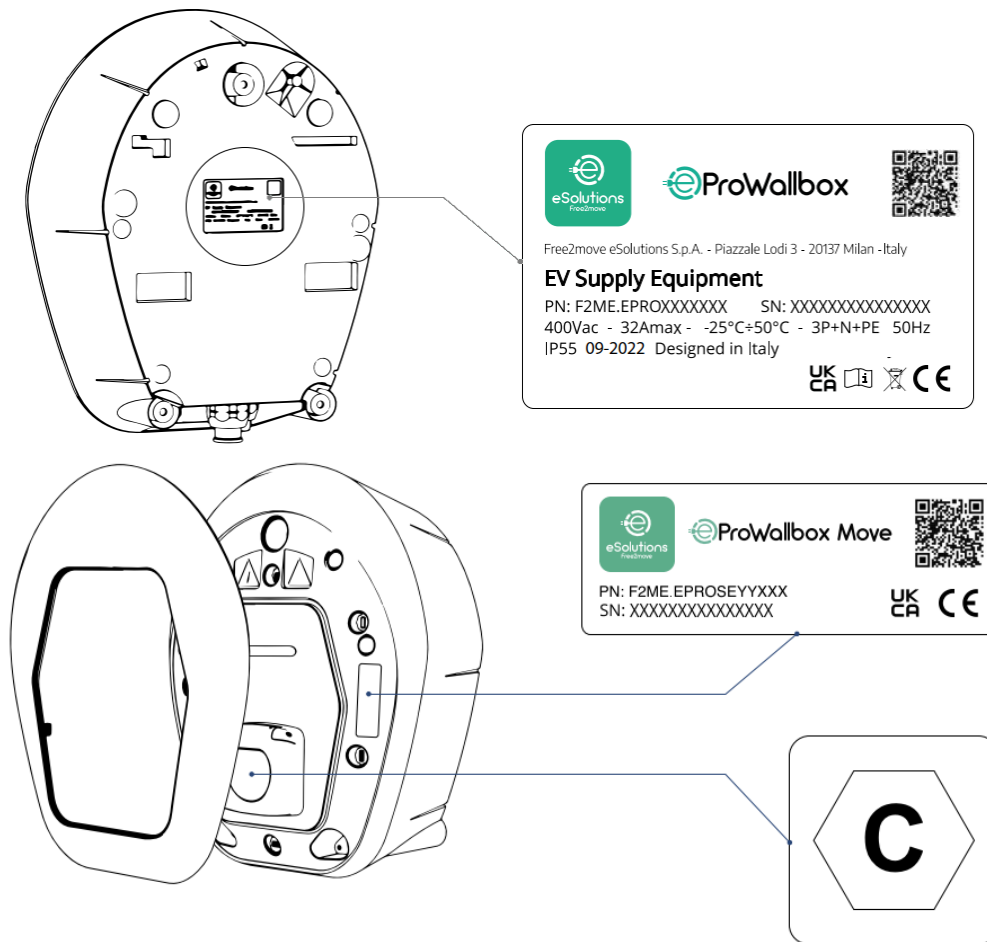
La información del producto en la etiqueta se muestra en la siguiente figura (modelo **eProWallbox Move** en el ejemplo).

NOTA: Los detalles pueden diferir de los mostrados en la figura, dependiendo de la versión del producto.


También se puede encontrar el número de pieza (PN) y el número de serie (SN):

- En el envase
- En **la aplicación de usuario** (véase 3.8), después de emparejar el cargador con el perfil del usuario
- En el instalador App **PowerUp** (véase 3.8), después de emparejar con el código QR

El código QR es el mismo en ambas etiquetas y se utiliza para completar la instalación en la App instaladora.

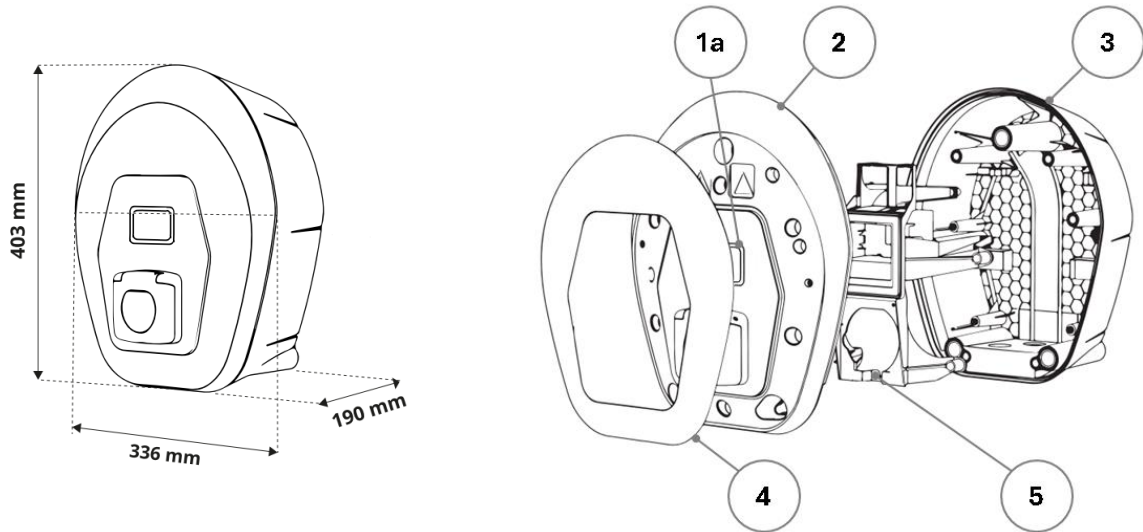


La etiqueta C indica el tipo de toma.

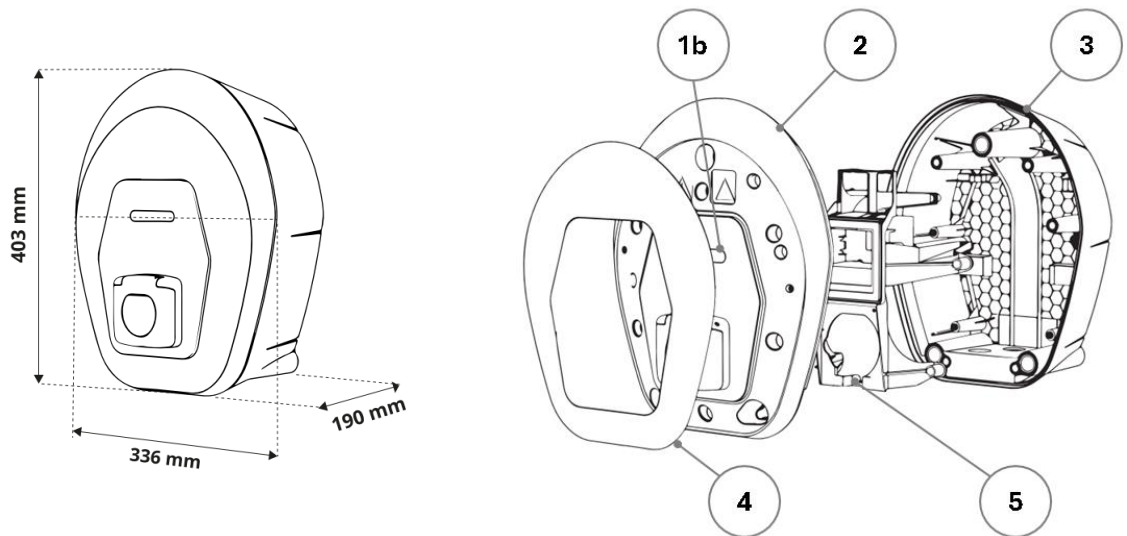
CA	EN 62196-2	TIPO 2	Enchufe y toma de corriente	≤ 480 V RMS	
-----------	-------------------	---------------	------------------------------------	--------------------	---

3.4. Dimensiones y características del producto

eProWallbox



eProWallbox Move



- 1a) Pantalla
- 1b) Barra de LED
- 2) Cover
- 3) Base
- 4) Cornisa externa
- 5) Base media

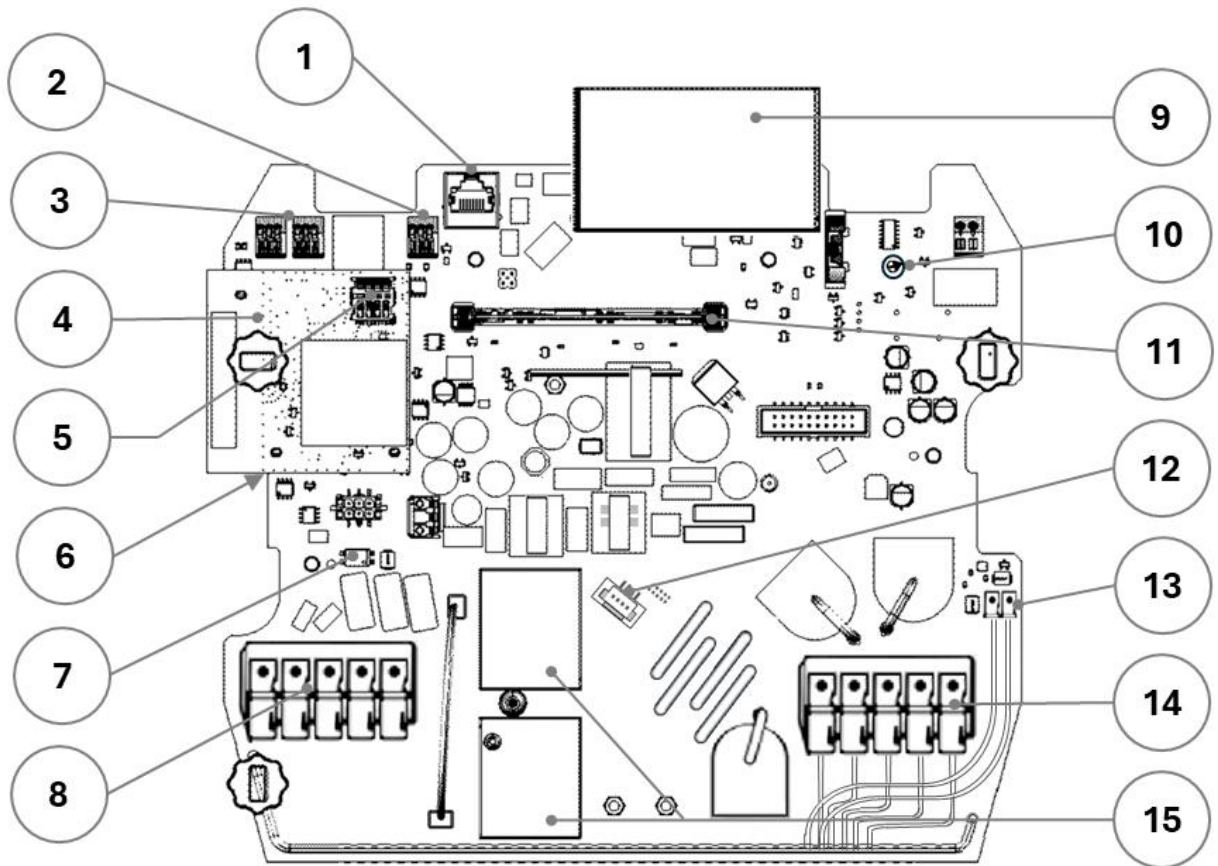
3.5. Especificaciones técnicas

	eProWallbox	eProWallbox Move
Modo de recarga	Modo 3 - caso B	
Conector estándar	IEC 62196-2 Tipo2	
Funciones de conexión	Toma con tapa y obturador interior	
Marcado	CE, UKCA, TUV	
Especificaciones generales	eProWallbox	eProWallbox Move
Dimensiones [mm]	403x336x190	
Peso [kg]	~ 3,8 (sin cable)	
Grado de protección	IP55 (IEC 60529)	
Índice de protección contra impactos	IK08 (IEC 62262)	
Vivienda	Plástico resistente a los rayos UV	
Colores estándar	Negro - RAL 9005 Blanco - RAL 9003	
Colores personalizados	Opcional	
Marca personalizada	Opcional	
Especificaciones eléctricas	eProWallbox	eProWallbox Move
Potencia [kW]	Hasta 7,4 monofásicos Hasta 22 trifásicos	
Tensión [V] / Frecuencia [Hz]	230 / 50-60 monofásico 400 / 50-60 trifásico	
Corriente [A]	Hasta 32	
Instalación eléctrica	3P+N+PE, 32A, 400 V / 50-60 Hz; P+N+PE, 32A, 230V / 50-60 Hz	
Sistema de alimentación de CA	TT, TN, IT	
Seguridad y funcionamiento	eProWallbox	eProWallbox Move
Temperatura de funcionamiento [°C]	-25/+50 (sin exposición directa a la luz solar)	
Protección contra sobrecalentamiento	Con reducción de potencia	
Resistencia a la humedad	< 95% (sin condensación)	
Resistencia al fuego de las viviendas	UL94 V-0 GWFI 960	
Categoría de sobretensión	OVC III	
Control de la corriente residual	Dispositivo RCM sensible a DC de 6 mA incluido para fugas de DC	
Altura máxima de instalación [m]	2000 a.s.l.	
Montaje	Pared o pedestal	
Conectividad y funciones	eProWallbox	eProWallbox Move
4G LTE (*)	Para OCPP	No disponible
Lector RFID (*)	Para autorización Charging Pass (RFID)	No disponible
HMI	Pantalla táctil TFT de 3,5 pulgadas	Barra LED RGB
RS485 Modbus RTU	2 puertos de comunicación con EMS y M/S Charger Network	
Bluetooth LE 5.0	Para aplicaciones móviles de usuario e instalador	
Wi-Fi	2,4 GHz	
Ethernet	100 Mbps para OCPP y Modbus TCP/IP	
Comunicación backend	OCPP 1.6j	
Actualización de firmware por aire	A través de OCPP	
Contador de energía (integrado)	MID interno no, MID externo opcional	
Gestión de la carga	Dynamic Power Management con PowerMeter (DPM) externo opcional. Gestión de carga estática para M/S Charger Network	
Detección de desequilibrio de fases de corriente	Configurable a través de la aplicación	
Conexión con el backend (CPMS)	CPMS por defecto o URL de terceros configurable	
Red de Cargadores M/S	Varios Cargadores comparten el mismo punto de conexión de Potencia y equilibran dinámicamente la carga.	
Compatibilidad con la energía solar fotovoltaica	Integración fotovoltaica mediante la función de carga solar en la aplicación	

(*) Sólo modelo **eProWallbox**, no disponible en el modelo **eProWallbox Move**.

3.6. Disposición de la placa base

La siguiente ilustración muestra los principales componentes de la placa base:



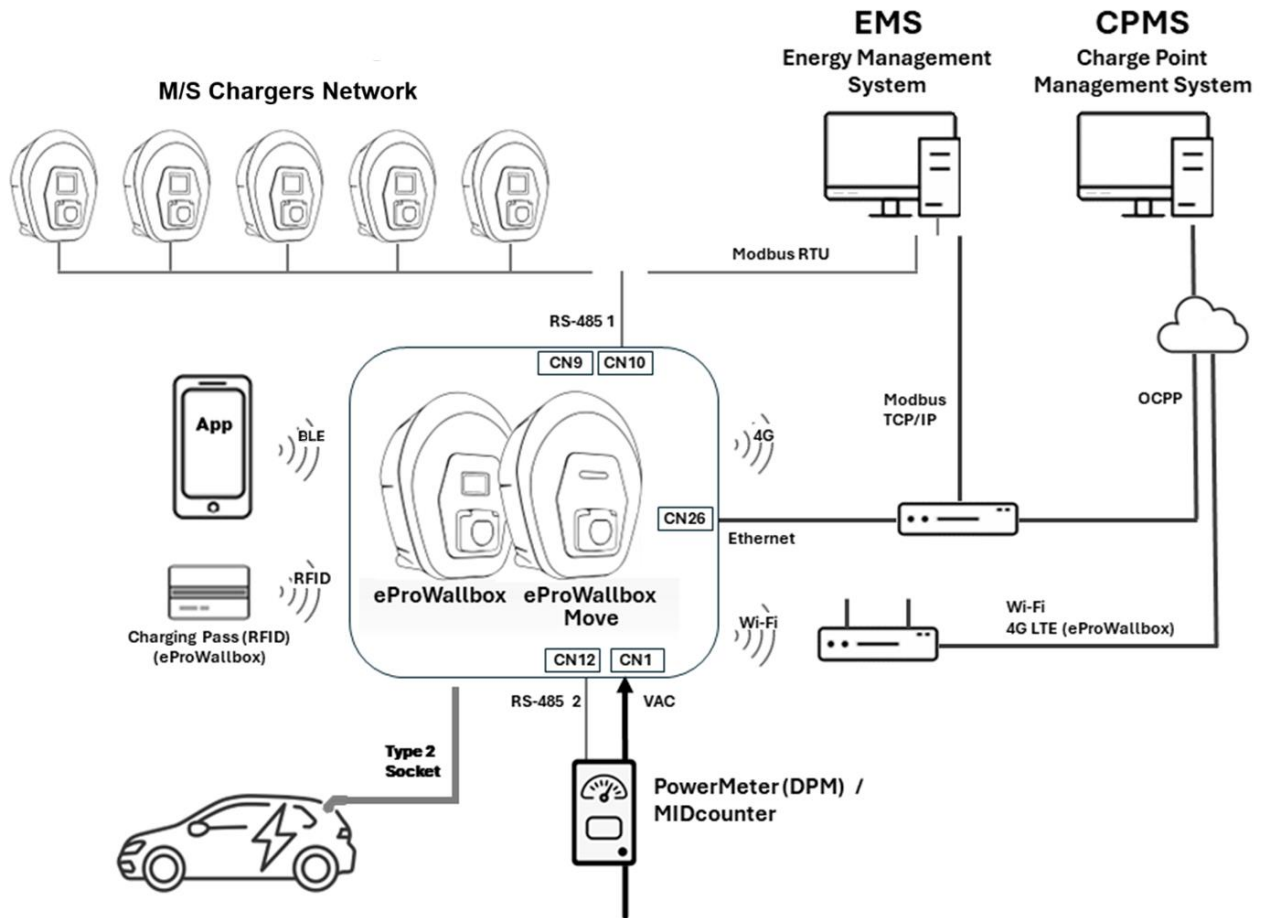
- 1) CN26 - Puerto Ethernet
- 2) CN12 - RS485 (sólo Contadores)
- 3) CN9-CN10 - RS485
- 4) Tarjeta 4G LTE (*)
- 5) Tarjeta SIM (*)
- 6) Wi-Fi y BLE (en la placa base, debajo de la placa 4G LTE)
- 7) SW2 - Interruptor DIP (puede no estar presente)
- 8) CN1 - Contactos de entrada de Potencia

- 9) Lector RFID (*)
- 10) SW1 - Rotary Switch
- 11) Módulo de Encendido del Sistema (SOM)
- 12) CN27 - Conector del monitor de corriente residual
- 13) PP/CP
- 14) Contactos de salida de Potencia
- 15) Relés

(*) Sólo modelo **eProWallbox**. No disponible en el modelo **eProWallbox Move**.

3.7. Esquema de conexión

La siguiente imagen muestra las conexiones del cargador.



3.8. Aplicaciones

La configuración técnica y el funcionamiento del Cargador se realiza a través de las siguientes Apps móviles, disponibles tanto en Google Play™ como en Apple Store®.

3.8.1. Aplicación instaladora

Descargar
PowerUp



3.8.2. Aplicación de usuario

eSolutions
Charging App



4. INSTALACIÓN

4.1. Flujo de trabajo de la instalación

Para instalar el Cargador, siga estos pasos. A continuación se describen detalladamente en las secciones siguientes.

- 1) Cumpla los requisitos de instalación, que incluyen varios pasos. Véase 4.2.
- 2) Compruebe/instale la protección eléctrica externa. Véase 4.3.
- 3) Monte el Cargador en la pared. Consulte 4.4.
- 4) Conecte la alimentación eléctrica. Véase 4.5.
- 5) Ajuste la Potencia máxima en el Rotary Switch SW1. Véase 4.6.
- 6) Ajuste el interruptor DIP SW2. Véase 4.7.
- 7) Si es necesario, instale PowerMeter (DPM) y MIDcounter. Véase 4.8.
- 8) En caso necesario, cablee las conexiones RS485. Véase 4.9.
- 9) Si es necesario, cablee la conexión Ethernet. Véase 4.10.
- 10) Realice una comprobación del sistema, ciérrelo y enciéndalo. Consulte 4.11.
- 11) Proceda con los pasos de puesta en servicio. Véase 5.1.

4.2. Requisitos de instalación s

4.2.1. Conocer los criterios de seguridad



PELIGRO
Antes de realizar cualquier trabajo, desconecte la alimentación eléctrica.



PELIGRO
El incumplimiento de las instrucciones de este manual puede causar graves daños tanto al producto como al instalador. En los casos más graves, las lesiones pueden ser mortales.
Lea atentamente este manual antes de instalar, encender y utilizar el producto.



PELIGRO
Compruebe si cumple los requisitos descritos en 2.2.



Normas y reglamentos aplicables

Antes de instalar el Cargador, debe cumplir las restricciones locales especificadas en la norma IEC 61851-1. También es su responsabilidad verificar que estas normas siguen vigentes y comprobar si existe alguna normativa local adicional que pueda restringir el uso de este producto en el país de instalación.



PELIGRO
La instalación debe cumplir los requisitos de la norma IEC 60364-7-722.

EPI necesarios para las tareas de instalación

	Llevar guantes de protección
	Llevar calzado antiestático

4.2.2. Compruebe la compatibilidad del lugar de instalación

Antes de proceder a la instalación, asegúrese de que:

- Asegúrese de que las condiciones ambientales (como temperatura, altitud y humedad) cumplen las especificaciones del producto (véase 3.5).
- La zona de instalación debe estar suficientemente ventilada para garantizar una dispersión adecuada del calor.
- Debe haber espacio suficiente para que el cable de carga pueda moverse correctamente. También debe permitir al usuario realizar el mantenimiento rutinario o no rutinario de forma segura.
- La zona de trabajo se considera una zona peligrosa y debe acordonarse adecuadamente para impedir el acceso de personas ajenas a la instalación.
- No instale el Cargador en lugares con lluvia, niebla o mucha humedad.

NOTA: Es necesario tener en cuenta el espacio necesario para aparcar el vehículo eléctrico que se va a cargar.

El Cargador no debe instalarse en lugares:

- Caracterizado por atmósferas potencialmente explosivas (según directiva 2014/24/UE)
- Se utiliza para las vías de evacuación
- Donde puedan caer objetos encima (por ejemplo, escaleras suspendidas o neumáticos de coche) o donde sea probable que se golpee y sufra daños (por ejemplo, cerca de una puerta o en áreas de servicio de vehículos).
- Donde exista riesgo de chorros de agua a presión (por ejemplo, lavaderos de coches, lavadoras eléctricas o mangueras de jardín).



PRECAUCIÓN

Asegúrese de que no haya fuentes de calor, sustancias inflamables o fuentes electromagnéticas en la zona de instalación.

AVISO

Si necesita la conectividad del Cargador, asegúrese de que la zona elegida tiene cobertura Wi-Fi.



PRECAUCIÓN

El Cargador está diseñado para soportar la luz solar directa y las inclemencias meteorológicas. No obstante, para prolongar su vida útil y limitar la reducción térmica, se recomienda protegerlo de la luz solar directa y de la lluvia con un toldo.

A la hora de elegir la posición para instalar el Cargador, deben seguirse las siguientes indicaciones:

- Evitar las paredes que no sean estables y seguras
- Evite las paredes de material inflamable o cubiertas de material inflamable (por ejemplo, madera, moqueta, etc.)
- Evitar la exposición directa a la lluvia para que las inclemencias meteorológicas no causen ningún deterioro.
- Asegúrese de que el cargador está suficientemente ventilado: no lo instale en un hueco ni en un armario.
- Evite la acumulación de calor: mantenga el cargador alejado de fuentes de calor.
- Evitar la exposición a infiltraciones de agua
- Evitar saltos excesivos de temperatura

4.2.3. Verifique la alimentación eléctrica



ADVERTENCIA

El diseño de todo el sistema eléctrico al que se va a conectar el Cargador debe ser determinado en primer lugar por un profesional cualificado.

Los datos eléctricos del Cargador, que deben consultarse para dimensionar correctamente el sistema de alimentación, figuran en la etiqueta de identificación (ver 3.3).



ADVERTENCIA

No instale el Cargador con las manos mojadas.



ADVERTENCIA

No dirija en ningún caso un chorro de agua hacia el Cargador de baterías.

4.2.4. Verificar los requisitos de la Red de Cargadores M/S

La M/S (Main/Satellite) Charger Network (véase también 5.11.2) permite que un Cargador Principal coordine hasta cinco cargadores satélite a través de un enlace de comunicación RS485. La coordinación garantiza un funcionamiento equilibrado distribuyendo dinámicamente la potencia disponible de forma uniforme entre los cargadores conectados, basándose en la capacidad de potencia máxima en el punto de conexión común.

Al dimensionar el grupo de cargadores en red, **asegúrese de disponer de la potencia mínima en el punto de conexión**, como se muestra a continuación:

- Para una instalación monofásica, la potencia mínima necesaria es de 2 kW por cargador conectado a la red.
- Para una instalación trifásica, la potencia mínima necesaria es de 6 kW por cargador conectado a la red.

Ejemplo: Para un grupo de 2 cargadores monofásicos, se requiere un mínimo de 4 kW.

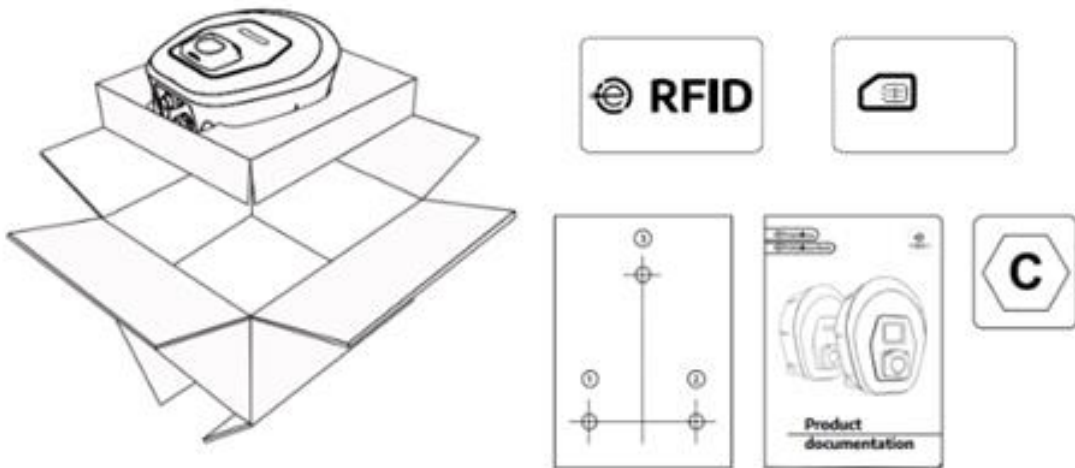
4.2.5. Verificar el embalaje del producto

Compruebe que el embalaje está intacto y no presenta daños evidentes. Si el Cargador y/o su embalaje están dañados, detenga el proceso de instalación y solicite asistencia (consulte el apartado 9).

El paquete incluye los siguientes elementos:

- 1 Charging Pass (RFID) (sólo modelo **eProWallbox**, P/N F2ME.EPROSCYXXX).
- 1 Tarjeta SIM instalada (sólo modelo **eProWallbox**, P/N F2ME.EPROSCYXXX).
- 1 plantilla de perforación para la instalación
- Documentación del producto

NOTA: El paquete del modelo **eProWallbox** Move (P/N F2ME.EPROSEYXXX) no incluye el Charging Pass (RFID) ni la tarjeta SIM.

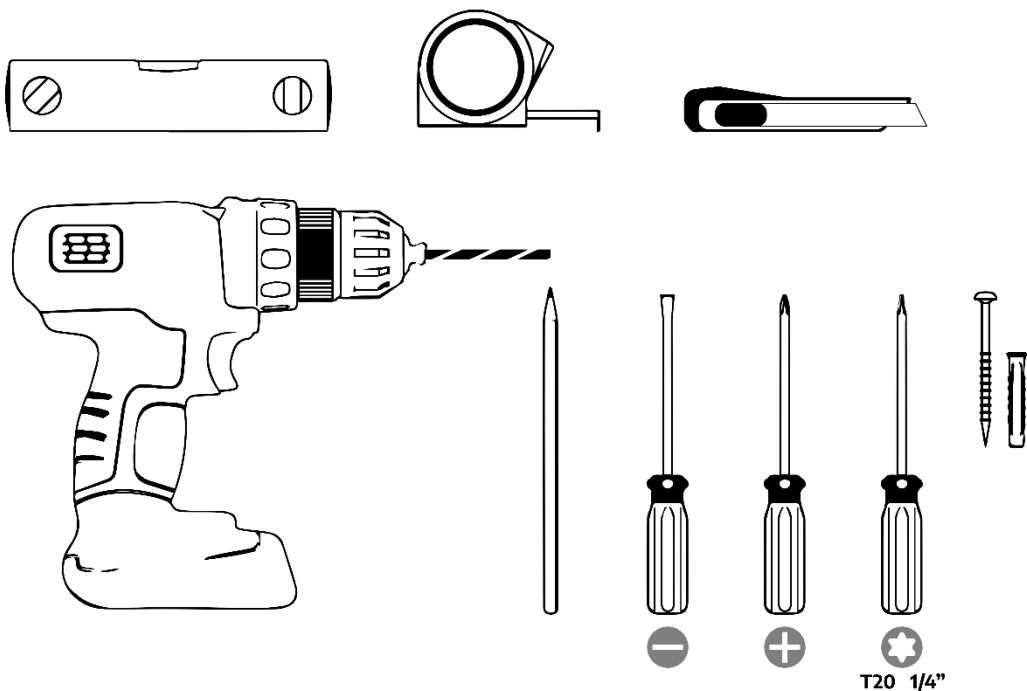


4.2.6. Consiga las herramientas necesarias

La lista incluye:

- Destornillador Torx T20 1/4".
- Destornillador Phillips (longitud mínima =160mm)
- Destornillador ranurado (cabeza < 2 mm)
- 3x tacos de pared $\varnothing 10 \times 50 \text{mm}$ con tornillos
- Taladro con broca 3/8" $\varnothing 10 \text{ mm}$
- Cortador
- Martillo
- Lápiz
- Nivel de burbuja
- Cinta métrica
- Cinta adhesiva

NOTA: El Cargador se suministra con 2 racores tubo-caja que puede sustituir por prensaestopas de $\varnothing 25 \text{mm}$ (no incluidos en el suministro).



ADVERTENCIA

No utilice un destornillador eléctrico para montar el cargador o para fijarlo a la pared. Free2move eSolutions S.p.A. declina toda responsabilidad por daños a personas o cosas derivados del uso de tales herramientas.

4.3. Protección eléctrica externa

El Cargador está equipado con un dispositivo de detección de corriente continua de 6 mA DC. De acuerdo con la norma IEC 61851-1, el cargador debe protegerse en sentido ascendente mediante dispositivos de protección eléctrica externos, tal como se indica en las siguientes directrices. El cargador no está equipado con un sistema de detección de fallos PEN.

Interruptor automático en miniatura (MCB): 1P/P3+N, curva C recomendada, capacidad nominal de cortocircuito de 6kA como mínimo. Corriente nominal según la configuración de la alimentación eléctrica y del cargador con un máximo de 40 A; por ejemplo, I_{max} 32 A utilizará un MCB C40. En caso de cortocircuito, el valor de I_{2t} en el conector del vehículo de la estación de carga no debe superar los 75000 A²s.

Los dispositivos de protección contra sobrecorrientes deben cumplir las normas IEC 60947-2, IEC 60947-6-2, IEC 61009-1 o las partes pertinentes de las series IEC 60898 o IEC 60269.

Dispositivo de corriente residual (RCD): 1P/P3+N, de acuerdo con la normativa local, como mínimo de tipo A. Sólo del tipo de rearme manual. El RCD debe tener una corriente residual de funcionamiento no superior a 30 mA y debe cumplir una de las normas siguientes: IEC 61008-1, IEC 61009-1, IEC 60947-2 e IEC 62423. El RCD debe desconectar todos los conductores en tensión.

Dispositivo de protección contra sobretensiones (SPD): Para evitar posibles daños en el vehículo eléctrico causados por sobretensión, recomendamos encarecidamente proteger el circuito de alimentación eléctrica del punto de conexión con un SPD.

Dispositivo de supervisión del aislamiento (IMD): Si se instala en sistemas de tipo IT, debe instalarse un dispositivo de supervisión del aislamiento (IMD) que cumpla la norma CEI EN 61557-8.



ADVERTENCIA.

Para los sistemas de tipo TN, pueden existir normativas locales específicas adicionales relativas a la seguridad del sistema y a la protección contra fallos que usted, como instalador, debe conocer y aplicar.

4.4. Montaje del cargador en la pared



PRECAUCIÓN

Al fijar el Cargador a la pared deben respetarse las normas de construcción nacionales e internacionales establecidas en las normas IEC 60364-1 e IEC 60364-5-52. La correcta colocación de la estación de carga es importante para garantizar su correcto funcionamiento.

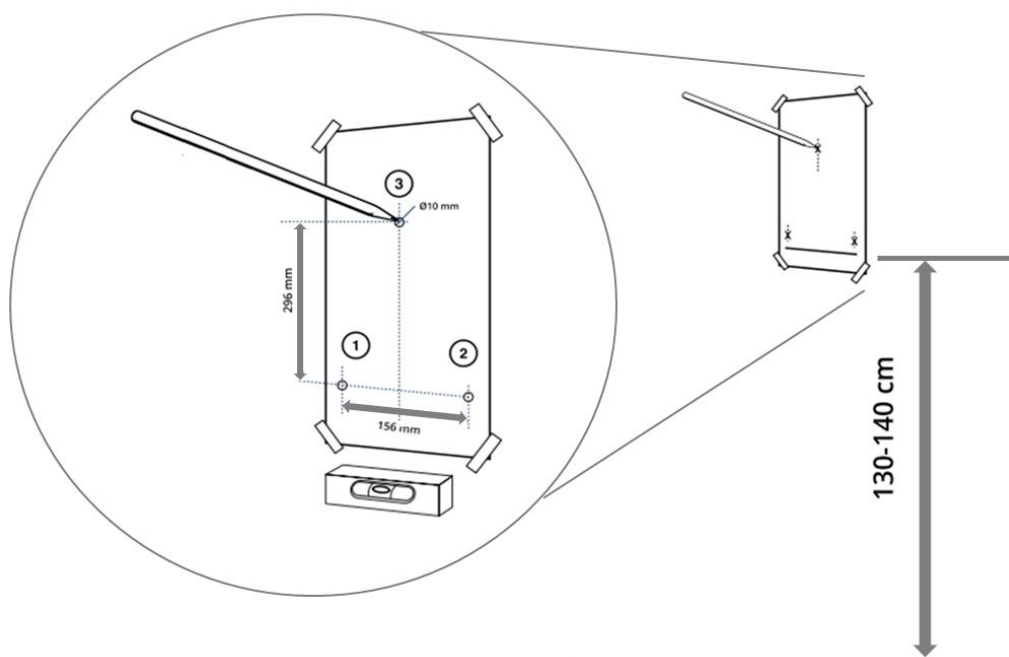
Para fijar el cuerpo principal a la pared, se necesitan **3 tacos (Ø 10x50 mm)**. Para la instalación en paredes de materiales diferentes (por ejemplo, cartón-yeso), se necesitan tacos específicos que solo deben instalarse tras comprobar la carga máxima admisible.

Antes de la instalación, debe determinar la posición y las distancias con respecto a las paredes:

- Recomendamos mantener una **distancia de 50-60 cm de otras paredes** para facilitar la instalación y el mantenimiento.
- También recomendamos instalar el Cargador **a una altura de 130-140 cm del suelo**.
- Para facilitar la instalación y el montaje en la pared, **utilice la plantilla suministrada** para taladrar los 3 orificios de fijación. La plantilla también debe utilizarse para nivelar con un nivel de burbuja.

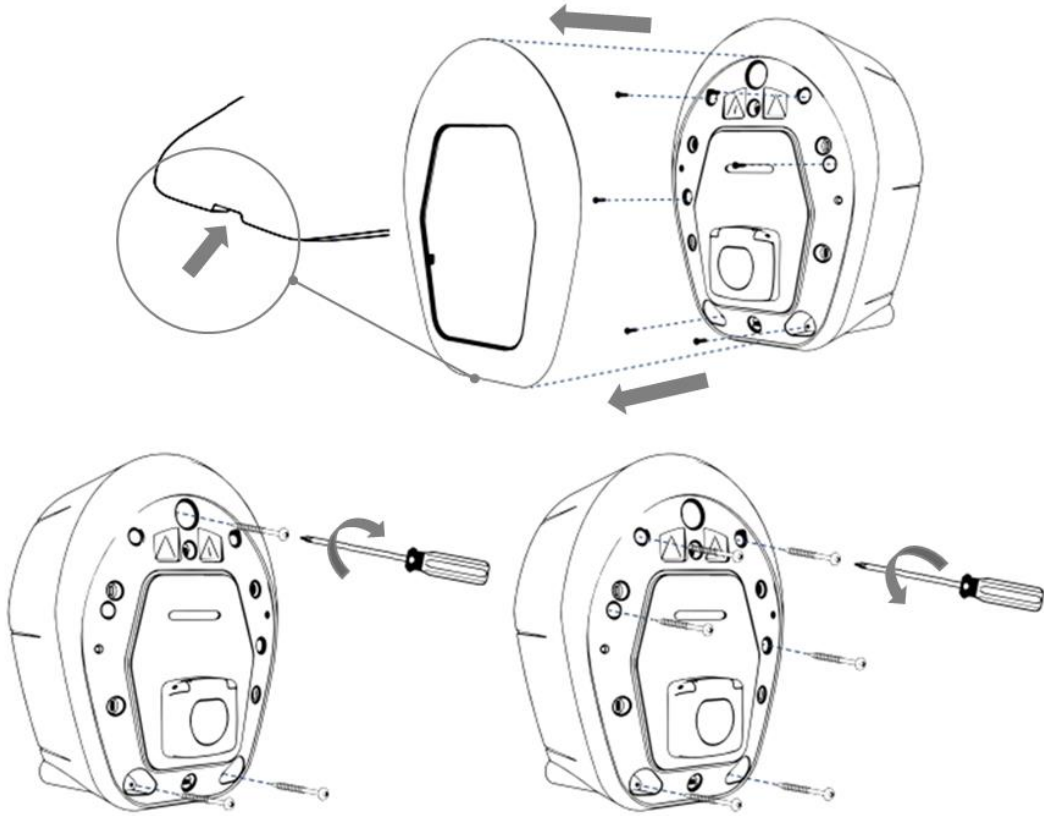
Procedimiento de montaje

- 1) Con un taladro, haga 3 agujeros de Ø10 mm donde están marcados los puntos de fijación. La profundidad mínima de los orificios debe ser de 60 mm. A continuación, elimine los restos de taladro de los orificios.
- 2) Introduzca los tacos de fijación en los orificios con un martillo.



- 3) Retire la Cornisa externa del Cargador utilizando la ranura de la parte inferior.

- 4) Fije el Cargador introduciendo los 3 tornillos en los tacos de pared con el destornillador de estrella.
- 5) Para proceder a la instalación eléctrica, saque la Cover retirando los 6 tornillos con el destornillador Torx T20 ¼".

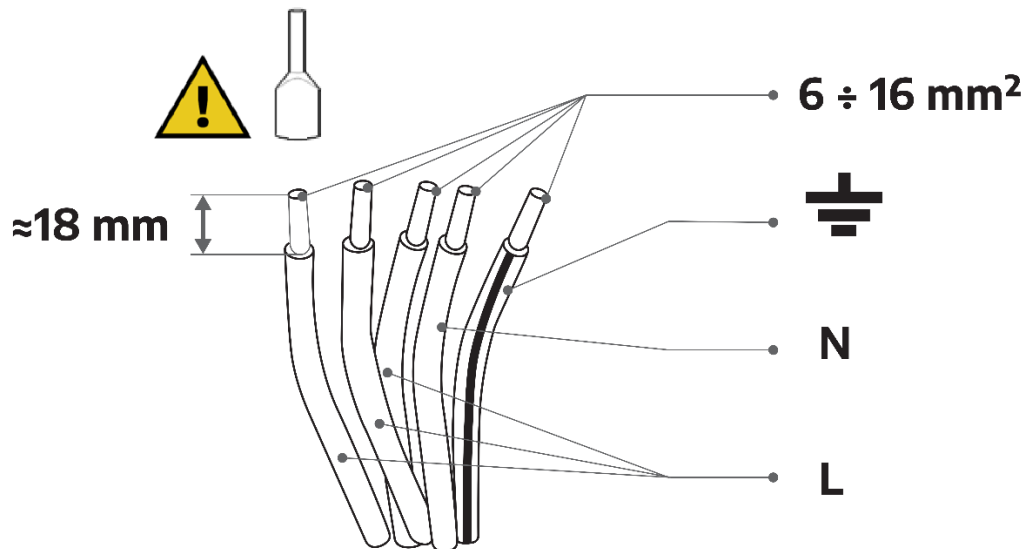


4.5. Conexión de la alimentación eléctrica al cargador

El Cargador debe alimentarse con cables del tamaño adecuado. Antes de proceder al cableado, asegúrese de que los cables tienen las dimensiones adecuadas y de que no se supera el radio de curvatura máximo permitido.

Los datos eléctricos del Cargador, que deben consultarse para dimensionar correctamente el sistema de alimentación eléctrica, figuran en la etiqueta de identificación de la unidad. (véase 3.3).

Siga estas recomendaciones:



- **Riesgo de daños graves:** añada siempre punteras de 18 mm en los cables de alimentación eléctrica.
- Tamaño mínimo sugerido del conductor: 6 mm²; el conector de entrada también puede aceptar 4 mm²
- Tamaño máximo del conductor: 16 mm²
- Longitud mínima de pelado para cables de alimentación eléctrica: 18 mm



PELIGRO

Utilice siempre puntas de cable eléctricas para garantizar una conexión óptima. Compruebe cuidadosamente la conexión antes de encender el Cargador.

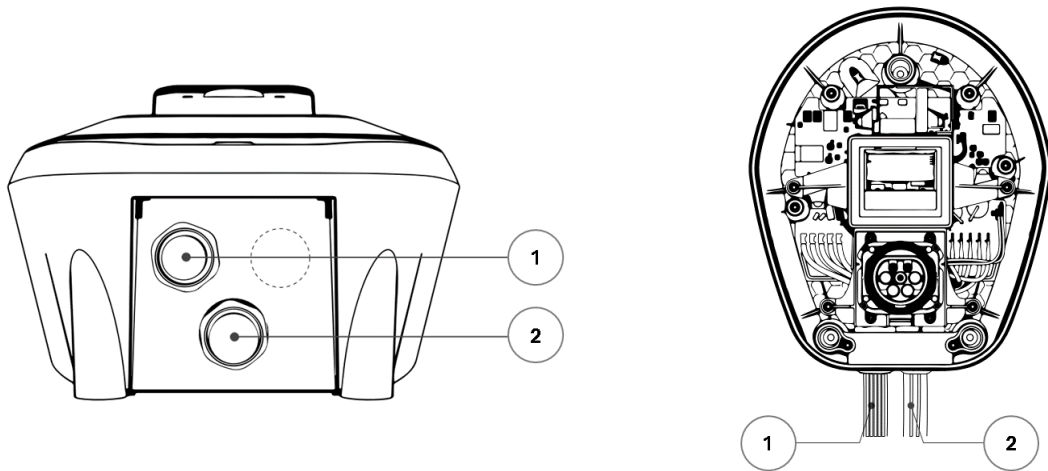
De lo contrario, se corre el grave riesgo de dañar el producto, los bienes o provocar la muerte de personas o animales.



PELIGRO

La Potencia del Cargador debe permanecer apagada durante este paso.

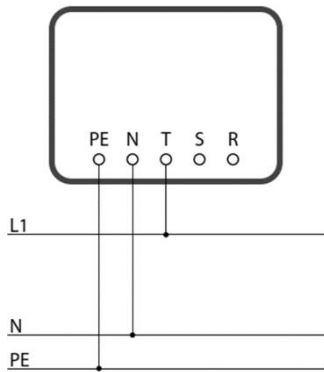
NOTA: La parte inferior del cuerpo del Cargador tiene 2 puntos de entrada de cables que están cerrados con tapas protectoras para evitar que entre polvo o humedad durante el envío.



- 1) Cables de alimentación eléctrica
- 2) Cables de comunicación

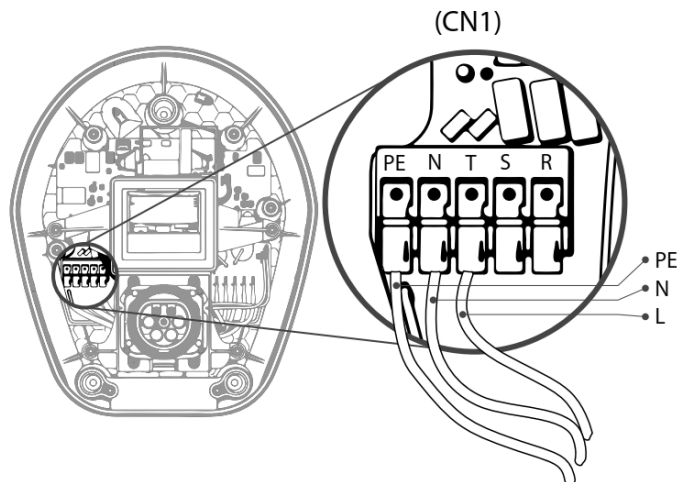
4.5.1. Instalación monofásica

Los siguientes diagramas muestran la conexión eléctrica del Cargador en sistemas monofásicos.



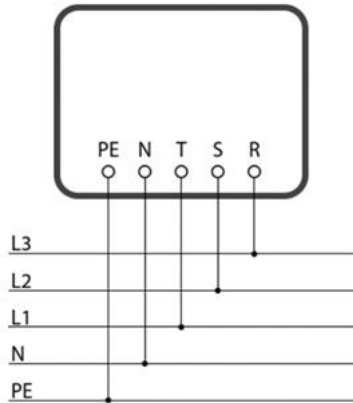
Procedimiento de instalación

- 1) Retire la tapa protectora de la entrada de los cables de alimentación eléctrica e introduzca la funda ondulada de Ø 25 mm.
- 2) Apriete la unión caja-cable.
- 3) Inserte el cable de alimentación eléctrica y conéctelo al bloque de terminales de alimentación eléctrica CN1:
 - Cable de tierra a PE
 - Cable neutro a N
 - Cable de fase a T



4.5.2. Instalación trifásica

Los siguientes diagramas muestran la conexión eléctrica del Cargador en sistemas trifásicos.



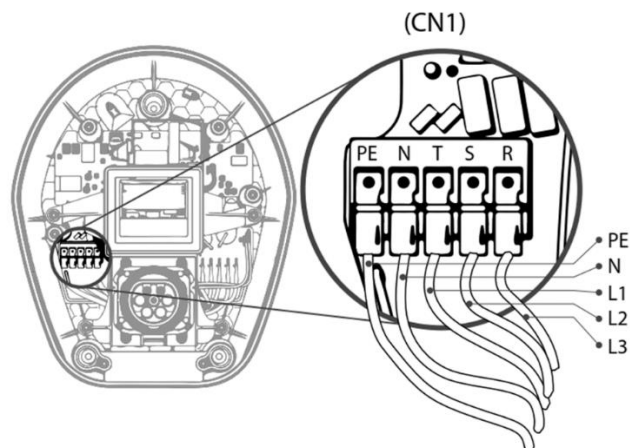
PRECAUCIÓN

Para instalaciones en sistemas trifásicos, asegúrese de que las cargas eléctricas del sistema (incluido el cargador) estén bien equilibradas entre las fases.

En caso de instalaciones múltiples, se recomienda repartir la carga entre todas las fases disponibles.

Procedimiento de instalación

- 1) Retire la tapa protectora de la entrada de los cables de alimentación eléctrica e introduzca la funda ondulada de \varnothing 25 mm.
- 2) Apriete la unión caja-cable.
- 3) Inserte el cable de alimentación eléctrica y conéctelo al bloque de terminales de alimentación CN1:
 - Cable de tierra a PE
 - Cable neutro a N
 - Cables de fase a T, S, R

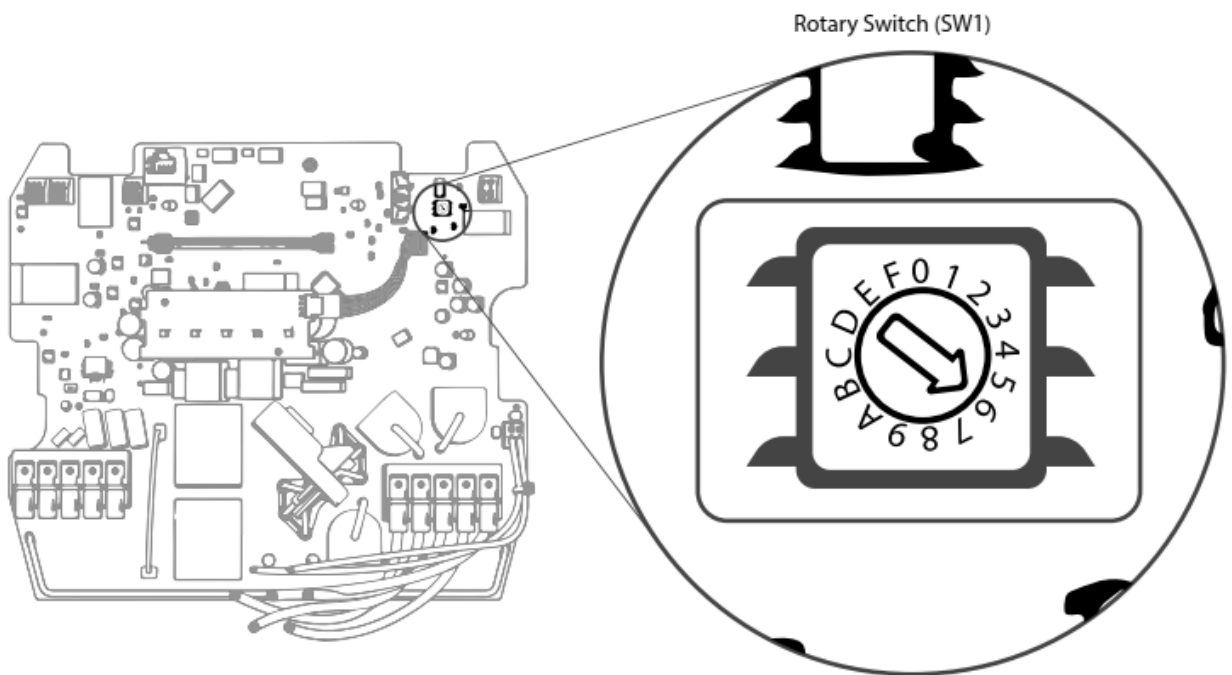


4.6. Ajuste de la potencia máxima en el interruptor giratorio SW1

En el Rotary Switch SW1 (véase 3.6), configure la potencia máxima en función del dimensionamiento de la instalación eléctrica y del tipo de alimentación (monofásica o trifásica). Consulte la tabla siguiente.

AVISO

La Potencia del Cargador debe permanecer apagada durante este paso. Si se cambia la posición del Rotary Switch con la alimentación conectada, desconecte y vuelva a conectar la alimentación para que el cambio surta efecto.

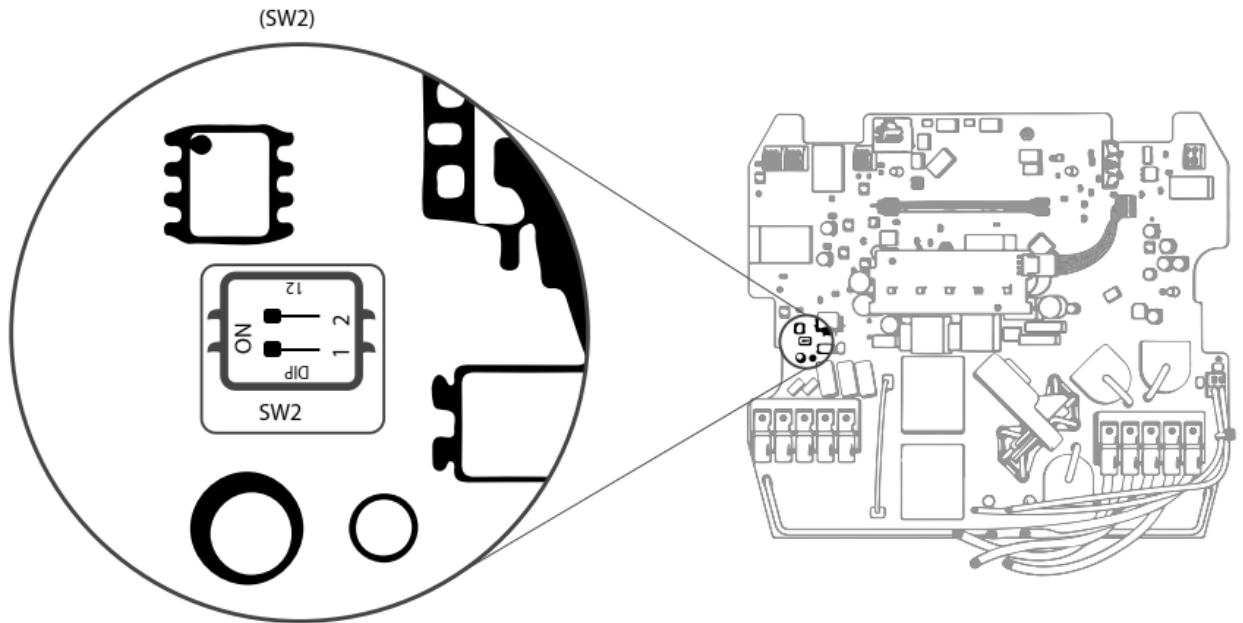


Ajuste del Rotary Switch	0	1	2	3	4	5	6	7	8	9	A	B	C	D	E	F
Monofásico [kW]	3.7	4.6	5.1	5.8	6.0	7.4	-	-	-	-	-	-	-	-	-	-
Trifásico [kW]	-	-	-	-	-	-	4.3	6.9	9.0	11.0	13.1	15.2	17.3	19.3	20.7	22.0

4.7. Ajuste de los interruptores DIP h SW2

El interruptor DIP SW2 está presente en algunas versiones del producto.

Si está presente, debe retirar la película de plástico del interruptor DIP SW2 y mover ambos contactos a la posición ON.



4.8. Instalación de PowerMeter (DPM) y MIDcounter

Esta sección describe cómo instalar:

- **PowerMeter (DPM):** Contador de energía que permite el Dynamic Power Management (DPM), una función inteligente que permite cargar un VE utilizando únicamente la electricidad disponible en ese momento en casa, modulando la potencia de carga y evitando los desagradables apagones.
- **MIDcounter:** Un contador de energía certificado que controla la cantidad de energía consumida por el cargador durante cada sesión de carga.

Los dispositivos compatibles son los siguientes.

Dispositivos de medición directa que pueden utilizarse como PowerMeter (DPM) o MIDcounter:

- Gavazzi, monofásico, directo, 32 A (EM111DINAV81XS1PFB)
- Finder, monofásico, directo, 40 A (7M2482300210)
- Gavazzi, 1 fase, Directo 100 A (EM112DINAV01XS1PFB)
- Gavazzi, trifásico, directo, 65 A (EM340DINAV23XS1PFB)
- Finder, trifásico, directo, 80 A (7M3884000212)

Dispositivos de medición indirecta que sólo pueden utilizarse como PowerMeter (DPM):

- Gavazzi, monofásico, indirecto (EM111DINAV51XS1X) con 1x TC 100 A (CTA5X100A5A)
- Gavazzi, monofásico, indirecto (EM111DINMV51XS1X) con 1x CTV 60 A (CTV1X60A333MV)
- Gavazzi, trifásico, indirecto (EM330DINAV53HS1X) con 3 TC 150 A (CTA5X150A5A30)



ADVERTENCIA

No intente instalar dispositivos eléctricos a menos que esté cualificado como electricista profesional (véase 2.2). De lo contrario, podría causar graves peligros y daños a su persona y a las personas, bienes o animales que se encuentren cerca.

AVISO

Para obtener información adicional sobre la instalación, consulte el manual de instalación del fabricante suministrado con el Contador.

4.8.1. Instalación de PowerMeter (DPM)

Si se utiliza PowerMeter y se están utilizando otros electrodomésticos durante la sesión de carga, el sistema puede modular la potencia de carga del coche y suspender temporalmente la sesión de carga. En cuanto se apaguen los demás electrodomésticos, se reanudará la sesión.

La lógica inteligente DPM funciona tanto en instalaciones trifásicas como monofásicas.



ADVERTENCIA

Quando se instale en sistemas trifásicos, asegúrese de que las cargas eléctricas (incluido el cargador) estén bien equilibradas entre las fases del sistema eléctrico.



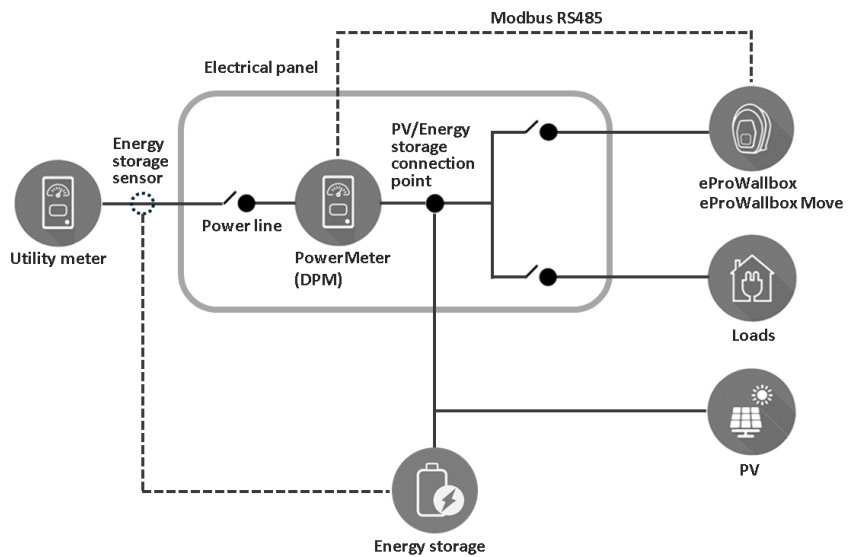
ADVERTENCIA

La Potencia del Cargador debe permanecer apagada durante este paso.

Instalación de la medición directa PowerMeter (DPM)

Coloque el PowerMeter (DPM) después del contador de servicios.

El PowerMeter (DPM) debe medir todas las cargas eléctricas, incluido el cargador.

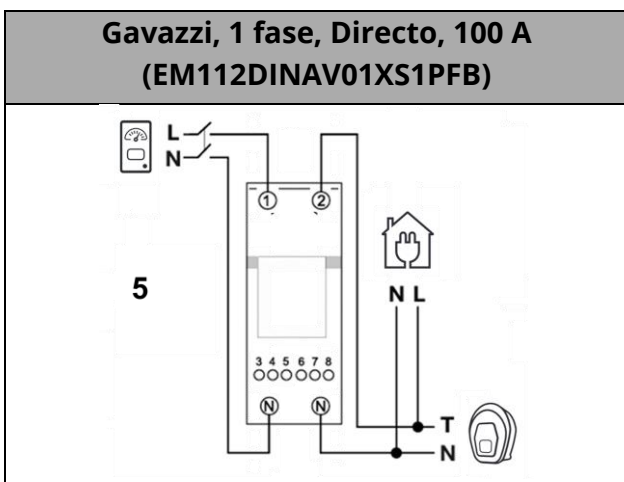
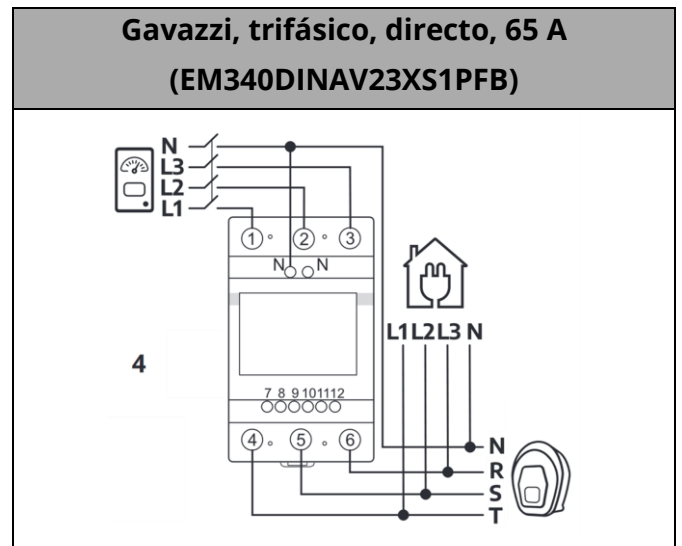
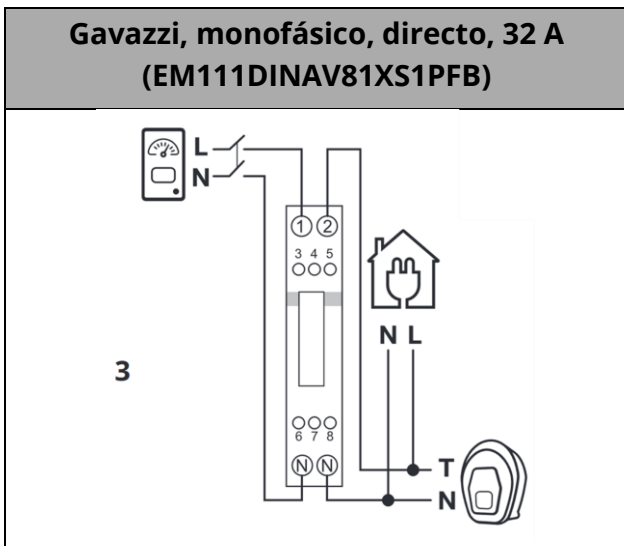
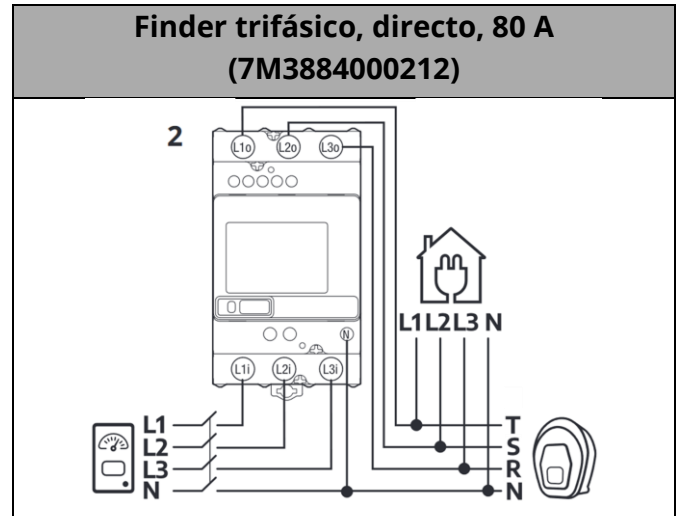
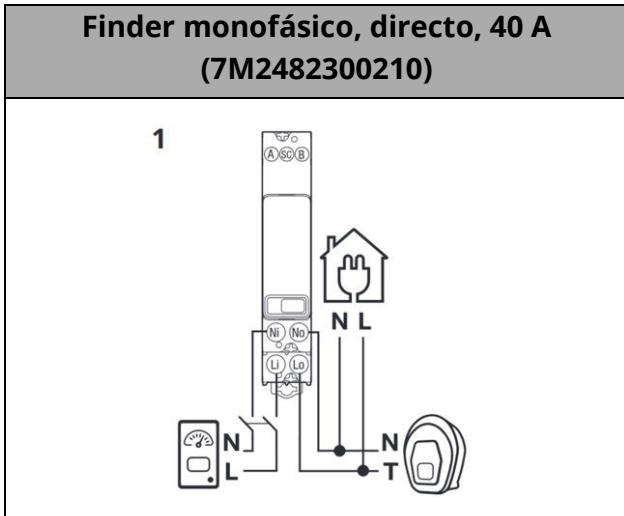


AVISO

1) Si hay FV, el Contador de energía debe colocarse entre el Contador de servicios y el punto de conexión FV.

2) Si hay un almacenamiento de energía en el hogar, el PowerMeter debe colocarse entre el punto de conexión del almacenamiento de energía y el sensor de medición del almacenamiento de energía.

Consulte los siguientes diagramas para la conexión eléctrica monofásica y trifásica del PowerMeter directo (Finder y Gavazzi).

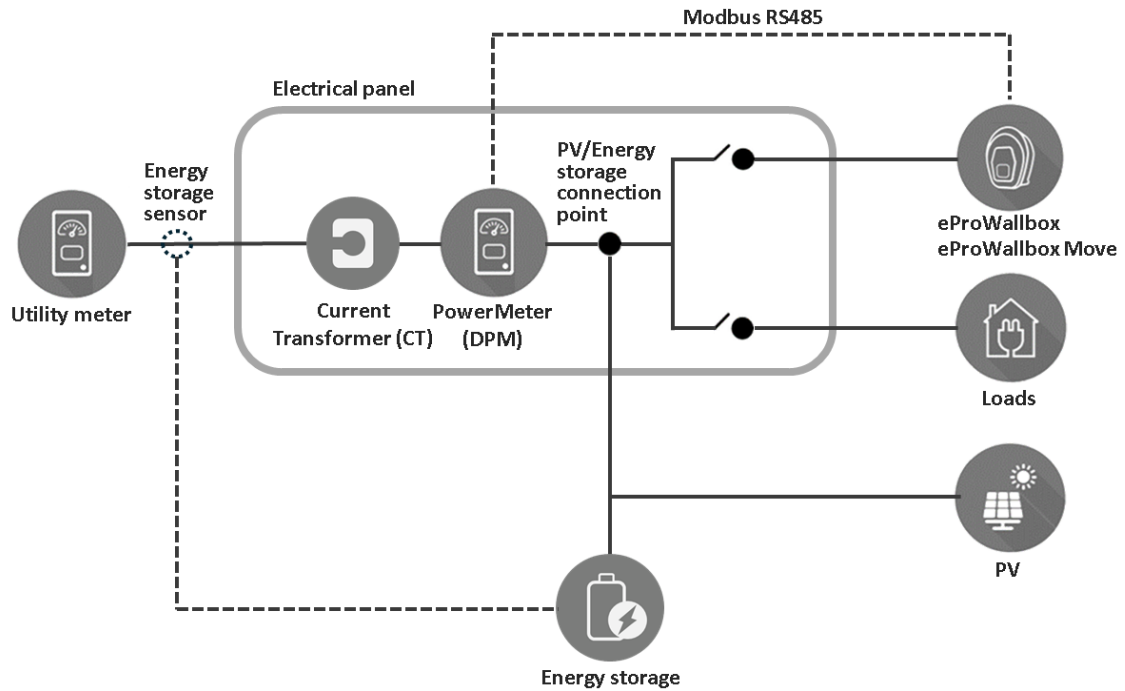


➔ La conexión de comunicación RS485 se trata en 4.9.

Instalación de la medición indirecta PowerMeter (DPM)

Coloque los TC (transformadores de corriente) del PowerMeter después del contador de servicios y antes de las cargas eléctricas, incluido el cargador.

Al instalar los transformadores de corriente (TC), apunte la flecha del TC en la dirección de las cargas.



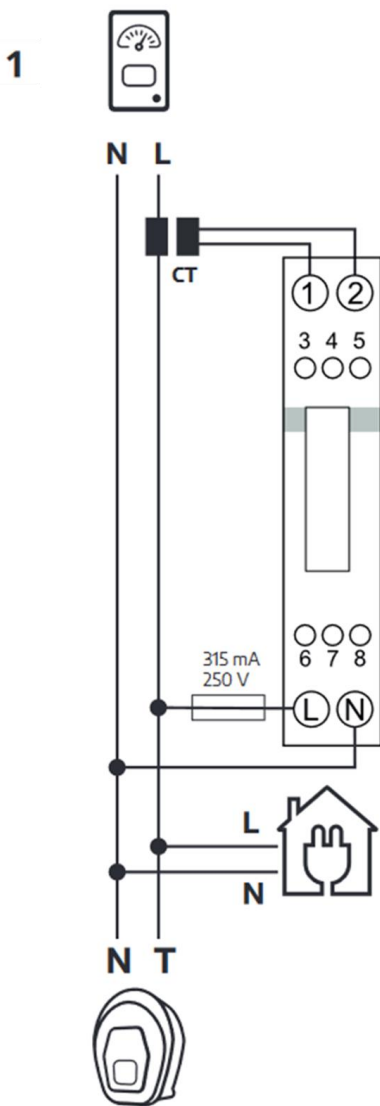
AVISO

- 1) Si hay FV, los transformadores de corriente (TC) PowerMeter deben colocarse entre el punto de conexión FV y el Contador de servicios.
- 2) Si hay un almacenamiento de energía en el hogar, los transformadores de corriente (TC) PowerMeter deben colocarse entre el punto de conexión del almacenamiento de energía y el sensor de medición del almacenamiento de energía.

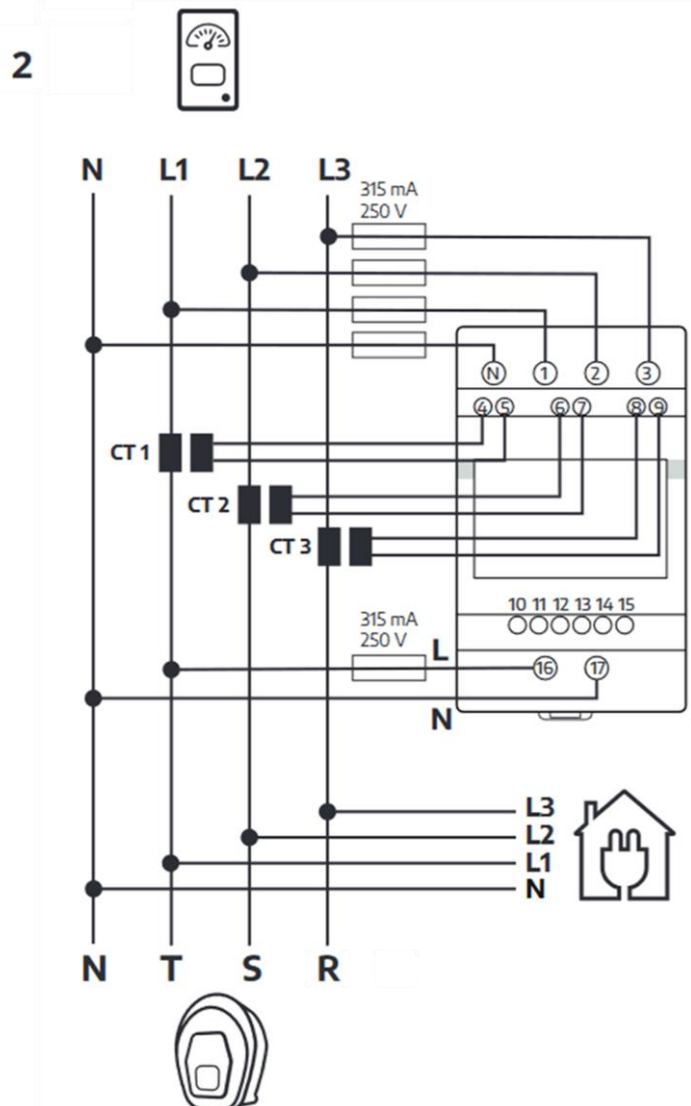
Consulte los siguientes diagramas para la conexión eléctrica monofásica y trifásica de los contadores de energía Gavazzi.

Gavazzi, monofásico, indirecto (EM111DINAV51XS1X) con 1x TC 100 A (CTA5X100A5A)

Gavazzi, monofásico, indirecto (EM111DINMV51XS1X) con 1x CTV 60 A (CTV1X60A333MV)



Gavazzi, trifásico, indirecto (EM330DINAV53HS1X) con 3x TC 150 A (CTA5X150A5A30)



→ La conexión de comunicación RS485 se trata en 4.9.

4.8.2. Instalación de MIDcounter

El MIDcounter es un contador de energía certificado que permite controlar de forma segura y fiable el consumo del cargador durante cada sesión de carga.

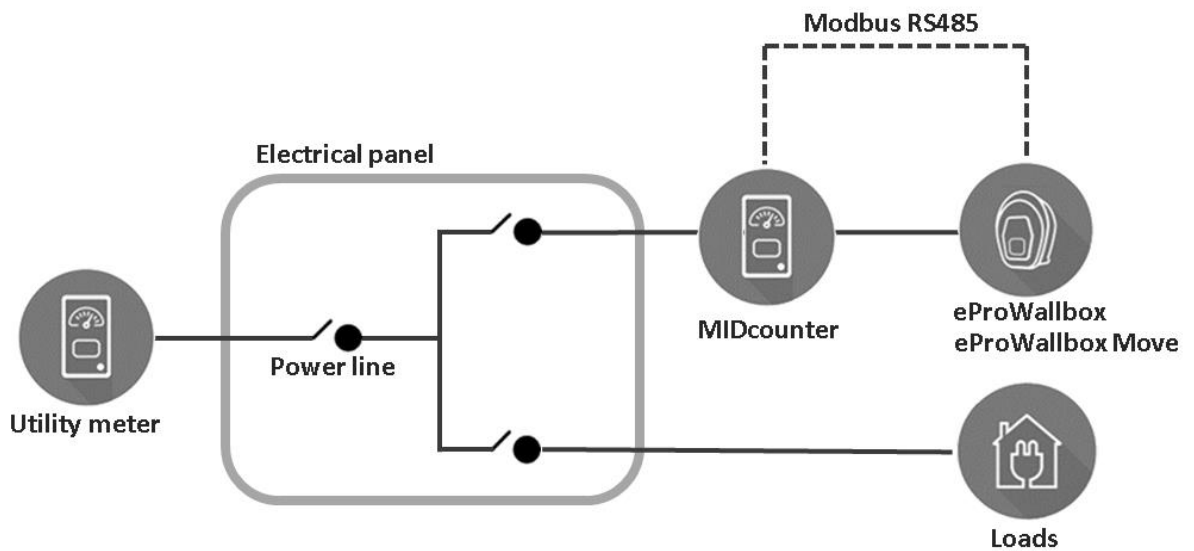
Todos los datos relevantes de las sesiones de carga son registrados automáticamente por un contador MID certificado y transferidos desde el cargador al Sistema de Gestión de Puntos de Carga (CPMS).



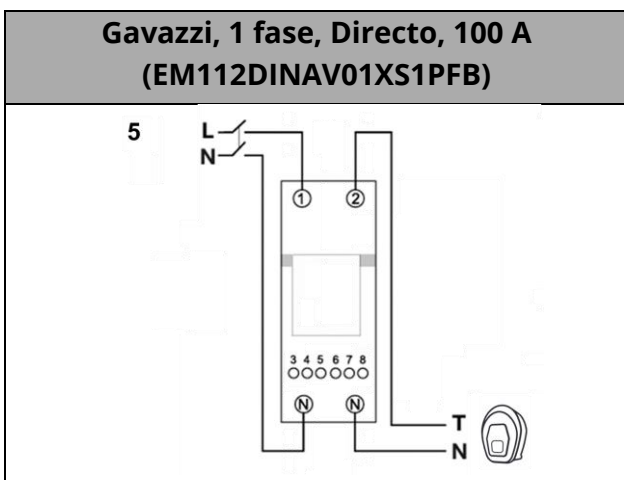
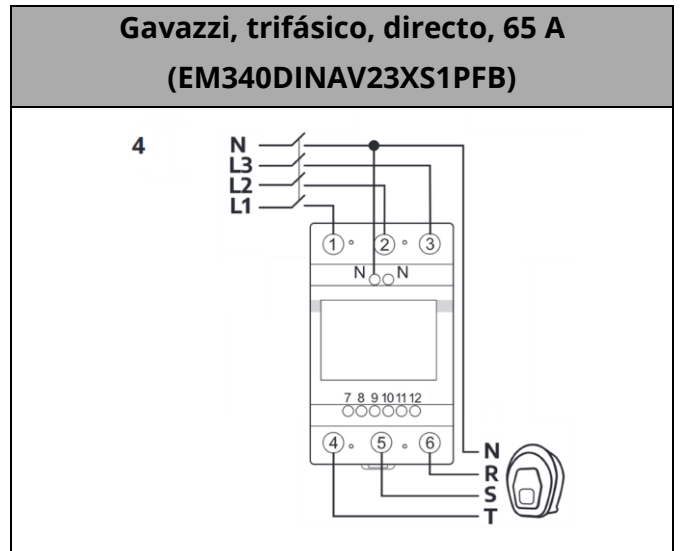
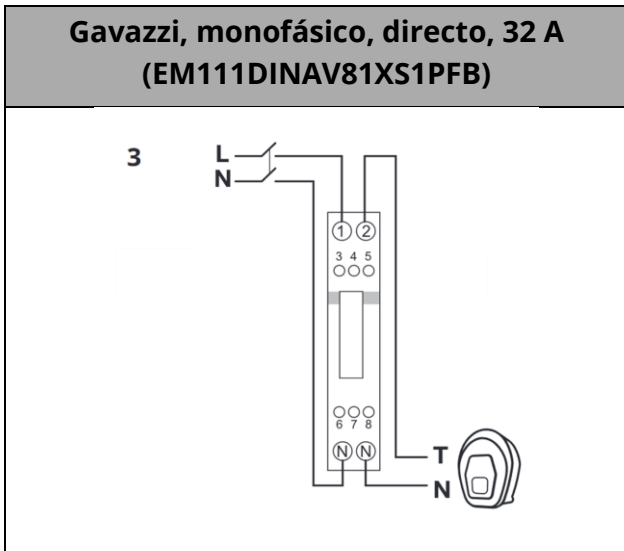
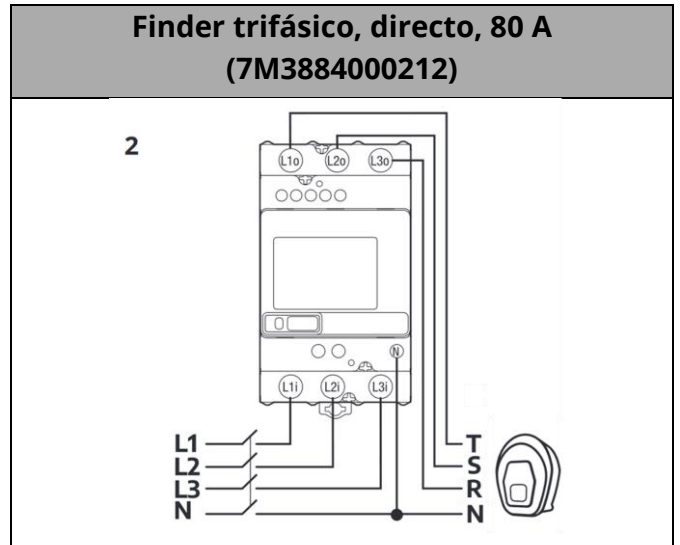
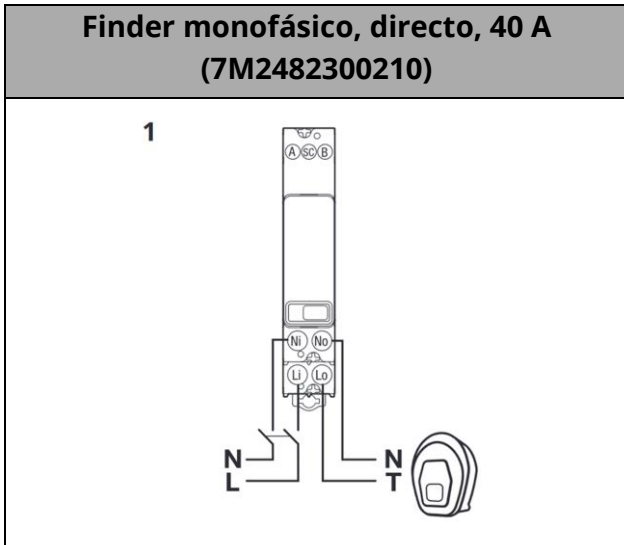
ADVERTENCIA

La Potencia del Cargador debe permanecer apagada durante este paso.

Coloque el MIDcounter en la misma línea de alimentación que el cargador, después de los dispositivos de protección eléctrica.



Consulte los siguientes diagramas para la conexión eléctrica monofásica y trifásica de MIDcounter (Finder y Gavazzi).

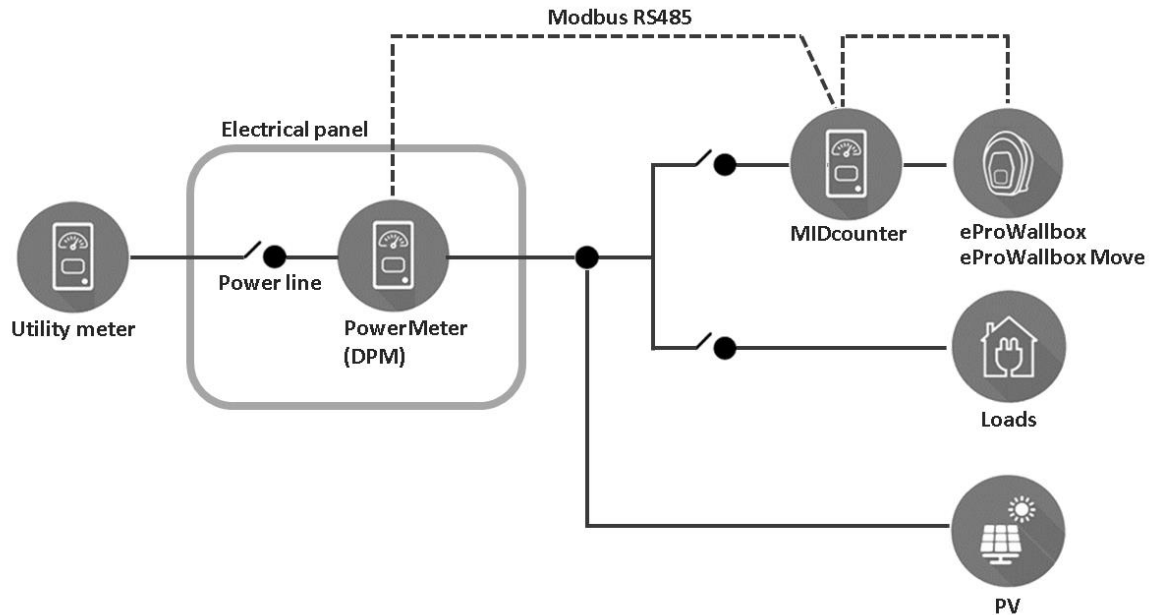


➔ La conexión de comunicación RS485 se trata en 4.9.

4.8.3. Instalación combinada de PowerMeter (DPM) y MIDcounter

Coloque el PowerMeter (DPM) después del contador de servicios.

Coloque el MIDcounter en la misma línea de alimentación que el cargador, después de los dispositivos de protección eléctrica.



AVISO 1

1) Si hay FV, el Contador de energía debe colocarse entre el Contador de servicios y el punto de conexión FV.

2) Si hay un almacenamiento de energía en el hogar, el PowerMeter debe colocarse entre el punto de conexión del almacenamiento de energía y el sensor de medición del almacenamiento de energía.

- ➔ Para las conexiones eléctricas de PowerMeter (DPM) y MIDcounter, véase 4.8.1 y 4.8.2.
- ➔ La conexión de comunicación RS485 se trata en 4.9.

4.9. Conexiones de comunicación Modbus RS485

Como se indica en 3.6, el Cargador está equipado con 2x puertos RS485 (CN9 /CN10) para la comunicación con:

- Cargadores adicionales en la Red M/S.
-OR-
- Un sistema de gestión de la energía (EMS) u otro dispositivo Modbus.

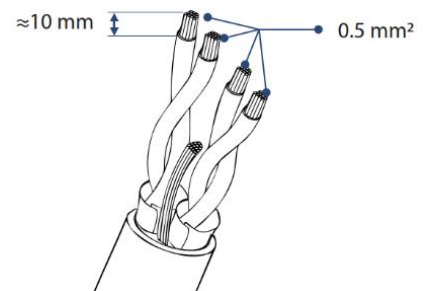
Y 1 puerto RS485 adicional (CN12) para comunicarse con un accesorio Contador:

- PowerMeter (DPM) para Dynamic Power Management.
-Y/O-
- Contador de energía certificado MIDcounter.

En esta sección se describen los requisitos de la línea RS485 y el procedimiento general de conexión, con el cableado detallado descrito caso por caso en las secciones siguientes.

Requisitos del cable RS485

- Modbus RS485 trenzado STP 2x2 AWG24 o S/FTP cat.7 adecuado para la instalación con una línea de alimentación de 400 V
- Tamaño del conductor: 0,5 mm².
- Longitud de pelado: 10 mm
- Longitud máxima recomendada: 150 m



Procedimiento de conexión

- 1) En el Cargador, retire la tapa protectora del punto de entrada de los cables de comunicación e introduzca la funda ondulada de Ø 25 mm.
- 2) Apriete la unión caja-cable.
- 3) Inserte el cable de comunicación tirando de él hasta una longitud que alcance el puerto de comunicación dejando algo de holgura.

NOTA: Los cables de comunicación deben estar correctamente separados de las placas electrónicas y tendidos lateralmente entre la placa y la base de plástico.

- 4) Conecte el cable de comunicación al puerto correspondiente, tal como se indica en las secciones siguientes.
- 5) Repita el procedimiento para cada cable de comunicación que desee instalar.
- 6) Debe instalarse una resistencia de terminación de 120 Ω en cada extremo de la línea RS485. La resistencia está presente en el Cargador por defecto.



ADVERTENCIA

Los orificios que no se utilicen deben cerrarse con las tapas de protección suministradas para garantizar el grado de protección IP.

4.9.1. Conexión de PowerMeter (DPM)

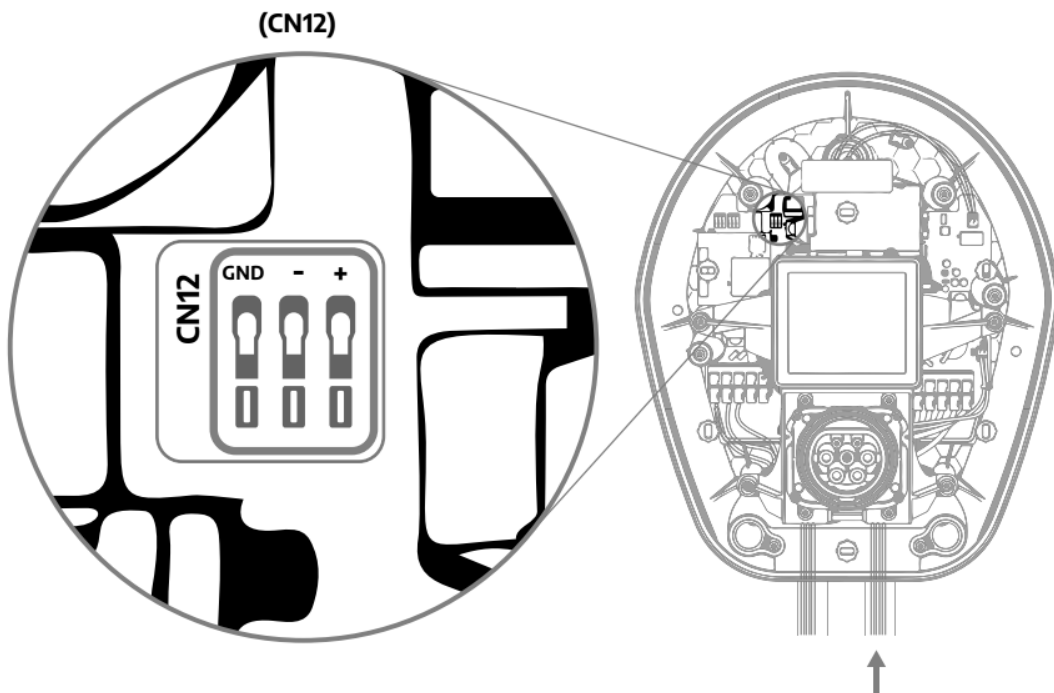
Conecte el PowerMeter (DPM) a través de RS485 después de la instalación eléctrica descrita en 4.8.1.

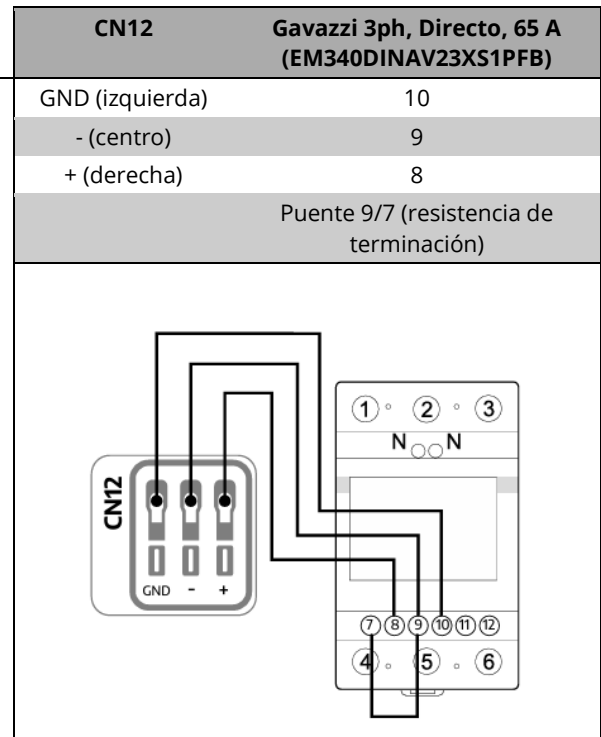
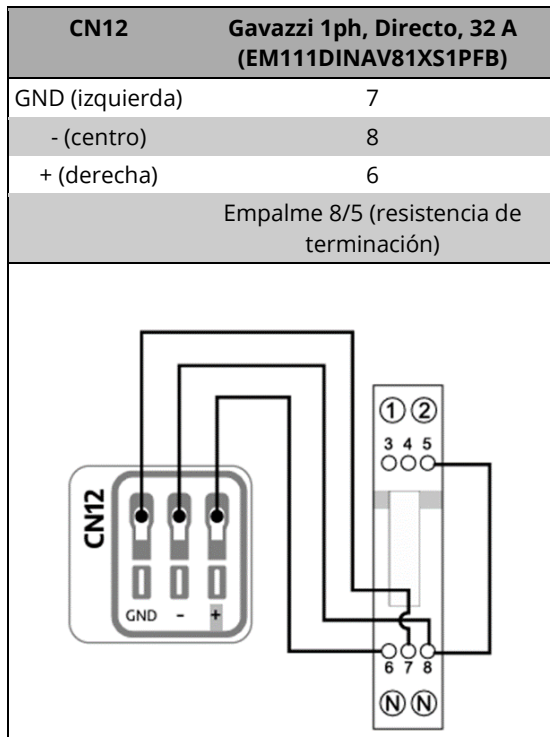
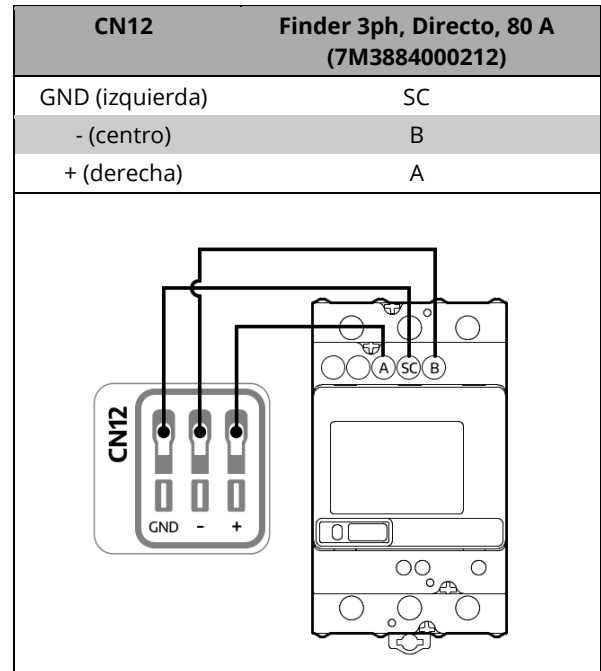
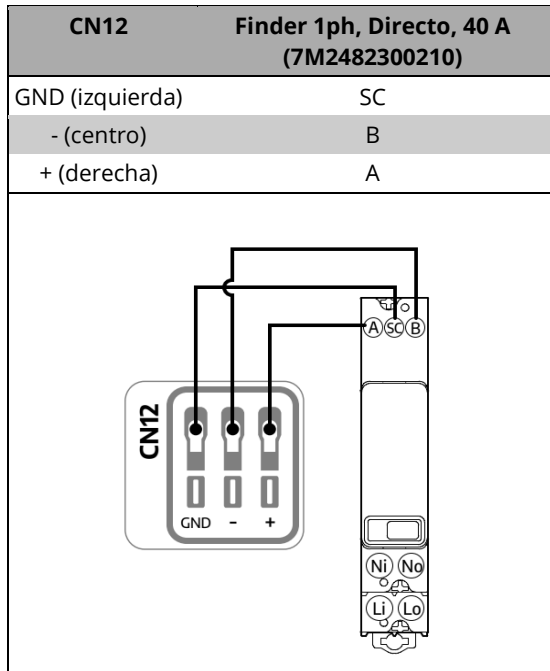
Como se muestra en las siguientes figuras, utilice el conector CN12 con la siguiente asignación de patillas:

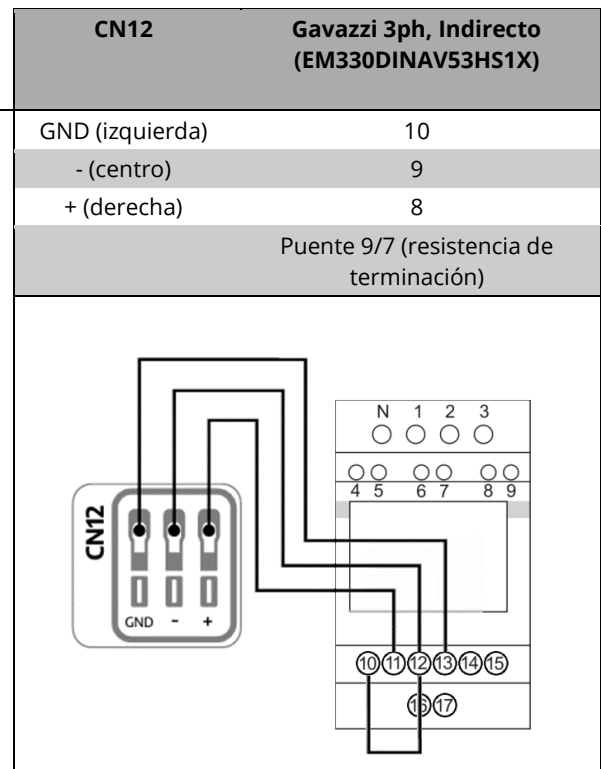
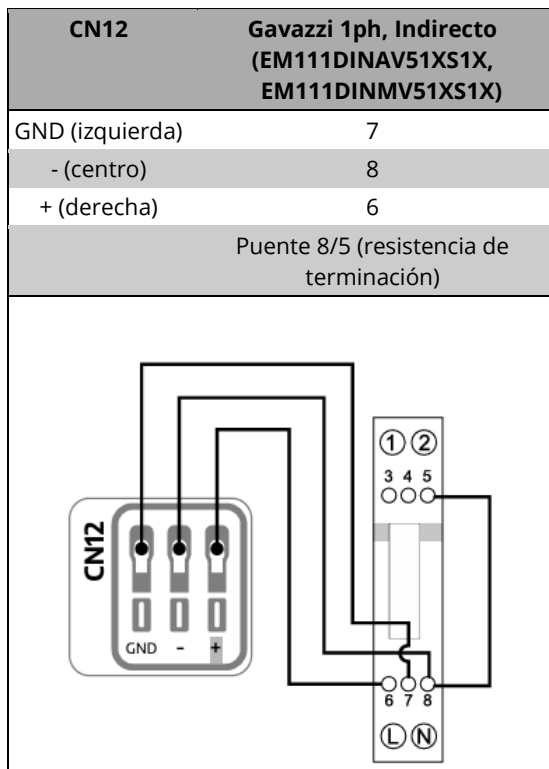
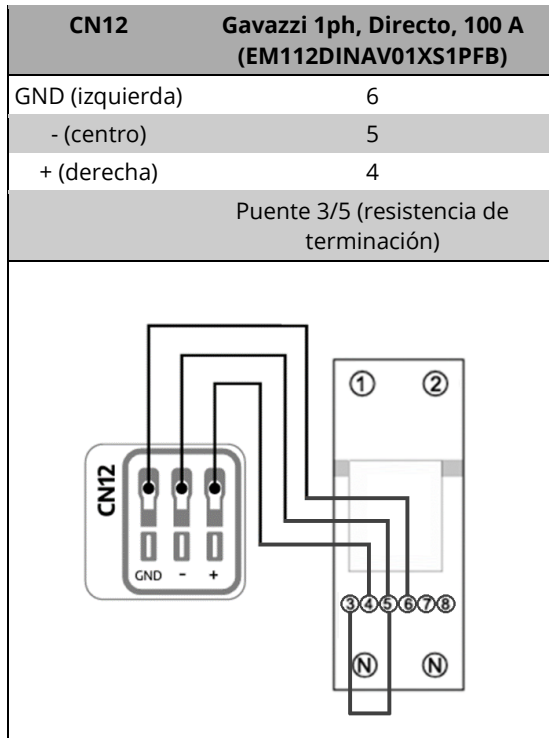
- **Izquierda = GND**
- **Medio = -**
- **Derecha = +**

En función del modelo de PowerMeter (DPM), consulte una de las tablas siguientes para ver la disposición de las conexiones.

→ Si la instalación incluye tanto PowerMeter (DPM) como MIDcounter, consulte 4.9.3.







➔ Tras el encendido (4.11), el PowerMeter (DPM) debe configurarse como se describe en 5.2.

4.9.2. Conexión del contador MID

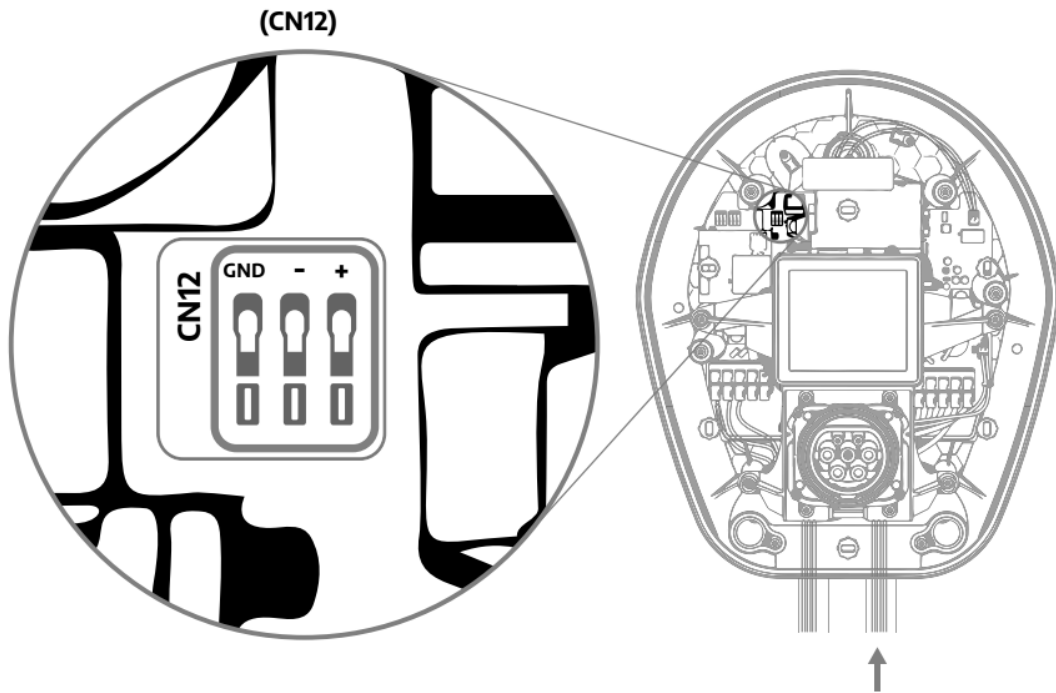
Conecte el MIDcounter a través de RS485 después de la instalación eléctrica descrita en 4.8.2.

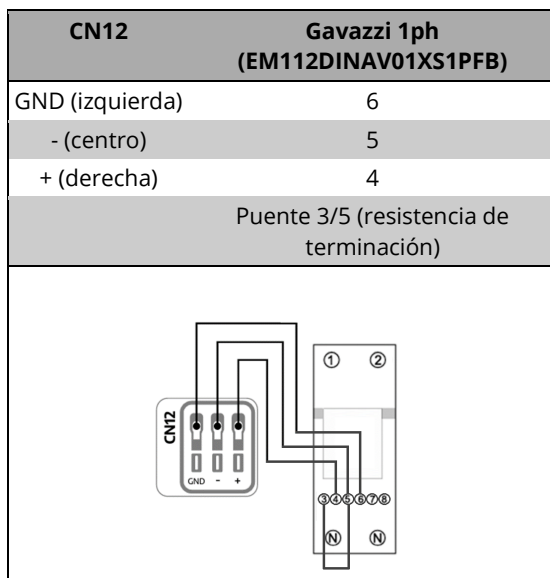
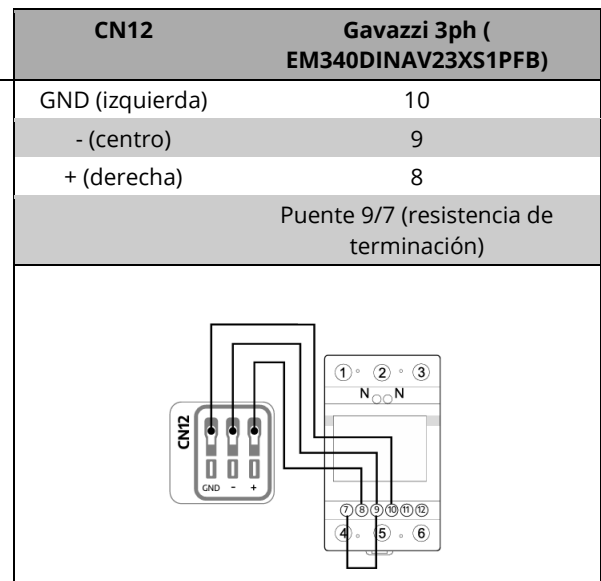
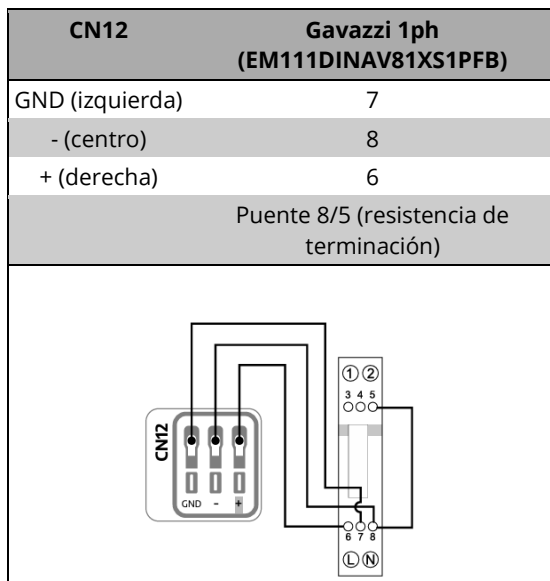
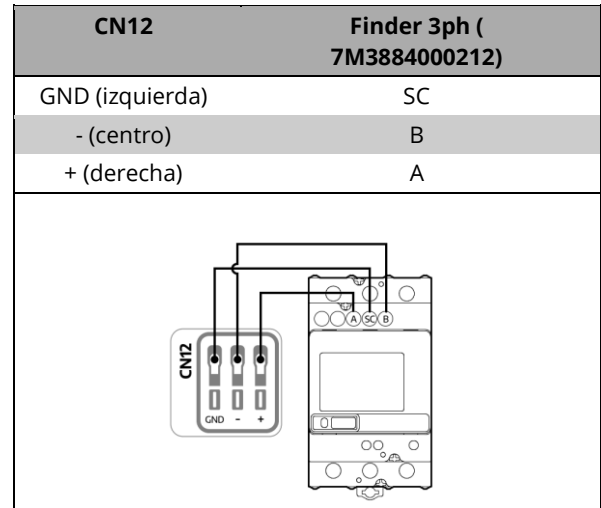
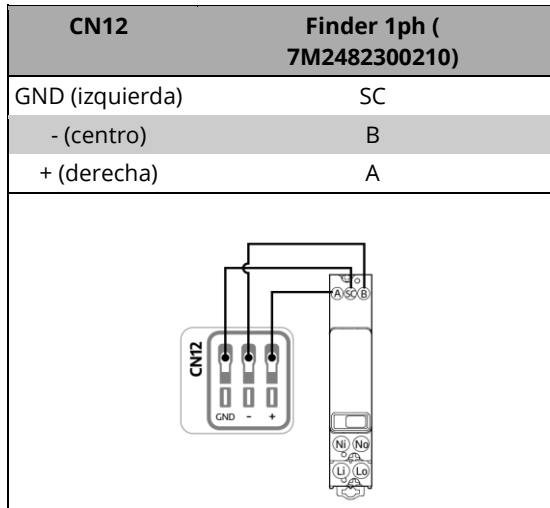
Como se muestra en la figura, utilice el conector CN12 con la siguiente asignación de patillas:

- **Izquierda = GND**
- **Medio = -**
- **Derecha = +**

En función del modelo de MIDcounter, consulte una de las tablas siguientes para ver la disposición de las conexiones.

→ Si la instalación incluye tanto PowerMeter (DPM) como MIDcounter, consulte 4.9.3.





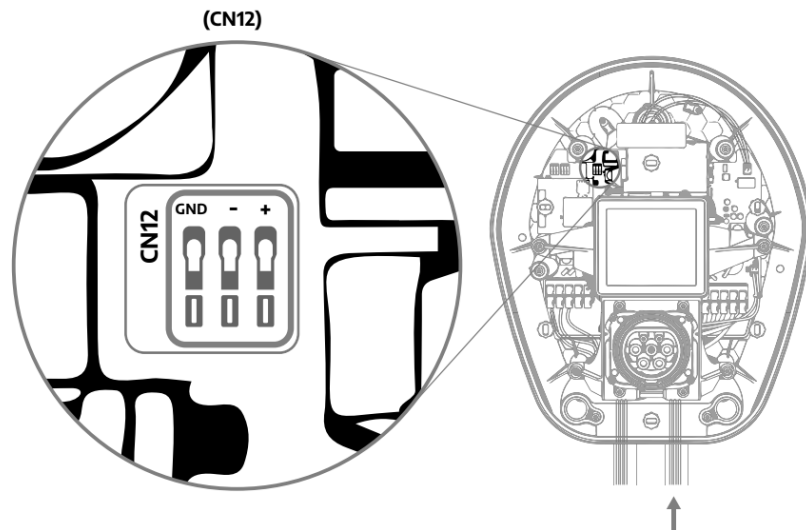
➔ Tras el encendido (4.11), el MIDcounter debe configurarse como se describe en 5.2.

4.9.3. Conexión de PowerMeter (DPM) y del contador MID

Conecte el PowerMeter (DPM) y el MIDcounter a través de RS485 después de la instalación eléctrica descrita en 4.8.3.

Como se muestra en la figura, utilice el conector CN12 con la siguiente asignación de patillas:

- **Izquierda = GND**
- **Medio = -**
- **Derecha = +**



→ En función de los modelos de PowerMeter (DPM) y MIDcounter, consulte una de las tablas siguientes para ver la disposición de las conexiones.

PowerMeter (DPM)	MIDcounter	Cargador	PowerMeter (DPM)	MIDcounter	Cargador
DPM, Gavazzi, 1ph, Indirecto 100 A /60A (EM111DINAV51XS1X, EM111DINMV51XS1X)	MID, Gavazzi, 1ph, Directo, 32 A (EM111DINAV81XS1PFB)	CN12	DPM, Gavazzi, 3ph, Indirecto, 150 A (EM330DINAV53HS1X)	MID, Gavazzi, 3ph, Directo, 65 A (EM340DINAV23XS1PFB)	CN12
GND (7)	GND (7)	GND	GND (13)	GND (10)	GND
A-(8) / T*(5)	A- (8)	-	A-(12) / T*(10)	A-(9)	-
B+(6)	B+ (6)	+	B+ (11)	B+ (8)	+
DPM, Gavazzi, 1ph, Indirecto 100 A / 60 A (EM111DINAV51XS1X, EM111DINMV51XS1X)	MID, Finder, 1ph, Directo, 40 A (7M2482300210)	CN12	DPM, Gavazzi, 3ph, Indirecto, 150 A (EM330DINAV53HS1X)	MID, Finder, 3ph, Directo, 80 A (7M3884000212)	CN12
GND (7)	SC	GND	GND (13)	SC	GND
A-(8) / T*(5)	B-	-	A-(12) / T*(10)	B-	-
B+(6)	A+	+	B+ (11)	A+	+
DPM, Gavazzi, 1ph, Directo, 32 A (EM111DINAV81XS1PFB)	MID, Gavazzi, 1ph Directo, 32 A (EM111DINAV81XS1PFB)	CN12	DPM, Gavazzi, 3ph Directo, 65 A (EM340DINAV23XS1PFB)	MID, Gavazzi, 3ph Directo, 65 A (EM340DINAV23XS1PFB)	CN12
GND (7)	GND (7)	GND	GND (10)	GND (10)	GND
A-(8) / T*(5)	A- (8)	-	A-(9) / T*(7)	A-(9)	-
B+(6)	B+ (6)	+	B+ (8)	B+(8)	+
DPM, Gavazzi, 1ph, Directo, 32 A (EM111DINAV81XS1PFB)	MID, Finder, 1ph directo, 40 A (7M2482300210)	CN12	DPM, Gavazzi, 3ph Directo, 65 A (EM340DINAV23XS1PFB)	MID, Finder, 3ph Directo, 80 A (7M3884000212)	CN12
GND (7)	SC	GND	GND (10)	SC	GND
A- (8) / T*(5)	B-	-	A-(9) / T*(7)	B-	-
B+(6)	A+	+	B+(8)	A+	+
DPM, Gavazzi, 1ph, Directo, 100 A (EM112DINAV01XS1PFB)	MID, Gavazzi, 1ph, Directo, 100 A (EM112DINAV01XS1PFB)	CN12	DPM, Gavazzi, 1ph, Directo, 100 A (EM112DINAV01XS1PFB)	MID, Finder, 1ph directo, 40 A (7M2482300210)	CN12
GND (6)	GND (6)	GND	GND (6)	SC	GND
A- (5) / T*(3)	A- (5)	-	A- (5) / T*(3)	B-	-
B+(4)	B+(4)	+	B+(4)	A+	+
DPM, Finder, 1ph, Directo, 40 A (7M2482300210)	MID, Gavazzi, 1ph Directo, 32 A (EM111DINAV81XS1PFB)	CN12	DPM, Finder, 3ph Directo, 80 A (7M3884000212)	MID, Gavazzi, 3ph Directo, 65 A (EM340DINAV23XS1PFB)	CN12
SC	GND (7)	GND	SC	GND (10)	GND
B-	A-(8)	-	B-	A-(9)	-
A+	B+(6)	+	A+	B+(8)	+
DPM, Finder, 1ph, Directo, 40 A (7M2482300210)	MID, Finder, 1ph directo, 40 A (7M2482300210)	CN12	DPM, Finder, 3ph Directo, 80 A (7M3884000212)	MID, Finder, 3ph Directo, 80 A (7M3884000212)	CN12
SC	SC	GND	SC	SC	GND
B-	B-	-	B-	B-	-
A+	A+	+	A+	A+	+

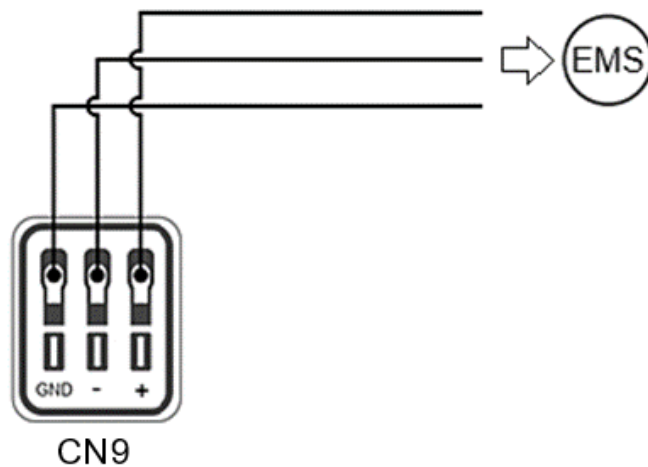
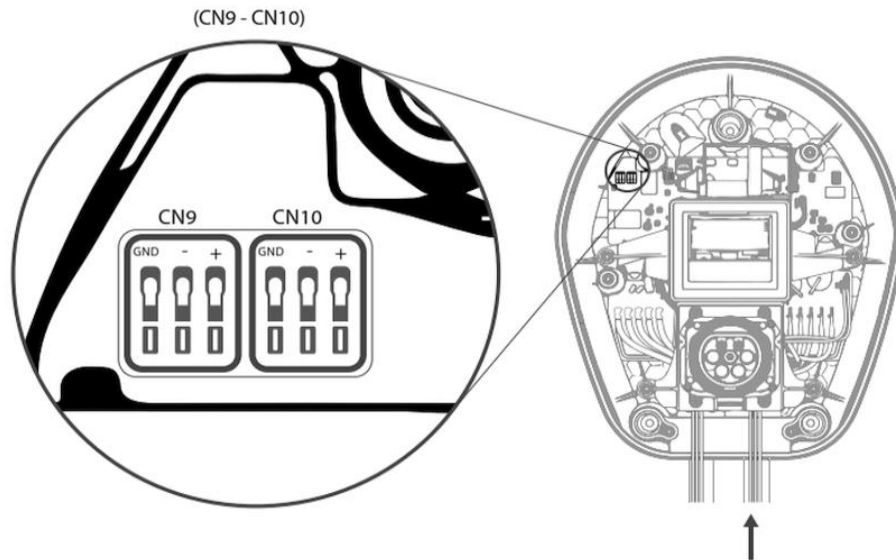
(* Los modelos Gavazzi llevan incorporada una resistencia de terminación, que puede activarse puentando estos terminales.

➔ Tras el encendido (4.11), el PowerMeter (DPM) y el MIDcounter deben configurarse como se describe en 5.2.

➔ Conexión de EMS en Modbus RS485

Como se muestra en la siguiente figura, utilice el conector CN9 con la siguiente asignación de patillas:

- **Izquierda = GND**
- **Medio = -**
- **Derecha = +**



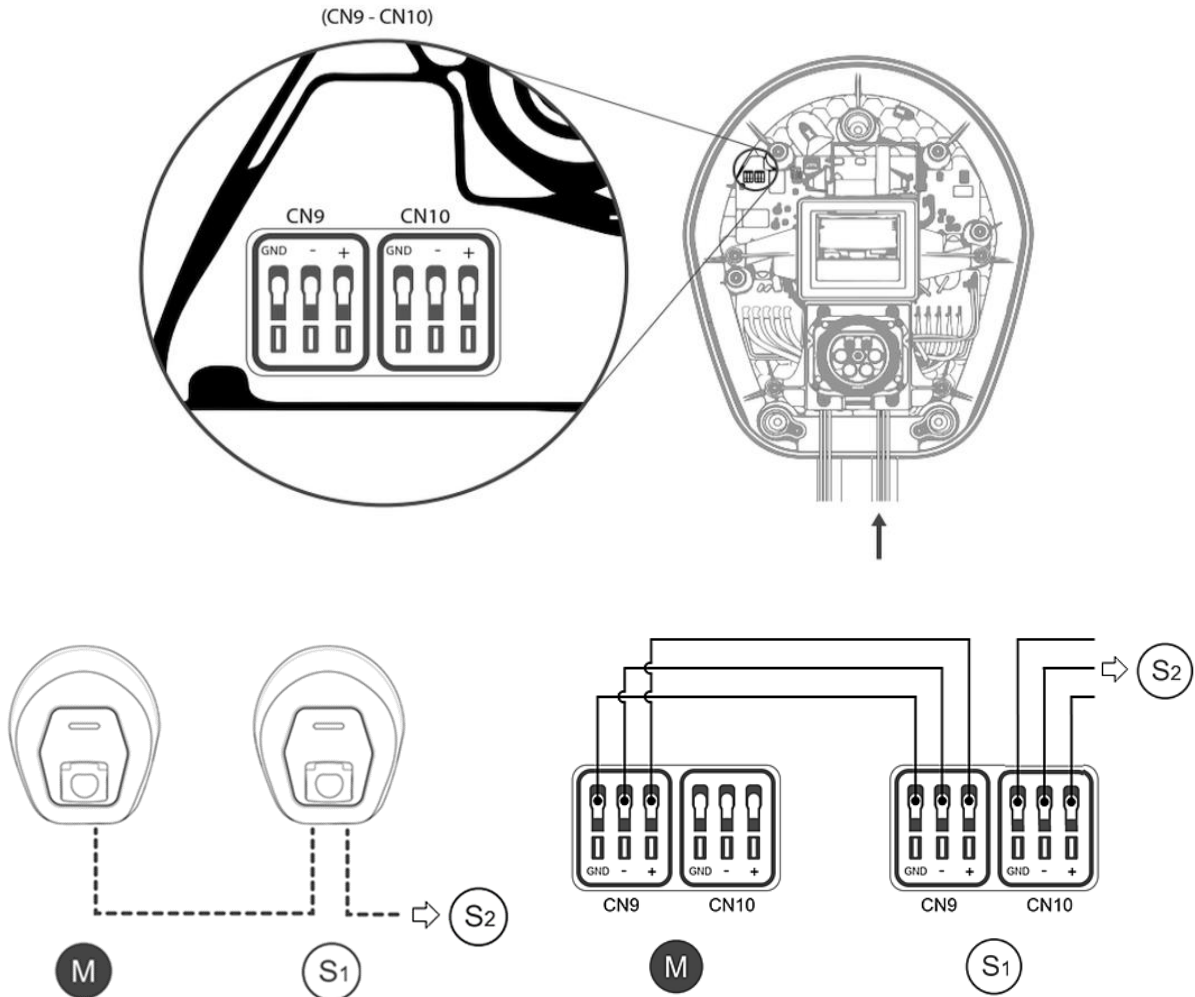
- ➔ La configuración de EMS en la aplicación de instalación se describe en 5.11.3.
- ➔ Las funciones EMS se basan en Modbus tal y como se describe en la documentación de Mapas Modbus. Véase 1.4.

4.9.4. Conexión de cargadores en la red de cargadores M/S

El Cargador Principal puede conectarse a los Cargadores Satélite a través de Modbus RS485 en configuración daisy-chain (ver 5.11.2).

Como se muestra en las figuras siguientes, utilice los conectores CN9 y CN10 con la siguiente asignación de patillas:

- **Izquierda = GND**
- **Medio = -**
- **Derecha = +**



➔ Tras el encendido (4.11), la Red de Cargadores M/S debe configurarse en la App instaladora como se describe en 5.11.2.

4.10. Conexión Ethernet

Como se indica en 3.6 el Cargador está equipado con un puerto Ethernet para:

- Conexión OCPP a través de Internet.
-Y-
- Conexión Modbus TCP/IP a un sistema o dispositivo externo de gestión de la energía (EMS).
- Atención al cliente.

Requisitos del cable Ethernet

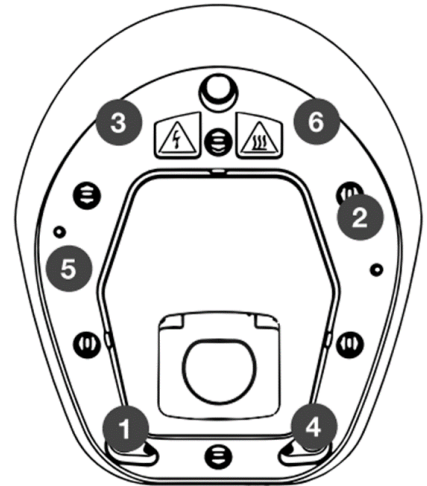
- Tipo de cable: Ethernet S/FTP cat.7
 - Longitud máxima hasta el router/conmutador: 110 m
 - Conector: RJ45 enchufable
- ➔ Por defecto, la conexión Ethernet está activa con la configuración DHCP. Puede desactivarse o reconfigurarse como se describe en 5.5.

4.11. Comprobación del sistema, cierre y encendido

Antes de cerrar, compruebe que los cables de alimentación eléctrica están conectados correctamente, asegurándose de que las posiciones respectivas de las fases y el neutro en el bloque de terminales CN1 respetan las marcas.

Procedimiento de cierre

- 1) Vuelva a colocar la Cover
- 2) Apriete con los tornillos retirados anteriormente en la secuencia 1-6 mostrada en la figura. Utilice un par de apriete de 2,5 Nm.
- 3) Vuelva a colocar la cornisa externa, empujando la lengüeta de goma en la ranura y ejerciendo una ligera presión.
- 4) Conecte la Potencia activando el disyuntor aguas arriba.
- 5) Espere a que se encienda la barra de LEDs o la pantalla.



AVISO

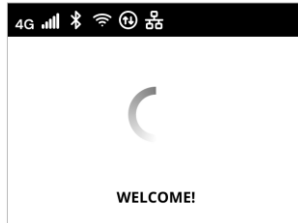
Es posible que el cargador no se encienda inmediatamente después del encendido.

Puede tardar hasta 30 segundos.

4.11.1. Pantallas de visualización eProWallbox

Esta sección enumera las pantallas de visualización de **eProWallbox** . El modelo **eProWallbox Move** está equipado con una barra de LED como se describe en 4.11.2.

Cargando pantallas de sesión



Mensaje de bienvenida, que puede contener el logotipo de una marca. Después de conectar la Potencia, puede tardar hasta 30 segundos en aparecer.

Los iconos de la cabecera indican que hay comunicaciones activas. Algunos iconos pueden aparecer o no dependiendo de su modelo y configuración.

4G  4G LTE, con barras de señal




Bluetooth



Wi-Fi, con barras de señal

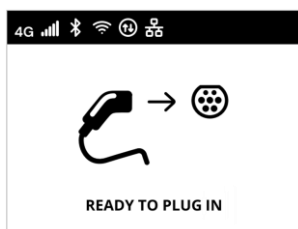


Conexión activa con CPMS.

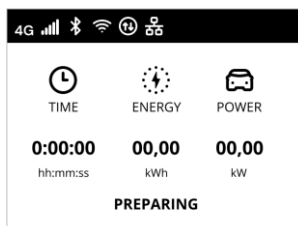
El icono alternativo  indica una condición de fallo de comunicación.



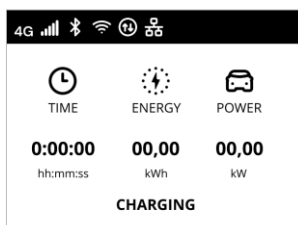
Cable Ethernet conectado



La pantalla LISTO PARA ENCHUFAR es la pantalla por defecto en el modo Autostart, y aparece después de una autorización exitosa. Le pide que inserte el cable de carga para iniciar la sesión de carga.

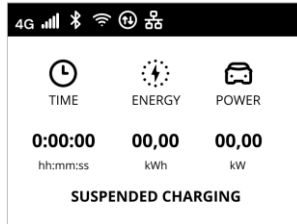


Durante unos segundos, la pantalla PREPARANDO indica que se está preparando la sesión de carga. Si esta pantalla persiste, significa que el DPM u otras funciones de equilibrio de carga están impidiendo que se inicie la carga. La carga se iniciará en cuanto las condiciones lo permitan.

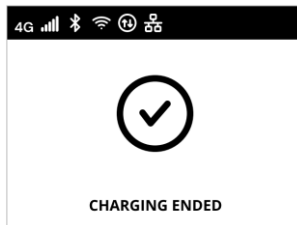


La pantalla CARGA muestra los parámetros de la sesión en curso:

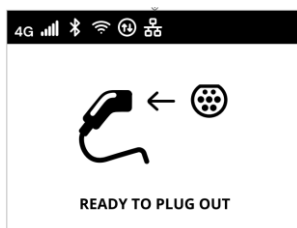
- TIEMPO: Duración de la sesión
- ENERGÍA: Energía absorbida por el vehículo
- POTENCIA: Potencia de carga actual



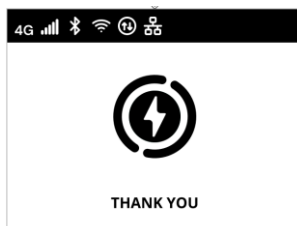
La pantalla de CARGA SUSPENDIDA indica que la sesión de carga ha sido suspendida por el DPM o el VE. La sesión de carga se reanuda automáticamente cuando las condiciones lo permitan.



La pantalla FIN CARGA indica durante 3 segundos el fin de la sesión de carga.

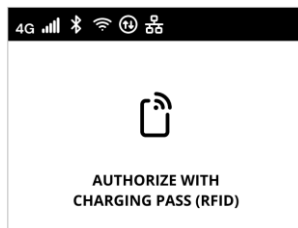


La pantalla READY TO PLUG OUT aparece durante 3 segundos para indicar que se debe retirar el cable de carga.



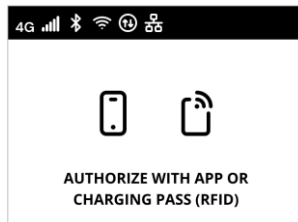
Esta pantalla de fin de sesión se muestra durante unos 5 segundos. La pantalla puede contener un logotipo de la marca.

Pantallas de autorización de acceso



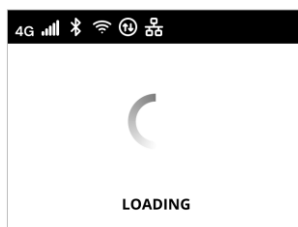
La pantalla **AUTORIZAR CON CHARGING PASS (RFID)** aparece cuando el modo operativo Autorización está activado.

Para iniciar el proceso de carga, es necesario estar autorizado mediante tarjeta RFID.

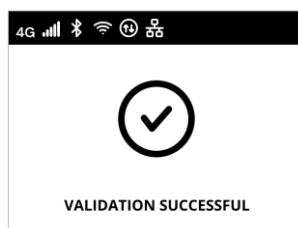


La pantalla **AUTORIZAR CON APP O CHARGING PASS (RFID)** aparece cuando el modo operativo Autorización está activado y el CPMS está conectado.

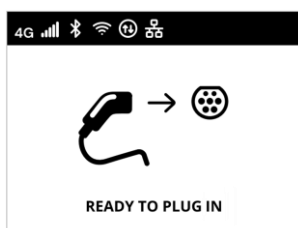
Para iniciar el proceso de carga, es necesario estar autorizado a través de la App o la tarjeta RFID.



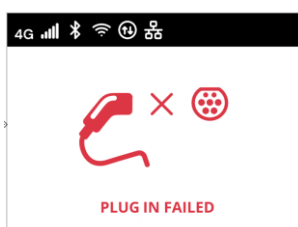
La pantalla de **CARGA** indica que se están comprobando los parámetros de autorización.



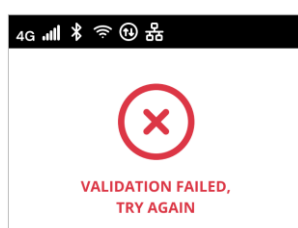
La pantalla **VALIDACIÓN CON ÉXITO** confirma durante 3 segundos el acceso autorizado.



Después de ser autorizado, la pantalla **LISTO PARA ENCHUFAR** le indica que puede comenzar la carga. Tenga en cuenta que dispone de 60 segundos para enchufar el conector de carga.

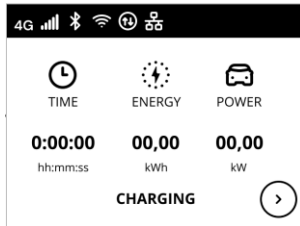


La pantalla **ENCHUFE FALLIDO** indica que no se ha enchufado ningún cable en 60 segundos y que el acceso autorizado ha caducado. Debe iniciar de nuevo el proceso.

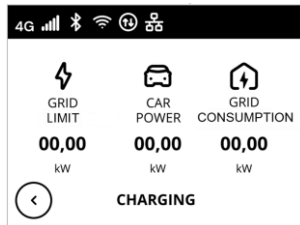


La pantalla **VALIDACIÓN FALLIDA, INTENTE DE NUEVO** aparece durante 5 segundos para indicar que el intento de autorización falló. Compruebe su método de autorización e inicie de nuevo el proceso.

Pantallas de información DPM



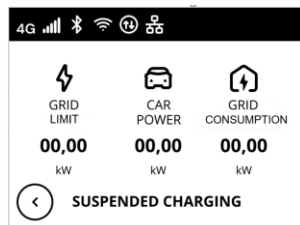
Si PowerMeter (DPM) está instalado, hay un botón disponible en la parte inferior derecha de la pantalla de CARGA para mostrar la información de Dynamic Power Management.



La pantalla CARGA/DPM muestra la información DPM de la sesión en curso:

- LÍMITE DE RED: límite de potencia contratada - POTENCIA DEL VEHÍCULO: potencia absorbida por el vehículo
- CONSUMO DE RED: potencia absorbida de la red

Pulse el botón situado en la parte inferior izquierda de la pantalla para volver.



De la misma forma que en el caso anterior, la información del DPM puede visualizarse desde la pantalla de CARGA SUSPENDIDA y desde la pantalla de PREPARACIÓN.

Pantallas de error

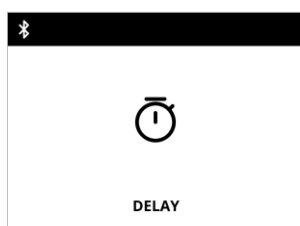


La pantalla ERROR informa de una condición de error con el código de error. Consulte la resolución de problemas en la sección 6.

Otras pantallas



ACTUALIZACIÓN DE SOFTWARE EN CURSO. Espere a que finalice la actualización.



RETARDO antes de la carga en curso.

4.11.2. Barra LED eProWallbox Move

NOTA: Esta sección sólo se aplica a la barra **eProWallbox Move** LED. El modelo **eProWallbox** está equipado con una pantalla como se describe en 4.11.1.

Comportamiento de la barra LED

Una vez encendido el Cargador, la barra de LED parpadea en una secuencia de colores. A continuación, el estado del Cargador se puede monitorizar fácilmente a través de los colores y el comportamiento del LED frontal.

Cuando se enciende el cargador, la barra de LED realiza una secuencia de colores rojo, verde y azul. Si esta condición persiste, póngase en contacto con el Servicio de Atención al Cliente (consulte la sección 9).



	AZUL	VERDE	ROJO	AMARILLO
PULSAR	Preparación para la carga	Carga en curso		Actualización del software
SÓLIDO	Listo para conectar (Autostart) o Autorizar con App (Authorization)	Carga suspendida por DPM o EV (por ejemplo, carga completa).		Cargador no disponible/bloqueado
FLASHING		Listo para enchufar	Error detectado	

AVISO

El comportamiento del LED puede variar en función de la versión del software.

5. PUESTA EN SERVICIO

5.1. Flujo de trabajo de la puesta en servicio

Realice los pasos descritos en las siguientes secciones según sea necesario, en función de los requisitos específicos de su instalación.

- 1) Configure PowerMeter (DPM) y MIDcounter. Véase 5.2.
- 2) Inicie PowerUp (la aplicación de instalación). Consulte 5.3.
- 3) Si es necesario, configure los ajustes Wi-Fi. Consulte 5.4.
- 4) Si es necesario, configure los ajustes de Ethernet. Consulte 5.5.
- 5) Ver parámetros de Estado y Cargador. Véase 5.6 y 5.7.
- 6) Compruebe y actualice la versión del Firmware. Véase 5.8.
- 7) Ajuste el modo de funcionamiento. Véase 5.9.
- 8) Compruebe la potencia máxima de carga y ajústela si es necesario. Véase 5.10.
- 9) Si está instalado, configure el PowerMeter (DPM) en la App. Véase 5.11.
- 10) Si está instalado, configure el MIDcounter en la App. Véase 5.11.
- 11) Si es necesario, ajuste la configuración específica del país. Véase 5.13.
- 12) Si es necesario, configure la Red de Cargadores M/S. Véase 5.11.2.
- 13) Si es necesario, configure el EMS. Véase 5.11.3.
- 14) Si debe sustituir la tarjeta SIM, configure los parámetros de Internet móvil. Véase 5.14.
- 15) Si es necesario, configure la conexión OCPP backend. Véase 5.15.
- 16) Asegúrese de reiniciar el Cargador para que todos los cambios surtan efecto.
- 17) Si es necesario, consulte Diagnóstico para tratar las condiciones de error. Véase 5.16.

5.2. Configuración de PowerMeter (DPM) y MIDcounter

Una vez finalizadas las instalaciones eléctricas y de comunicación, puede encender el contador de Potencia (DPM) y/o el MIDcounter (en lo sucesivo, contador de energía). A continuación, debe proceder a la configuración en la pantalla del contador de energía.

La configuración varía en función del modelo.

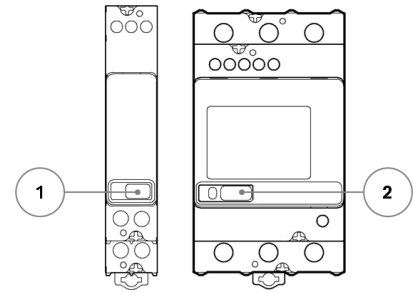
- ➔ Tras la configuración local aquí descrita, en el flujo de trabajo de puesta en servicio (véase la sección 5), el Contador también debe ser configurado en la App instaladora (ver 5.11).

5.2.1. Configuración de los modelos Finder

Reglas generales de la pantalla táctil del Finder:

- Pulse la tecla táctil 1 ó 2, según el modelo, para desplazarse por los elementos del menú y los parámetros.
- Mantenga pulsada (~2 segundos) la tecla táctil (1 ó 2) para confirmar la selección del elemento actual.

Para más información, consulte el manual de usuario de Finder.



Procedimiento de configuración

- 1) Para entrar en el menú PRINCIPAL, mantenga pulsada la tecla táctil (1 ó 2) hasta que parpadee el texto de la pantalla.
- 2) Desplácese por el menú PRINCIPAL con la tecla táctil (1 ó 2) y mantenga pulsada la opción **SET** o **AJUSTES**.
NOTA: Según el modelo, los nombres de las opciones de menú se adaptan a la anchura de la pantalla.
- 3) Desplácese por el menú **SET/SETTINGS** y seleccione **COMM** o **COMMUNICATION**.
- 4) Desplácese por el menú **COM/COMUNICACIÓN** y seleccione los valores de **Dirección del dispositivo**, **Bits por segundo**, **Paridad** y **Bits de parada** como se muestra en la tabla siguiente.
- 5) Desplácese y seleccione ESC para volver al menú PRINCIPAL.

Pasos adicionales sólo para contadores de energía trifásicos

- 6) Desplácese por el menú PRINCIPAL y seleccione **INSTALACIÓN**.
- 7) Desplácese por el menú **INSTALACIÓN** y seleccione **MODO CONEXIÓN**.
- 8) En **MODO CONEXIÓN**, seleccione **3L+N, L+N-Aritmética** (evaluación de fases individuales).
- 9) Compruebe que se ha configurado la opción correcta e introduzca la contraseña **DCBA**.
NOTA: La configuración no se puede modificar después de introducir la contraseña DCBA.
- 10) Cuando se le solicite, confirme el cambio seleccionando **Sí**.

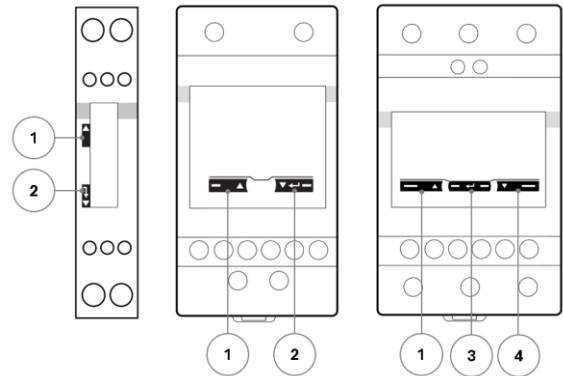
TODOS LOS MODELOS FINDER	PowerMeter (DPM)	MIDcounter
Dirección/Dirección del dispositivo	1	2
Baudios/Bits por segundo	38400 bit/s	38400 bit/s
Paridad	Incluso	Incluso
Bit de parada/Stop	1	1
Contador de energía trifásico adicional		
Modo de comunicación	3L+N, L+N-Aritmética	3L+N, L+N-Aritmética

5.2.2. Configuración de los modelos Gavazzi

La pantalla táctil Gavazzi manda:

- Pulse la tecla táctil 1 (arriba) y 2 ó 4 (abajo), según el modelo, para desplazarse por los elementos del menú y los parámetros.
- Mantenga pulsada (~2 segundos) la tecla táctil (2 ó 3) para confirmar la selección del elemento actual.

Para más información, consulte el manual de instrucciones Gavazzi.



Procedimiento de configuración

- 1) Al encender el contador de energía por primera vez, mantenga pulsada la tecla táctil 2 (o 3) hasta que aparezca la contraseña en la pantalla.
- 2) Mantenga pulsadas las teclas táctiles 1 y 2 (o 1 y 4) simultáneamente para confirmar la contraseña 0000 y entrar en el menú PRINCIPAL.
- 3) Desplácese por el menú PRINCIPAL con las teclas táctiles 1 y 2 (o 1 y 4) y seleccione las opciones que se muestran en las tablas siguientes.

TODOS LOS MODELOS GAVAZZI	PowerMeter (DPM)	MIDcounter
PASE	0000	0000
DIRECCIÓN	001	002
BAUD	38.4	38.4
PARIDAD	Incluso	Incluso
Contador de energía trifásico adicional		
SISTEMA	3Pn	3Pn
DIRECCIÓN	001	002

5.2.3. Resumen de la configuración del Contador de Energía

Finder 1ph DPM directo	
DIRECCIÓN DEL DISPOSITIVO	_1
BITS POR SEGUNDO (BAUDIOS)	38400
PARIDAD	INCLUSO
BIT DE PARADA	1

Finder 1ph MID directo	
DIRECCIÓN DEL DISPOSITIVO	_2
BITS POR SEGUNDO (BAUDIOS)	38400
PARIDAD	INCLUSO
BIT DE PARADA	1

Finder 3ph DPM directo	
DIRECCIÓN DEL DISPOSITIVO	_1
BITS POR SEGUNDO (BAUDIOS)	38400
PARIDAD	INCLUSO
BIT DE PARADA	1
MODO DE CONEXIÓN	3L+N, L+N - Aritmética
CONTRASEÑA	DCBA

Finder 3ph MID directo	
DIRECCIÓN DEL DISPOSITIVO	_2
BITS POR SEGUNDO (BAUDIOS)	38400
PARIDAD	INCLUSO
BIT DE PARADA	1
MODO DE CONEXIÓN	3L+N, L+N - Aritmética
CONTRASEÑA	DCBA

GAVAZZI 1phDirecto/Indirecto DPM	
PASE	0000
DIRECCIÓN	001
BAUD	38.4
PARIDAD	Incluso

GAVAZZI 1phDirecto MID	
PASE	0000
DIRECCIÓN	002
BAUD	38.4
PARIDAD	Incluso

GAVAZZI 3phDirecto/Indirecto DPM	
PASE	0000
SISTEMA	3Pn
DIRECCIÓN	001
BAUD	38.4
PARIDAD	Incluso

GAVAZZI 3phDirecto MID	
PASE	0000
SISTEMA	3Pn
DIRECCIÓN	002
BAUD	38.4
PARIDAD	Incluso

5.3. Iniciar PowerUp

Una vez finalizada la instalación eléctrica, el Cargador debe configurarse a través de una conexión Bluetooth mediante la aplicación de instalación **PowerUp** (véase 3.8).

AVISO

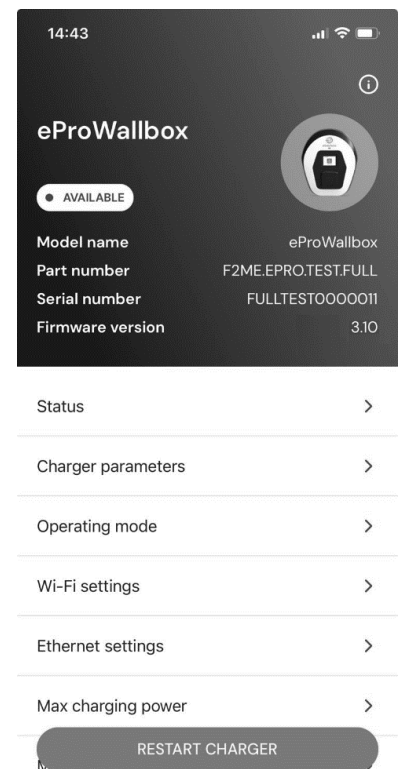
PowerUp está destinado a ser utilizado exclusivamente por instaladores cualificados.

AVISO

Actualiza siempre PowerUp a la última versión para acceder a todas las funciones.

Procedimiento de instalación e inicio de la aplicación

- 1) Asegúrate de que Bluetooth está activado en tu smartphone.
- 2) Actualice/descargue la última versión **de PowerUp** (véase 3.8) y ejecútela.
- 3) Selecciona el idioma y acepta las condiciones de uso.
- 4) Retire el marco externo y escanee el código QR del cargador en la Cover (véase 3.3).
 - Si la conexión Bluetooth con el cargador se realiza correctamente, aparece la página de inicio con información general del cargador y el menú de configuración.
 - Si no se puede, pruebe a reiniciar la APP o el cargador.
- 5) Siga el menú secuencialmente o vaya directamente a la página de parámetros que desee configurar. Consulte las secciones siguientes para obtener instrucciones detalladas.



NOTAS GENERALES SOBRE LAS PÁGINAS DE CONFIGURACIÓN

- En las páginas de configuración, seleccione **ENVIAR** para actualizar la configuración del cargador.
- Seleccione **←** en la parte superior izquierda de la pantalla para volver.
- Una vez completados todos los cambios, seleccione **REINICIAR CARGADOR** en la página de inicio para que los cambios surtan efecto.

5.4. Configuración Wi-Fi

La página de **configuración Wi-Fi** permite configurar la conexión Wi-Fi que permite la comunicación con CPMS o con un sistema backend de terceros (véase 5.15).

AVISO

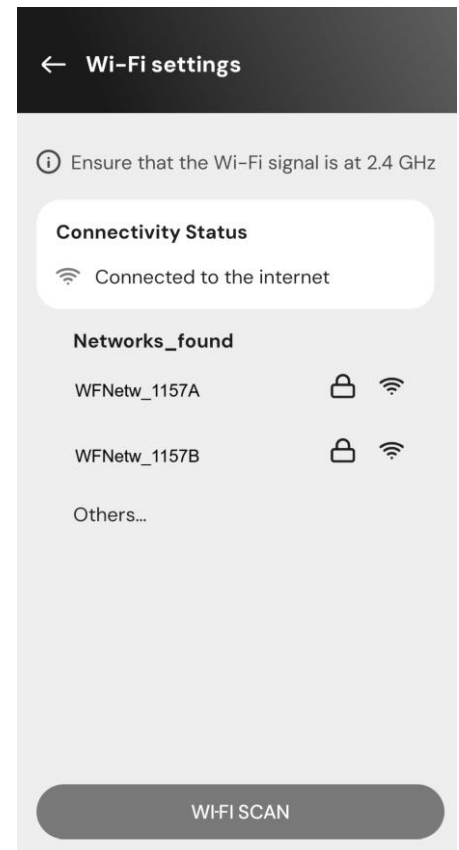
El Cargador sólo es compatible con redes Wi-Fi de 2,4 GHz. Si intentas conectarte a una red Wi-Fi de 5 GHz, no funcionará.

Procedimiento de configuración

- 1) En la página de inicio de **PowerUp**, seleccione **Configuración Wi-Fi**.
 - La página de **configuración Wi-Fi** muestra el estado de conectividad, que inicialmente es no conectado
- 2) Seleccione el botón **WI-FI SCAN** y seleccione la red Wi-Fi (o punto de acceso) que desea utilizar, a continuación, introduzca la contraseña y seleccione **Conectar**. También puede seleccionar **Otros** e introducir manualmente el nombre Wi-Fi (SSID) y la contraseña.

NOTA: Sólo verás las redes de 2,4 GHz listadas como disponibles, excluyendo otras redes incompatibles.

- Si la conexión se realiza correctamente, el estado de conectividad muestra **Conectado a Internet**.



AVISO

Para fines de servicio, puede conectar temporalmente el cargador a un punto de acceso Wi-Fi generado por cualquier smartphone, incluido el utilizado para la configuración. Compruebe la configuración del smartphone y asegúrese de que el punto de acceso Wi-Fi funciona a 2,4 GHz.

Utilice este procedimiento si el cargador está desconectado y es necesario actualizar el software.

5.5. Configuración de Ethernet

La página de **configuración de Ethernet** le permite configurar la conexión Ethernet que puede habilitar:

- Conexión a CPMS o sistema backend de terceros mediante OCPP
- Sistema de gestión de la energía mediante Modbus TCP/IP

Cuando se conecta, la comunicación Ethernet se inicia automáticamente con la configuración DHCP. Aquí puede modificar la configuración predeterminada.

Procedimiento de configuración

- La conexión Ethernet debe realizarse tal y como se describe en 4.10.

1) En la página de inicio de **PowerUp**, seleccione **Configuración de Ethernet**.

→ Aparece la página **Configuración de Ethernet**. Muestra el estado de la conexión ethernet.

2) Selecciona el modo de direccionamiento IP, que puede ser:

- **DHCP** (por defecto): Si el router local soporta el protocolo DHCP para establecer la dirección IP dinámicamente (por defecto).

NOTA: Si el Servidor DHCP no está disponible, el Cargador establece automáticamente una dirección IP estática por defecto (169.254.0.3/16). Cuando se restablece el Servidor DHCP, la configuración del cargador vuelve a ser DHCP.

- **Estática:** Los parámetros de la dirección IP se configuran manualmente. En este caso, puede especificar:

- **Dirección** (obligatoria): La dirección IP del Cargador en notación CIDR, por ejemplo 192.168.1.10/24, donde /24 indica una máscara de subred de 24 bits (255.255.255.0), dejando 8 bits para que la red IP contenga 256 direcciones IPv4, de 0 a 255.

- **Puerta de enlace** (opcional): La dirección IP de la puerta de enlace predeterminada, normalmente el router local a Internet. Por ejemplo, 192.168.1.1.

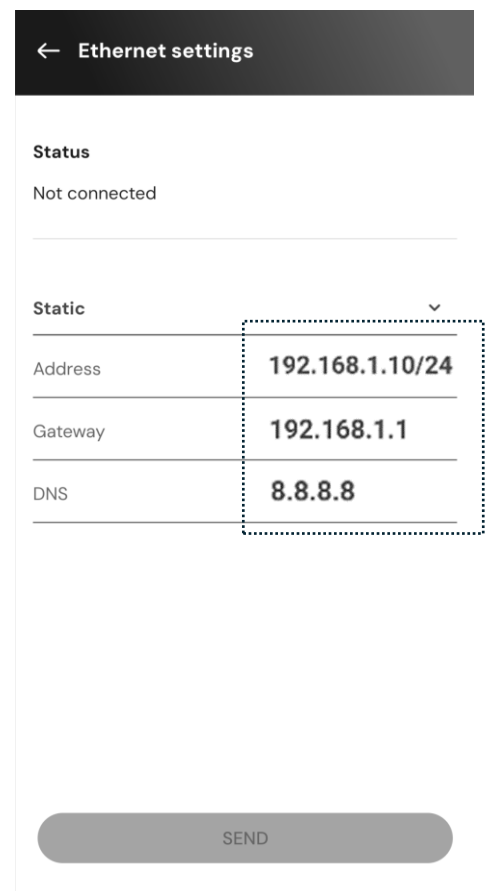
- **DNS** (opcional): La dirección IP del servidor DNS. Si no tiene previsto utilizar un servidor específico, puede introducir la dirección del servidor DNS de Google (8.8.8.8) o Cloudflare (1.1.1.1).

- **Ninguna:** La línea Ethernet está desactivada.

3) Seleccione **ENVIAR** y reinicie el Cargador desde la página de inicio para que los cambios surtan efecto. Para ahorrar tiempo, puede reiniciar más tarde después de realizar todos los cambios necesarios.

→ La configuración de OCPP se describe en 5.15.

→ La configuración de EMS se describe en 5.11.3.



← Ethernet settings	
Status	Not connected
<hr/>	
Static	▼
Address	192.168.1.10/24
Gateway	192.168.1.1
DNS	8.8.8.8
<hr/>	
SEND	

5.6. Estado

La página **Estado** muestra el estado de:

- Tarjeta SIM
- Conectividad Wi-Fi

5.7. Parámetros del cargador

La página de **parámetros del Cargador** le permite ver:

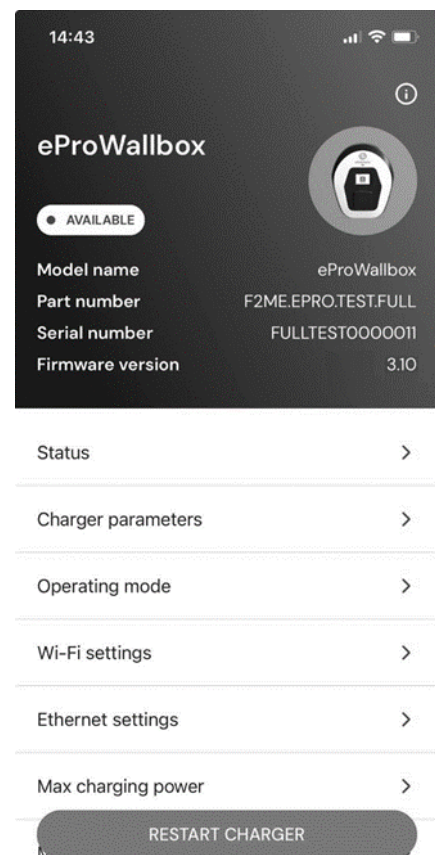
- Fecha de activación
- Alimentación eléctrica (monofásica o trifásica)
- Posición del Rotary Switch que indica la potencia máxima disponible (véase 4.6)

5.8. Versión del firmware ver y actualizar

La versión del firmware del Cargador se muestra en la página principal de PowerUp. Compruebe que la versión está contemplada en este manual (véase 1.3). Si es necesario, obtenga el manual de la versión correcta (véase 1.4).

Proceso de actualización del firmware

- El Cargador debe estar conectado a Internet a través de uno de los siguientes medios:
 - 4G LTE (sólo eProWallbox)
 - Wi-Fi
 - Ethernet
- Una vez conectado, el firmware se actualiza automáticamente a la última versión en uno o varios pasos. El proceso completo puede durar unas horas.
- La actualización real se inicia cuando el Cargador no está en uso.

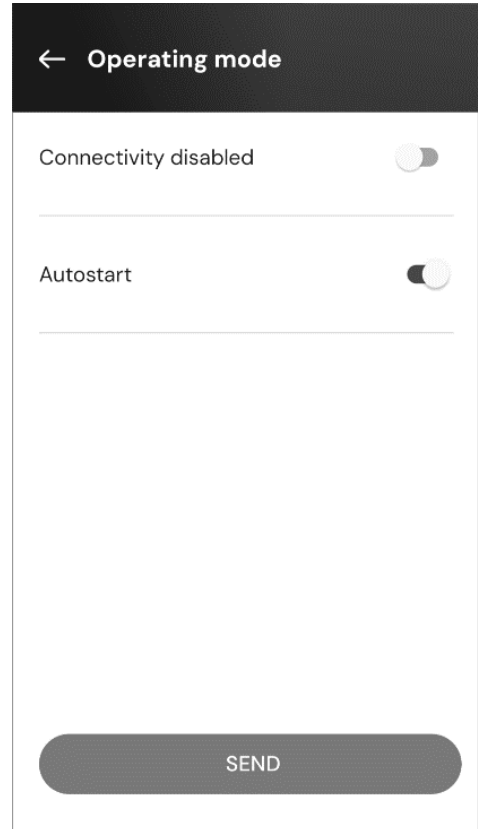


5.9. Modo de funcionamiento

La página **Modo de funcionamiento** permite configurar las opciones de conectividad y autorización.

Procedimiento de configuración

- 1) En la página de inicio de **PowerUp**, seleccione **Modo de funcionamiento**.
→ La página **Modo de funcionamiento** muestra dos parámetros para ajustar.
- 2) **Conectividad desactivada**: Seleccione si el cargador está conectado o no al CPMS.
 - **Conectividad desactivada** no configurada (por defecto): El Cargador está conectado al Sistema de Gestión de Puntos de Carga (CPMS), que permite actualizaciones de software, soporte remoto al cliente y permite a los usuarios beneficiarse de la máxima funcionalidad de la App de Usuario (ver 3.8).
 - **Conectividad desactivada** configurada: El Cargador funciona en modo autónomo y no está conectado al Sistema de Gestión de Puntos de Carga (CPMS). El usuario tiene acceso a una funcionalidad limitada en la aplicación de usuario, disponible solo a través de Bluetooth.
- 3) **Autostart**: Seleccione si se requiere autorización para cargar.
 - **Autostart** configurado (por defecto): No se requiere autorización y la sesión de carga puede iniciarse simplemente enchufando el cable de carga.
 - **Autostart** no configurado: La carga debe ser autorizada por:
 - Presentación del Charging Pass (RFID) en el Cargador (sólo modelo **eProWallbox**)
 - Autorizar la sesión desde la aplicación de usuario (véase 3.8). Solo está disponible si el Cargador está conectado a un CPMS.
- 4) Seleccione **ENVIAR** y reinicie el Cargador desde la página de inicio para que los cambios surtan efecto. Para ahorrar tiempo, puede reiniciar más tarde después de realizar todos los cambios necesarios.

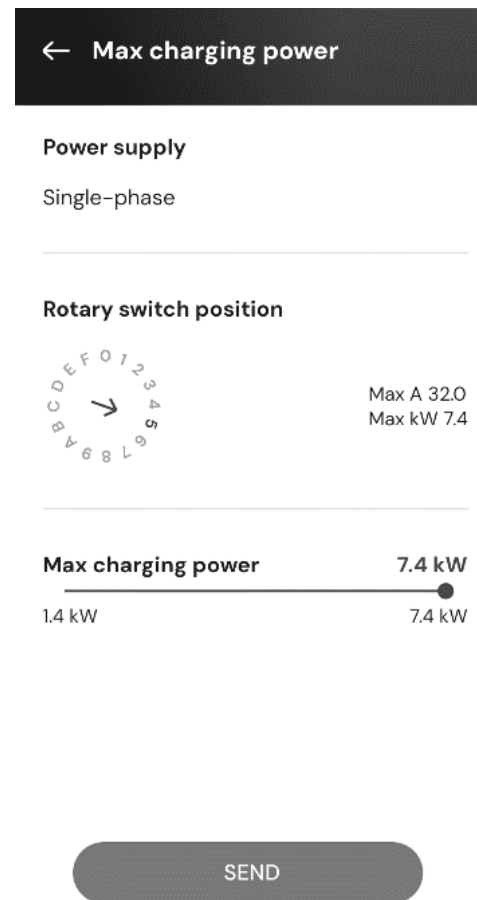


5.10. Potencia máxima de carga

La página **Potencia máxima de carga** permite reducir la potencia máxima disponible, tal y como se ha ajustado durante la instalación eléctrica con el interruptor giratorio **SW1**.

Procedimiento de configuración

- 1) En la página de inicio de **PowerUp**, selecciona **Potencia máxima de carga**.
 - La página **Potencia máxima de carga** muestra la posición del interruptor giratorio que determina el tipo de alimentación (monofásica o trifásica) y el límite máximo de potencia (véase 4.6).
- 2) Ajuste el control deslizante de **Potencia máxima de carga** para reducir el valor máximo según sea necesario.
- 3) Seleccione **ENVIAR** y reinicie el Cargador desde la página de inicio para que los cambios surtan efecto. Para ahorrar tiempo, puede reiniciar más tarde después de realizar todos los cambios necesarios.



5.11. Gestión de la energía

La página de Gestión de Energía le permite configurar la función de gestión de energía deseada, eligiendo entre:

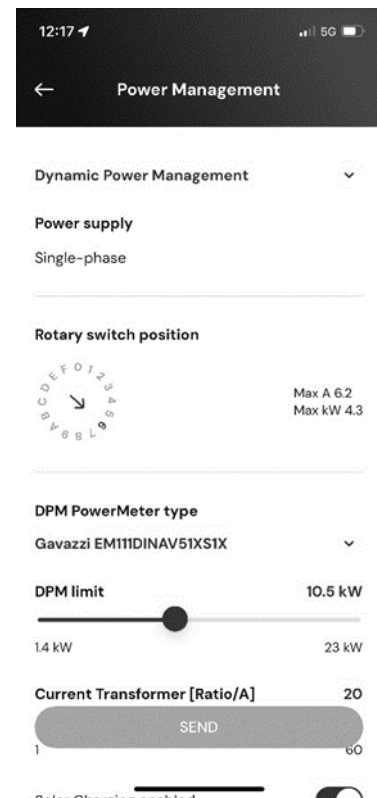
- Desactivado: todas las funciones están desactivadas
- Gestión dinámica de la energía (PowerMeter DPM)
- Principal/Satélite
- Sistema de gestión de la energía doméstica (servidor ModBus) - predeterminado de fábrica

5.11.1. Dynamic Power Management

La página **Dynamic Power Management** permite configurar las opciones de DPM.

Procedimiento de configuración

- La conexión **del PowerMeter (DPM)** debe realizarse según se describe en 4.9.1.
 - El **PowerMeter (DPM)** debe configurarse como se describe en 5.2.
- 1) En la página **Gestión de energía**, seleccione **Gestión dinámica de energía**.
 - 2) En DPM PowerMeter type, seleccione el dispositivo instalado entre los de la lista.
 - 3) En Límite DPM fije la potencia contractual. Para los modelos de DPM PowerMeter indirecto, configure la relación del transformador de corriente o el amperio.
 - 4) Si está instalado, configure la carga Solar (ver más abajo).
 - 5) Seleccione ENVIAR y reinicie el cargador desde la página de inicio para que los cambios surtan efecto. Para ahorrar tiempo, puede reiniciar más tarde después de realizar todos los cambios necesarios.



5.11.1.1. Carga solar y almacenamiento de energía

La carga solar permite integrar el cargador con un sistema solar fotovoltaico (FV) existente para maximizar el uso de fuentes de energía renovables al cargar el vehículo.

Esto sólo es posible cuando hay un PowerMeter (DPM) instalado y configurado. Para conocer la posición correcta del DPM, consulte los diagramas de 4.8.1.

En la configuración de la **Gestión Dinámica de la Energía** (véase 5.11.1):

- 1) Active la carga solar haciendo clic en el conmutador. A continuación, seleccione una de las siguientes opciones:
 - Modo híbrido: Se utilizan tanto la red como la potencia fotovoltaica.
 - Modo ecológico: Maximiza el uso de la Potencia FV.

NOTA: El modo verde puede detener temporalmente la carga si no hay suficiente energía fotovoltaica disponible.
- 2) Activar **el almacenamiento de energía**, si está disponible.

5.11.2. Principal/Satellite

La página Principal/Satélite permite configurar la Red de Cargadores M/S, donde un cargador Principal puede coordinar vía RS485 hasta cinco cargadores Satélite para un funcionamiento equilibrado según la potencia máxima disponible en el punto de conexión común.

Para configurar la Red de Cargadores M/S, en la App instaladora, debes configurar el Cargador Principal y los Cargadores Satélite como se describe a continuación.

Procedimiento de configuración del cargador principal

- La conexión Modbus RS485 debe realizarse tal como se describe en 4.9.4.
 - 1) En la página Gestión de energía, seleccione Principal/Satélite.
 - 2) Active la función.
 - 3) En Función M/S, seleccione Principal para el cargador principal.
 - 4) En **Límite de potencia del grupo**, mueva el control deslizante para establecer la potencia máxima para el conjunto de cargadores conectados en red.
 - 5) Seleccione **ENVIAR** y reinicie el Cargador desde la página de inicio para que los cambios surtan efecto. Para ahorrar tiempo, puede reiniciar más tarde después de realizar todos los cambios necesarios.

Procedimiento de configuración del Cargador satélite

- La conexión Modbus RS485 debe realizarse tal como se describe en 4.9.4.
 - 1) En la página Gestión de energía, seleccione Principal/Satélite.
 - 2) Active la función.
 - 3) En la función M/S, seleccione Satélite y un número único de 1 a 5
 - 4) Seleccione **ENVIAR** y reinicie el Cargador desde la página de inicio para que los cambios surtan efecto. Para ahorrar tiempo, puede reiniciar más tarde después de realizar todos los cambios necesarios.

5.11.3. Configuración del sistema de gestión de la energía doméstica (servidor ModBus)

El Cargador puede conectarse a un Sistema de Gestión de la Energía (SGE) o a otro dispositivo Modbus a través de Modbus RTU sobre RS485 o Modbus TCP/IP sobre Ethernet.

Esta función está activada por defecto en el menú de la aplicación.

- ➔ Las funciones HEMS se basan en Modbus tal y como se describe en la documentación de Mapas Modbus. Véase 1.4.

Procedimiento de configuración

- 1) En la página Gestión de la energía, seleccione Sistema de gestión de la energía doméstica.
- 2) En Protocolo Modbus, seleccione RTU o TCP/IP.

5.11.3.1. Modbus RTU

Procedimiento de configuración

- El cableado RS485 debe estar instalado tal y como se describe en el apartado 4.9.
- 1) Introduzca los parámetros Modbus RS485 RTU:
 - Dirección Modbus del Cargador: 1 por defecto
 - Velocidad en baudios: 115200 por defecto.
 - 4) Seleccione **ENVIAR** y reinicie el Cargador desde la página de inicio para que los cambios surtan efecto. Para ahorrar tiempo, puede reiniciar más tarde después de realizar todos los cambios necesarios.

5.11.3.2. Modbus TCP/IP

Procedimiento de configuración

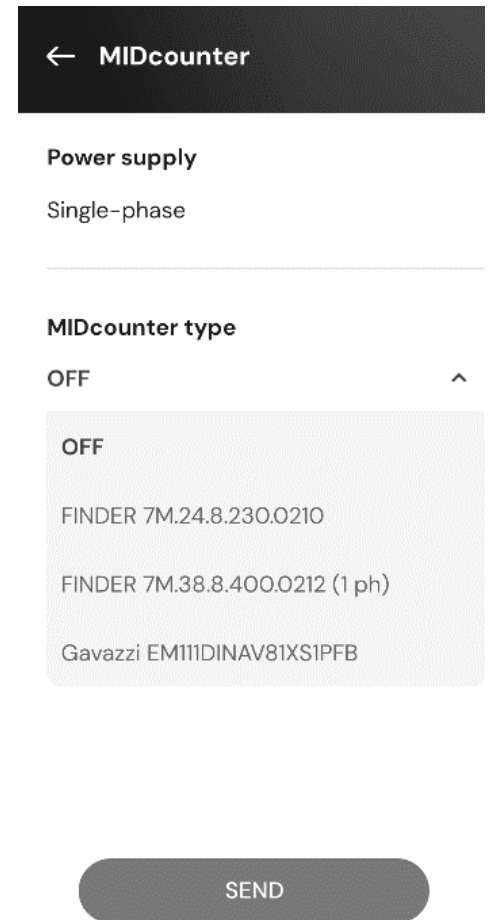
- La conexión Ethernet debe estar instalado tal y como se describe en el apartado 4.10.
- 1) Introduzca los parámetros Modbus TCP/IP:
 - **Puerto**, por defecto 502. Puede cambiarlo en caso de conflicto con otras aplicaciones.
 - **Tiempo de espera**: por defecto, 1000 mseg. Puede cambiarlo en caso de conflicto con otras aplicaciones.
 - 4) Seleccione **ENVIAR** y reinicie el Cargador desde la página de inicio para que los cambios surtan efecto. Para ahorrar tiempo, puede reiniciar más tarde después de realizar todos los cambios necesarios.

5.12. MIDcounter

Procedimiento de configuración

- La conexión **del MIDcounter** debe realizarse tal y como se describe en 4.9.2.
- **El MIDcounter** debe configurarse como se describe en 5.2.

- 1) En la página de inicio **de PowerUp**, seleccione **MIDcounter**.
- 2) En **Tipo de contador MID**, seleccione uno de los siguientes:
 - **OFF** (por defecto) si no tiene **MIDcounter** instalado.
 - El dispositivo instalado entre los de la lista.
- 3) Seleccione **ENVIAR** y reinicie el Cargador desde la página de inicio para que los cambios surtan efecto. Para ahorrar tiempo, puede reiniciar más tarde después de realizar todos los cambios necesarios.



The screenshot shows a configuration screen for the MIDcounter. At the top, there is a dark header with a back arrow and the text "MIDcounter". Below this, the "Power supply" is set to "Single-phase". The "MIDcounter type" is currently set to "OFF", with an upward arrow indicating a dropdown menu. The dropdown menu is open, showing three options: "OFF", "FINDER 7M.24.8.230.0210", and "FINDER 7M.38.8.400.0212 (1 ph)". Below the dropdown, the text "Gavazzi EM111DINAV81XS1PFB" is visible. At the bottom of the screen, there is a large, rounded "SEND" button.

5.13. Ajustes específicos por país

La página de **configuración del país** le permite establecer funcionalidades para países específicos.

AVISO

Como instalador, es su responsabilidad verificar que estas normativas siguen vigentes y comprobar cualquier normativa local adicional que pueda ser relevante para el uso de este producto en el país de instalación.

5.13.1. Desequilibrio de carga (AT, CH, DE, NL)

Desequilibrio de carga es una función de gestión de potencia para cumplir las normas de Austria, Alemania, Países Bajos y Suiza, donde el desequilibrio de corriente entre fases no debe diferir en más de un valor determinado. Esta función impide que los vehículos monofásicos tomen de la red una corriente desequilibrada superior a la exigida por la normativa local.

La función Desequilibrio de carga está desactivada (**OFF**) por defecto. Para activarla:

- 1) En la página de inicio **de PowerUp**, seleccione **Configuración del país**.
- 2) En **Carga desequilibrada**, seleccione el valor según las normas locales:
 - **20 A** para Alemania
 - **16 A** para Austria, Suiza y los Países Bajos.
- 3) Seleccione **ENVIAR** y reinicie el Cargador desde la página de inicio para que los cambios surtan efecto. Para ahorrar tiempo, puede reiniciar más tarde después de realizar todos los cambios necesarios.

5.13.2. Retraso aleatorio (Reino Unido)

Obligatoria para el Reino Unido, esta función hace que las sesiones de carga se inicien con un retardo aleatorio entre 0 y el valor seleccionado. El valor predeterminado es 10 minutos, y el valor máximo permitido es 30 minutos.

La función está desactivada por defecto. Para activarla:

- 1) En la página de inicio **de PowerUp**, seleccione **Configuración del país**.
- 2) Active **Retardo aleatorio** y ajuste el tiempo de retardo deseado (minutos y segundos).
- 3) Seleccione **ENVIAR** y reinicie el Cargador desde la página de inicio para que los cambios surtan efecto. Para ahorrar tiempo, puede reiniciar más tarde después de realizar todos los cambios necesarios.

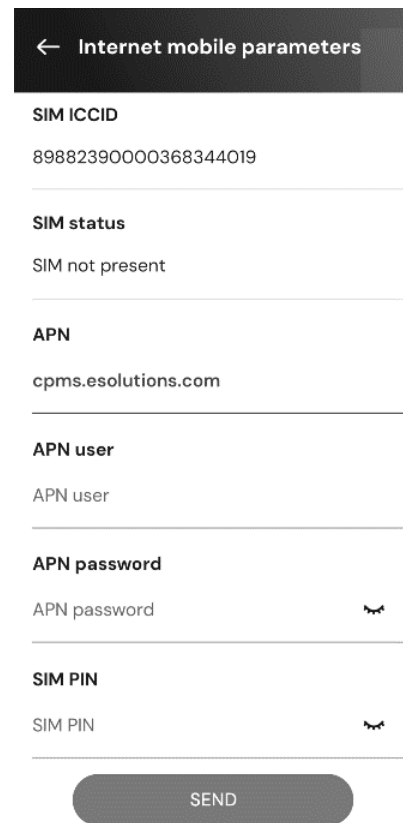
➔ Los usuarios pueden activar, desactivar y ajustar el tiempo de retardo desde la aplicación de usuario (véase 3.8).

5.14. Parámetros de Internet móvil

La página de **parámetros de Internet móvil** permite configurar los parámetros de comunicación móvil necesarios cuando se dispone de una conexión 4G LTE.

Procedimiento de configuración

- 1) En la página de inicio de **PowerUp**, selecciona **Parámetros de Internet móvil**.
→ Aparece la página de **parámetros de Internet móvil** mostrando la información de la SIM.
- 2) Introduce la siguiente información de acceso a Internet móvil:
 - **APN**, el nombre del punto de acceso proporcionado por su operador. La dirección por defecto es **cpms.esolutions.com**.
 - **Usuario APN** y **contraseña APN**, las credenciales de acceso (si son necesarias).
 - **PIN SIM**, el código de seguridad para activar tu tarjeta SIM (si es necesario).
- 3) Seleccione **ENVIAR** y reinicie el Cargador desde la página de inicio para que los cambios surtan efecto. Para ahorrar tiempo, puede reiniciar más tarde después de realizar todos los cambios necesarios.



← Internet mobile parameters

SIM ICCID
89882390000368344019

SIM status
SIM not present

APN
cpms.esolutions.com

APN user
APN user

APN password
APN password

SIM PIN
SIM PIN

SEND

5.15. Configuración del backend OCPP

Por defecto, el Cargador está configurado para conectarse a un Sistema de Gestión de Puntos de Carga (CPMS). Si es necesario, el Cargador puede conectarse a una plataforma backend de terceros utilizando el protocolo OCPP 1.6 JSON. La conexión puede realizarse a través de:

- Wi-Fi (se requiere configuración Wi-Fi, ver 5.4).
- Ethernet (es necesario configurar Ethernet, véase 5.5).
- 4G LTE (se requiere la configuración de los parámetros de Internet móvil, véase 5.14).

NOTA: 4G LTE sólo es compatible con el modelo **eProWallbox**, no está disponible en el modelo **eProWallbox Move**. Ver también 1.1.

La función admite la conexión OCPP en texto claro o cifrada mediante TLS.

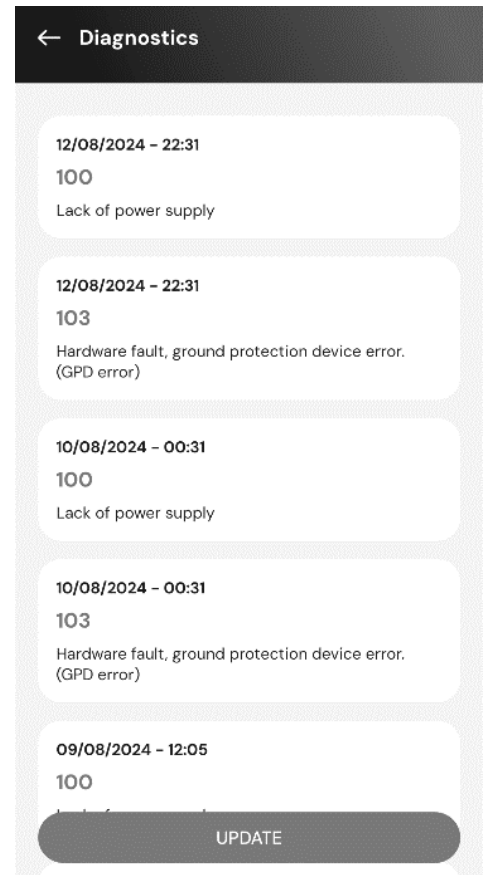
Procedimiento de configuración

- 1) En la página de inicio de **PowerUp**, seleccione **Configuración Backend OCPP**.
- 2) Seleccione de la lista desplegable la dirección CPMS deseada. El CPMS por defecto es Free2move eSolutions (`wss://ocpp.cpms.esolutionscharging.com/ocpp`)
- 3) Seleccione **ENVIAR** y reinicie el Cargador desde la página de inicio para que los cambios surtan efecto. Para ahorrar tiempo, puede reiniciar más tarde después de realizar todos los cambios necesarios.

5.16. Diagnóstico

La página **Diagnóstico** permite acceder a la lista de eventos, anomalías y errores que se han producido en el Cargador.

- 1) En la página de inicio **de PowerUp**, seleccione **Diagnósticos** para ver el registro de diagnósticos.
 - Se muestra la lista de eventos. Incluye:
 - Fecha y hora del acontecimiento
 - El código de error de 3 cifras
 - Breve descripción del acontecimiento
- 2) Utilice el código de error para solucionar problemas (consulte la sección 6).



6. SOLUCIÓN DE PROBLEMAS

Las condiciones de error se almacenan en los registros de diagnóstico y se muestran en el panel del cargador:

- En el modelo **eProWallbox Move**, la barra LED parpadea en rojo. Vea la sección **Diagnóstico** de PowerUP (5.16) o la Aplicación de Usuario para el código de error detallado.
- En el modelo **eProWallbox**, la pantalla muestra el código de error, que también está disponible en la sección **Diagnóstico** de PowerUP (5.16).

Cuando se produce un error, la carga se interrumpe y la toma se desbloquea para que puedas desconectar el enchufe.

La siguiente tabla ofrece una lista de los errores que pueden producirse y su correspondiente solución. Si el error persiste, anote el número de serie en la etiqueta del Cargador (véase 3.3) y póngase en contacto con el Servicio de Atención al Cliente (consulte la sección 9).

Código de error / Problema	Descripción del error	Solución de problemas
100	Falta de alimentación eléctrica	<ul style="list-style-type: none"> • Compruebe si el disyuntor está en ON. • Compruebe que el cableado CN1 es correcto. • Compruebe la tensión en CN1.
101	Sobrecalentamiento	<ul style="list-style-type: none"> • Desconecte el cable Tipo 2, espere a que baje la temperatura y el error desaparecerá. • Para reiniciar la sesión de carga, vuelva a enchufar el cable. • Asegúrese de que el lugar de instalación es compatible con el rango de temperatura (25°C/+50°C sin exposición directa a la luz solar).
102	Error de comunicación entre MCU y MPU.	<ul style="list-style-type: none"> • Reinicie el cargador desde el disyuntor, dejando el cargador apagado durante al menos 60 segundos.
103	Fallo de hardware, error del dispositivo de protección de tierra (error GPD)	<ul style="list-style-type: none"> • Compruebe el cableado en CN1: <ul style="list-style-type: none"> – en monofásico, asegúrese de que el cable de tierra está conectado a PE, el cable neutro a N y el cable de fase a T – en trifásico, asegúrese de que el cable de tierra está conectado a PE, el cable neutro está conectado a N y los cables de fase L1, L2 y L3 están conectados a R, S y T. • Compruebe si la diferencia de tensión entre PE y N no supera los 10 V. • Compruebe la conexión PE. • Si se comprueban todas las conexiones y el error persiste, abra el Cargador y modifique la configuración del conector del interruptor DIP (SW2), de acuerdo con 4.7.
104	Fallo de hardware, error del monitor de corriente residual AC. (Desconexión RCM AC)	<ul style="list-style-type: none"> • Intenta iniciar una nueva sesión de carga, retirando y enchufando todos los conectores. • Si el problema persiste, compruebe si hay algún problema en el cable de carga o en la toma del vehículo. • Si los cables y el EV no muestran ningún problema, compruebe el conector CN27 y el cable RCM. Véase 3.6.
105	Fallo de hardware, error del monitor de corriente residual DC. (Desconexión RCM DC)	<ul style="list-style-type: none"> • Compruebe que el problema no está en el cable o en el vehículo. Si es posible, prueba otra sesión de carga con otro cable o vehículo.
106	Error interno del Contador	<ul style="list-style-type: none"> • Reinicie el cargador desde el disyuntor, dejando el cargador apagado durante al menos 60 segundos.

Código de error / Problema	Descripción del error	Solución de problemas
107	Error de comunicación PowerMeter (DPM)	<ul style="list-style-type: none"> • Compruebe que la configuración de comunicación en el dispositivo DPM PowerMeter es correcta. Véase 5.2. • Compruebe que la configuración del modelo DPM en la aplicación de instalación es correcta. Véase 5.11. • Compruebe el cableado del cable de comunicación en CN12. Véase 4.9. • Compruebe que el cable de comunicación utilizado es adecuado para Modbus RS485 y la longitud del cable. Consulte 4.9.
108	Error de configuración, la posición del Rotary Switch (tipo de alimentación) no coincide con el tipo de DPM/ MID	<ul style="list-style-type: none"> • Compruebe la posición del Rotary Switch. Si no es coherente con la instalación 1-f/3-f, cámbiela según la tabla del manual y, a continuación, reinicie el cargador. • Si los accesorios (DPM/MID) no están instalados, asegúrese de que la función está desactivada en la App instaladora. Véase 5.11 y 5.11.2. • Si los accesorios (DPM/MID) están instalados, compruebe que se ha seleccionado el modelo correcto en la aplicación de instalación (véase 5.11 y 5.11.2). A continuación, reinicie el cargador.
109	Error de comunicación RS485 principal/satélite	<ul style="list-style-type: none"> • Compruebe la configuración de la Red M/S configurada desde el instalador App. • Compruebe que el Cargador principal está disponible. • Compruebe que el cableado del cable de comunicación en CN9 y CN10 es correcto. Véase 4.9.4. • Compruebe que el cable de comunicación utilizado es adecuado para Modbus RS485.
110	Error de comunicación MIDcounter	<ul style="list-style-type: none"> • Compruebe que la configuración de comunicación en el dispositivo MIDcounter es correcta. Consulte 5.2. • Compruebe el cableado del cable de comunicación en CN12. Véase 4.9. • Compruebe que el cable de comunicación utilizado es adecuado para Modbus RS485. • Compruebe que la configuración del modelo MID en la aplicación de instalación es correcta. Consulte 5.11.2.
112	Error de configuración del relé	<ul style="list-style-type: none"> • Póngase en contacto con el servicio de atención al cliente.
113	Lector RFID desconectado	<ul style="list-style-type: none"> • Verifique la conexión del cable entre el lector RFID (véase apartado 3.6 - número 9) y el conector CN11 de la placa base. A continuación, reinicie el cargador.
114		
115	Tarjeta 4G/LTE desconectada	<ul style="list-style-type: none"> • Verifique la correcta conexión entre la placa 4G/LTE (ver sección 3.6 - número 4) y el conector CN8 de la placa principal. A continuación, reinicie el cargador.
116	Pantalla desconectada	<ul style="list-style-type: none"> • Verifique la conexión entre el cable plano de la pantalla y el conector CN25 de la placa base. A continuación, reinicie el cargador.
118	Fallo de la tarjeta Wi-Fi	<ul style="list-style-type: none"> • Póngase en contacto con el servicio de atención al cliente.
119	Fallo de la tarjeta BLE	<ul style="list-style-type: none"> • Póngase en contacto con el servicio de atención al cliente.
300	Incoherencia entre la orden del contactor del cargador y la realimentación	<ul style="list-style-type: none"> • Reinicie el cargador desde el disyuntor, dejando el cargador apagado durante al menos 60 segundos. • Si el error persiste después de reiniciar, llame al Servicio de Atención al Cliente.
301	Cortocircuito detectado en la línea del Piloto de Control.	<ul style="list-style-type: none"> • Con el cargador apagado, compruebe que no hay daños ni defectos dentro y fuera de la toma (si es así, evite utilizar el cargador y póngase en contacto con el Servicio de Atención al Cliente (consulte la sección 9). • Compruebe que el problema no está relacionado con el cable o el vehículo e intente otra sesión de carga (con otro vehículo o cable si es posible).
302	Estado E o F ajustado en la línea Piloto de Control.	<ul style="list-style-type: none"> • Con el cargador apagado, compruebe que no hay daños ni defectos dentro y fuera del cable y sus conectores (si es así, evite utilizarlo e intente la carga con otro cable). • Compruebe que los conectores de los cables están totalmente introducidos en la toma del cargador y en la entrada del vehículo. • Compruebe que el problema no está relacionado con el cable o el vehículo e intente otra sesión de carga (con otro vehículo o cable si es posible).
303	Piloto de control desconectado.	
304	Piloto de proximidad desconectado.	

Código de error / Problema	Descripción del error	Solución de problemas
305	Piloto de proximidad roto detectado.	
306	Fallo de diodo detectado en la línea Control Pilot (sin -12V).	<ul style="list-style-type: none"> • Intente una nueva sesión de carga desenchufando y volviendo a enchufar el cable tanto del cargador como de la entrada del vehículo.
307	Piloto de control desconectado.	<ul style="list-style-type: none"> • Con el cargador apagado, compruebe que no hay daños ni defectos dentro y fuera del cable y sus conectores (si es así, evite utilizarlo e intente la carga con otro cable). • Compruebe que los conectores de los cables están totalmente introducidos en la toma del cargador y en la entrada del vehículo. • Compruebe que el problema no está relacionado con el cable o el vehículo e intente otra sesión de carga (con otro vehículo o cable si es posible).
308	Inconsistencia entre el comando del motor y la realimentación, o el motor está en una condición de error.	<ul style="list-style-type: none"> • Intente una nueva sesión de carga desenchufando y volviendo a enchufar el cable tanto del cargador como de la entrada del vehículo. • Compruebe que los conectores de los cables están totalmente introducidos en la toma del cargador y en la entrada del vehículo.
309	309 Error de comprobación del motor durante la fase de inicialización del EVSE.	<ul style="list-style-type: none"> • Reinicie el cargador desde el disyuntor, dejando el cargador apagado durante al menos 60 segundos.
310	Error detectado antes de la carga (PP no detectado, o fallo del motor, o CP no detectado).	<ul style="list-style-type: none"> • Con el cargador apagado, compruebe que no hay daños ni defectos dentro y fuera del cable y sus conectores (si es así, evite utilizarlo e intente la carga con otro cable). • Compruebe que los conectores de los cables están totalmente introducidos en la toma del cargador y en la entrada del vehículo.
311	Error detectado después de la carga (fallo del motor, o CP no desconectado).	<ul style="list-style-type: none"> • Compruebe que el problema no está relacionado con el cable o el vehículo e intente otra sesión de carga (con otro vehículo o cable si es posible).
312	Parada de emergencia recibida de la MPU.	<ul style="list-style-type: none"> • Reinicie el cargador desde el disyuntor, dejando el cargador apagado durante al menos 60 segundos.
313	Corriente detectada durante la carga, con un ciclo de trabajo del 100% en la línea Piloto de Control.	<ul style="list-style-type: none"> • Compruebe que el problema no está relacionado con el cable ni con el vehículo, intente una nueva sesión de carga con otro cable y/o cargador.
315	Sobreintensidad en la fase L1	<ul style="list-style-type: none"> • Desenchufe el cable, si es posible baje la potencia de carga del lado del vehículo e intente una nueva sesión de carga. • Si es posible, recargue con otro vehículo. Si la alarma no aparece, el problema puede estar en el vehículo. Póngase en contacto con su concesionario.
316	Sobreintensidad en la fase L2	
317	Sobreintensidad en la fase L3	
318	Tensión por debajo de un umbral en la fase L1	<ul style="list-style-type: none"> • Compruebe que la posición del Rotary Switch se corresponde con la instalación de 1-f/3-f. Véase 4.6. • Compruebe que la tensión en CN1-T es superior a 196 V. • Si la tensión es inferior a 196 V, compruebe el sistema eléctrico o póngase en contacto con el proveedor de energía.
319	Tensión por debajo de un umbral en la fase L2	<ul style="list-style-type: none"> • El Rotary Switch está en posición trifásica. Compruebe que la instalación prevista es trifásica. Si no es así, seleccione la posición correcta del Rotary Switch según el manual de instalación.

Código de error / Problema	Descripción del error	Solución de problemas
320	Tensión por debajo de un umbral en la fase L3	<ul style="list-style-type: none"> • Compruebe que la tensión en CN1-S es superior a 196 V. Si la tensión es inferior a 196 V, compruebe la instalación eléctrica o póngase en contacto con el proveedor de energía. • Si se produce un error durante la carga del vehículo, intente reducir la potencia de carga configurada y verifique que el sistema eléctrico está correctamente dimensionado para la potencia consumida por el vehículo.
321	Error de comunicación entre el cargador y el vehículo	<ul style="list-style-type: none"> • Actualice el Firmware del cargador (FW versión 3.10.0 y superior) • Si el error persiste, póngase en contacto con el fabricante del vehículo (el VE no cumple las normas IEC 61851-1 para iniciar una sesión de carga).
	Pantalla/LED atascado en modo Bienvenida (el LED parpadea en rojo-verde-azul).	<ul style="list-style-type: none"> • Reinicie el cargador desde el disyuntor, dejando el cargador apagado durante al menos 60 segundos.
	El LED o la pantalla no se encienden al arrancar	
	El Cargador no arranca	<ul style="list-style-type: none"> • Deje que la unidad se reinicie, puede tardar hasta 30 segundos. • Compruebe si el disyuntor está en ON. • Compruebe que el cableado CN1 es correcto. • Compruebe la tensión en CN1. • Reinicie el cargador desde el disyuntor, dejando el cargador apagado durante al menos 60 segundos.
	Cable atascado en la toma del cargador	<ul style="list-style-type: none"> • Desconecte el cargador del disyuntor y, a continuación, retire el cable.
	Carga suspendida con LED/mensaje verde fijo en la pantalla. La sesión de carga ha sido suspendida por el DPM o el VE. La sesión puede reanudarse.	<ul style="list-style-type: none"> • Verifique que la potencia máxima en la sección de límite de potencia DPM de la App del instalador coincide con el valor de potencia contratada en kW indicado en el contrato de electricidad del usuario. Si el valor es correcto, espere a que se reanude la sesión de carga o apague algunas cargas domésticas. • En caso de instalación trifásica, verifique que las cargas eléctricas estén bien equilibradas en las fases del sistema doméstico.
	El emparejamiento de la aplicación no se completa después de escanear el QR.	<ul style="list-style-type: none"> • Compruebe la integridad del código QR de la etiqueta. • Actualice la aplicación a la última versión. • Cierre la aplicación, reiniciela y vuelva a intentarlo. • Reinicie el cargador desde el disyuntor, dejando el cargador apagado durante al menos 60 segundos.

7. LIMPIEZA

Se recomienda limpiar el exterior del Cargador siempre que sea necesario, utilizando un paño suave humedecido con un detergente suave. Cuando termine, limpie cualquier rastro de humedad o líquido con un paño suave y seco.



PRECAUCIÓN

Evite chorros

fuertes de

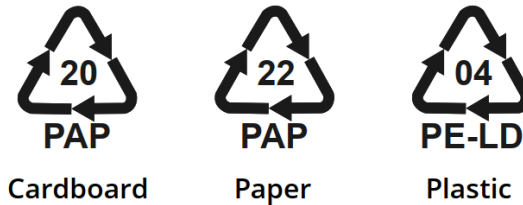
aire o agua y utilice detergentes con PH entre 7 y 9. Evite utilizar limpiadores muy ácidos (pH < 6) o muy alcalinos (pH > 10), ya que pueden dañar el plástico o decolorarlo con el tiempo.

8. ELIMINACIÓN

8.1. Eliminación de envases

Elimine el embalaje de forma responsable con el medio ambiente. Los materiales de embalaje son reciclables y deben eliminarse de acuerdo con la normativa local.

Siga las instrucciones de eliminación indicadas en los materiales de embalaje:



8.2. Eliminación de productos

El Cargador contiene componentes electrónicos, cableado y materiales que no deben tirarse a la basura normal. En su lugar, debe desechar el dispositivo en un centro de reciclaje equipado para manipular y reciclar residuos electrónicos (RAEE).

La eliminación de residuos electrónicos, incluidos los cargadores de VE, suele estar sujeta a normativas locales que debe cumplir para evitar problemas legales y daños medioambientales.

9. ASISTENCIA

Si tiene alguna pregunta sobre el uso del producto, necesita más información o tiene solicitudes de asistencia, póngase en contacto con el Servicio de Atención al Cliente:

Consulte el sitio web de Free2move eSolutions:

https://www.esolutions.free2move.com/eu/en_it/contact-us/

Cuando se ponga en contacto con el Servicio de Atención al Cliente, tenga a mano la siguiente información:

- Nombre del modelo (véase 1.1)
- Número de serie (véase 3.3)
- Nombre del instalador e información de la factura de compra.